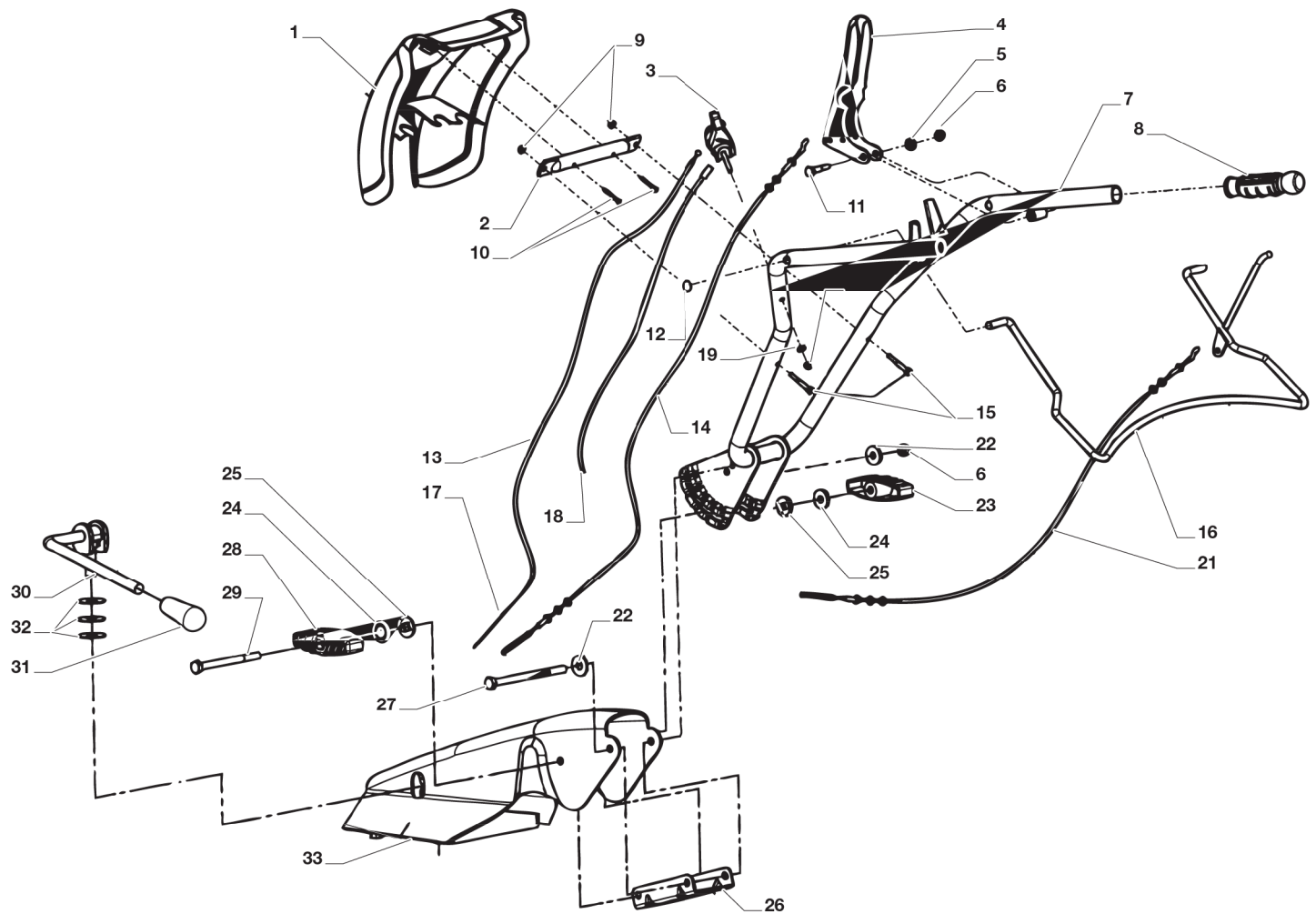


360 G	500-G	40-G	50-G	75-G	82 R-HX	87 B	TAVOLA 1	2009
	500 R-G	40 R-G	50-H	75 R-B			TABLE 1	1501.0
			50 R-B	75 R-H			TABLEAU 1	1 / 2
				75 R-HX			TAFEL 1	



N.	CODE	Q.TY	DESCRIZIONE	DESCRIPTION	DESCRIPTION	BESCHREIBUNG
1	1483-2182-01	1	Mascherina, Gialla	Mask, Yellow	Mesque, Jaune	Maske, Gelb
1	1483-2182-02	1	Mascherina, Rossa	Mask, Red	Mesque, Rouge	Maske, Rot
2	1483-2180-01	1	Staffa	Bracket	Support	Schelle
3	1483-2278-01	1	Leva, Acceleratore	Lever, Throttle	Levier, Accelérateur	Hebel, Beschleuniger
4	1483-2204-01	1	Leva	Lever	Levier	Hebel
5	9699-0028-02	1	Rosetta	Washer	Rondelle	Scheibe
6	9747-0831-02	2	Dado	Nut	Ecrou	Mutter
7	1483-2248-01	1	Manico	Handle	Mancheron	Holm
8	1483-2213-01	2	Impugnatura	Handgrip	Poignée	Handgriff
9	9747-0631-02	2	Dado	Nut	Ecrou	Mutter
10	1483-2200-01	2	Vite	Screw	Vis	Schraube
11	9997-0845-12	1	Vite	Screw	Vis	Schraube
12	9672-0004-02	2	Rosetta	Washer	Rondelle	Scheibe
13	1483-2116-01	1	Filo	Cable	Fil	Kabel
14	1483-2246-01	1	Guaina Cavi	Wire Sheath	Gaine Câbles	Kabelmantel
15	9997-0635-12	2	Vite	Screw	Vis	Schraube
16	1483-2244-01	1	Leva	Lever	Levier	Hebel
17	1483-2208-01	1	Filo	Cable	Fil	Kabel
18	1483-2211-01	1	Filo	Wire	Fil	Kabel
19	9683-0025-02	1	Rosetta	Washer	Rondelle	Scheibe
20	9747-0631-02	1	Dado	Nut	Ecrou	Mutter
21	1483-2247-01	1	Filo	Cable	Fil	Kabel
22	9699-0122-02	2	Rosetta	Washer	Rondelle	Scheibe
23	1483-2006-01	1	Manopolina	Knob	Poignée	Griff
24	9699-0122-02	2	Rosetta	Washer	Rondelle	Scheibe
25	1483-2245-01	2	Rosetta	Washer	Rondelle	Scheibe
26	1483-2046-01	1	Rinforzo	Stiffening	Renforcement	Verstärkung
27	9997-0811-02	1	Vite	Screw	Vis	Schraube
28	1483-2045-01	1	Manopolina	Knob	Poignée	Griff
29	9997-0812-02	1	Vite	Screw	Vis	Schraube
30	1483-2044-01	1	Leva	Lever	Levier	Hebel





2009

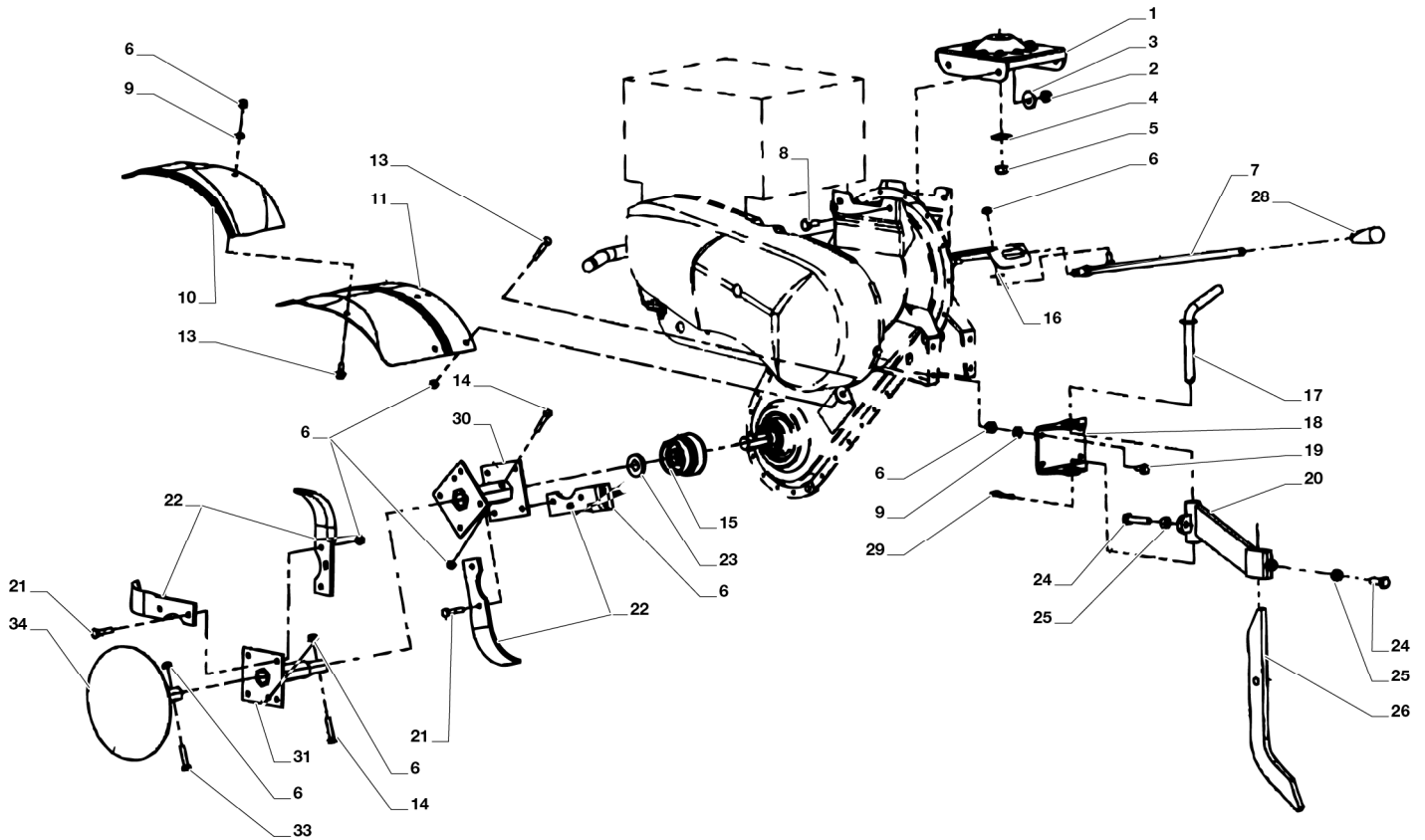
1501.0

2 / 2

N.	CODE	Q.TY	DESCRIZIONE	DESCRIPTION	DESCRIPTION	BESCHREIBUNG
31	1483-2279-01	1	Impugnatura	Handgrip	Branche	Griff
32	1483-2073-01	3	Rosetta	Washer	Rondelle	Scheibe
33	1483-2243-01	1	Supporto Giallo	Support Yellow	Support Jaune	Halter Gelb
33	1483-2243-02	1	Supporto Rosso	Support Red	Support Rouge	Halter Rot



360 G	500-G	40-G	50-G	75-G	82 R-HX	87 B	TAVOLA 2	2009
	500 R-G	40 R-G	50-H	75 R-B			TABLE 2	1502.0
			50 R-B	75 R-H			TABLEAU 2	1 / 2
				75 R-HX			TAFEL 2	



N.	CODE	Q.TY	DESCRIZIONE	DESCRIPTION	DESCRIPTION	BESCHREIBUNG
1	1483-2242-01	1	Supporto Giallo	Support Yellow	Support Jaune	Halter Gelb
1	1483-2242-02	1	Supporto Rosso	Support Red	Support Rouge	Halter Rot
2	9747-1031-02	4	Dado	Nut	Ecrou	Mutter
3	9699-0105-02	4	Rosetta	Washer	Rondelle	Scheibe
4	9699-0121-02	1	Rosetta	Washer	Rondelle	Scheibe
5	9747-1231-02	1	Dado	Nut	Ecrou	Mutter
6	9747-0831-02	45	Dado	Nut	Ecrou	Mutter
7	1483-2238-01	1	Asta	Rod	Tige	Stab
8	9997-1025-16	4	Vite	Screw	Vis	Schraube
9	9699-0028-02	4	Rosetta	Washer	Rondelle	Scheibe
10	1483-2171-01	1	Piastra Destra Gialla	Plate, Right Yellow	Plaque Droite Jaune	Platte, Rechte Gelb
10	1483-2171-02	1	Piastra Destra Rossa	Plate, Right Red	Plaque Droite Rouge	Platte, Rechte Rot
10	1483-2172-01	1	Piastra Sinistra Gialla	Plate, Left Yellow	Plaque Gauche Jaune	Platte, Linke Gelb
10	1483-2172-02	1	Piastra Sinistra Rossa	Plate, Left Red	Plaque Gauche Rouge	Platte, Linke Rot
11	1483-2255-01	1	Piastra Destra Gialla	Plate, Right Yellow	Plaque Droite Jaune	Platte, Rechte Gelb
11	1483-2255-02	1	Piastra Destra Rossa	Plate, Right Red	Plaque Droite Rouge	Platte, Rechte Rot
11	1483-2256-01	1	Piastra Sinistra Gialla	Plate, Left Yellow	Plaque Gauche Jaune	Platte, Linke Gelb
11	1483-2256-02	1	Piastra Sinistra Rossa	Plate, Left Red	Plaque Gauche Rouge	Platte, Linke Rot
13	9959-0816-16	10	Vite	Screw	Vis	Schraube
14	9997-0845-12	4	Vite	Screw	Vis	Schraube
15	1483-2241-01	2	Disco Parapolvere	Dust Cover	Protege-Poussiere	Staubschuttscheibe
16	9699-0122-02	2	Rosetta	Washer	Rondelle	Scheibe
17	1483-2202-01	1	Perno	Pin	Pivot	Bolzen
18	1483-2249-01	1	Staffa Gialla	Bracket Yellow	Support Jaune	Schelle Gelb
18	1483-2249-02	1	Staffa Rossa	Bracket Red	Support Rouge	Schelle Rot
19	9959-0820-16	4	Vite	Screw	Vis	Schraube
20	1483-2250-01	1	Supporto Giallo	Support Yellow	Support Jaune	Halter Gelb
20	1483-2250-02	1	Supporto Rosso	Support Red	Support Rouge	Halter Rot
21	9997-0825-16	24	Vite	Screw	Vis	Schraube
22	1483-2259-01	12	Fresa Destra	Right Tine	Dent Droite	Rechte Zinke
22	1483-2260-01	12	Fresa Sinistra	Left Tine	Dent Gauche	Linke Zinke

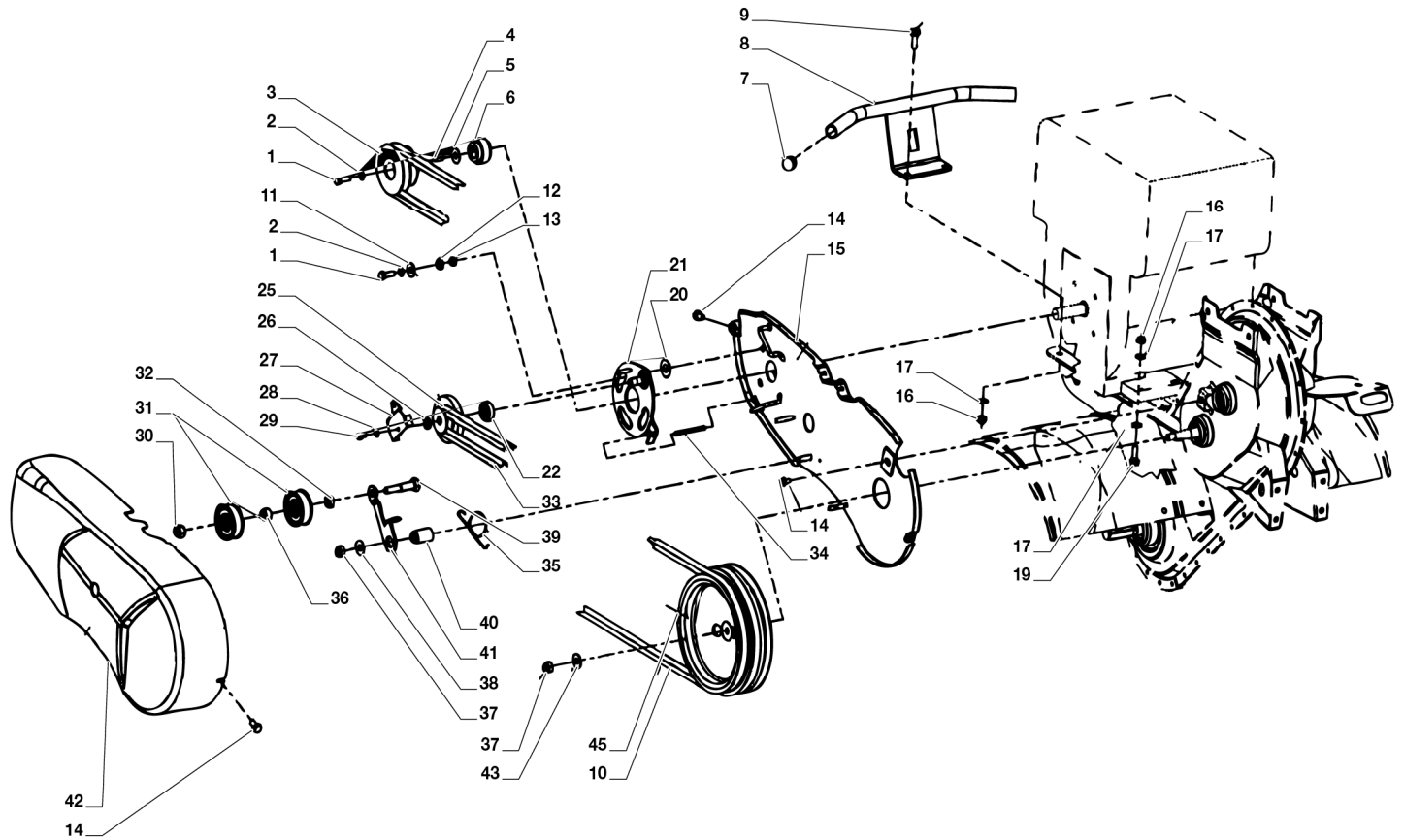




N.	CODE	Q.TY	DESCRIZIONE	DESCRIPTION	DESCRIPTION	BESCHREIBUNG
23	1483-2261-01	2	Disco Parapolvere	Dust Cover	Protege-Poussiere	Staubschutscheibe
24	9997-1030-16	3	Vite	Screw	Vis	Schraube
25	9799-1031-02	3	Dado	Nut	Ecrou	Mutter
26	1483-2251-01	1	Leva Gialla	Lever Yellow	Levier Jaune	Hebel Gelb
26	1483-2251-02	1	Leva Rossa	Lever Red	Levier Rouge	Hebel Rot
28	1483-2279-01	1	Impugnatura	Handgrip	Branche	Griff
29	9598-0002-02	1	Coppiglia	Cotter Pin	Goupille	Split
30	1483-2258-01	2	Staffa	Clamp	Etrier	Bride
31	1483-2205-01	2	Staffa	Clamp	Etrier	Bride
33	9997-0840-16	2	Vite	Screw	Vis	Schraube
34	1483-2257-01	2	Disco	Disc	Disque	Scheibe



360 G	500-G	40-G	50-G	75-G	82 R-HX	87 B	2009
	500 R-G	40 R-G	50-H	75 R-B			1503.0
			50 R-B	75 R-H			1 / 2
							TAVOLA 3 TABLE 3 TABLEAU 3 TAFEL 3



N.	CODE	Q.TY	DESCRIZIONE	DESCRIPTION	DESCRIPTION	BESCHREIBUNG
1	1483-2283-01	4	Vite	Screw	Vis	Schraube
2	9699-0028-02	4	Rosetta	Washer	Rondelle	Scheibe
3	1483-2270-01	1	Puleggia	Pulley	Poulie	Riemenscheibe
4	1483-2219-01	1	Chiavetta	Key	Clavette	Keil
5	1483-2117-01	1	Distanziale	Spacer	Entretoise	Distanzring
6	1483-2266-01	1	Corona	Ring Gear	Couronne	Kranz
7	1483-2209-01	2	Tappo	Cap	Bouchon	Gummistopfen
8	1483-2218-01	1	Protezione	Protection	Protection	Schutz
9	9959-0820-16	2	Vite	Screw	Vis	Schraube
10	1483-2264-01	1	Cinghia	Belt	Courroie	Riemen
11	9699-0122-02	3	Rosetta	Washer	Rondelle	Scheibe
12	1483-2269-01	3	Distanziale	Spacer	Entretoise	Distanzring
13	1483-2216-01	3	Rosetta	Washer	Rondelle	Scheibe
14	9959-0816-16	3	Vite	Screw	Vis	Schraube
15	1483-2265-01	1	Piastra Gialla	Plate Yellow	Plaque Jaune	Platte Gelb
15	1483-2265-02	1	Piastra Rossa	Plate Red	Plaque Rouge	Platte Rot
16	9747-0831-02	6	Dado	Nut	Ecrou	Mutter
17	9699-0028-02	8	Rosetta	Washer	Rondelle	Scheibe
19	9997-0835-12	2	Vite L = 35 mm	Screw L = 35 mm	Vis L = 35 mm	Schraube L = 35 mm
19	9997-0840-16	2	Vite L = 40 mm	Screw L = 40 mm	Vis L = 40 mm	Schraube L = 40 mm
20	1483-2217-01	3	Distanziale	Spacer	Entretoise	Distanzring
21	1483-2267-01	1	Flangia	Flange	Bride	Nabe
22	9549-0001-00	1	Cuscinetto	Bearing	Roulement	Kuegellager
25	1483-2175-01	1	Ruota Dentata	Sprocket	Couronne	Zahnkettenrad
26	1483-2145-01	1	Distanziale	Spacer	Entretoise	Distanzring
27	1483-2147-01	1	Staffa	Bracket	Support	Schelle
28	9683-0025-02	1	Rosetta	Washer	Rondelle	Scheibe
29	9997-0612-16	1	Vite	Screw	Vis	Schraube
30	9747-1231-02	1	Dado	Nut	Ecrou	Mutter
31	1483-2004-01	2	Puleggia	Pulley	Poulie	Riemenscheibe
32	1483-2089-01	1	Distanziale	Spacer	Entretoise	Distanzring

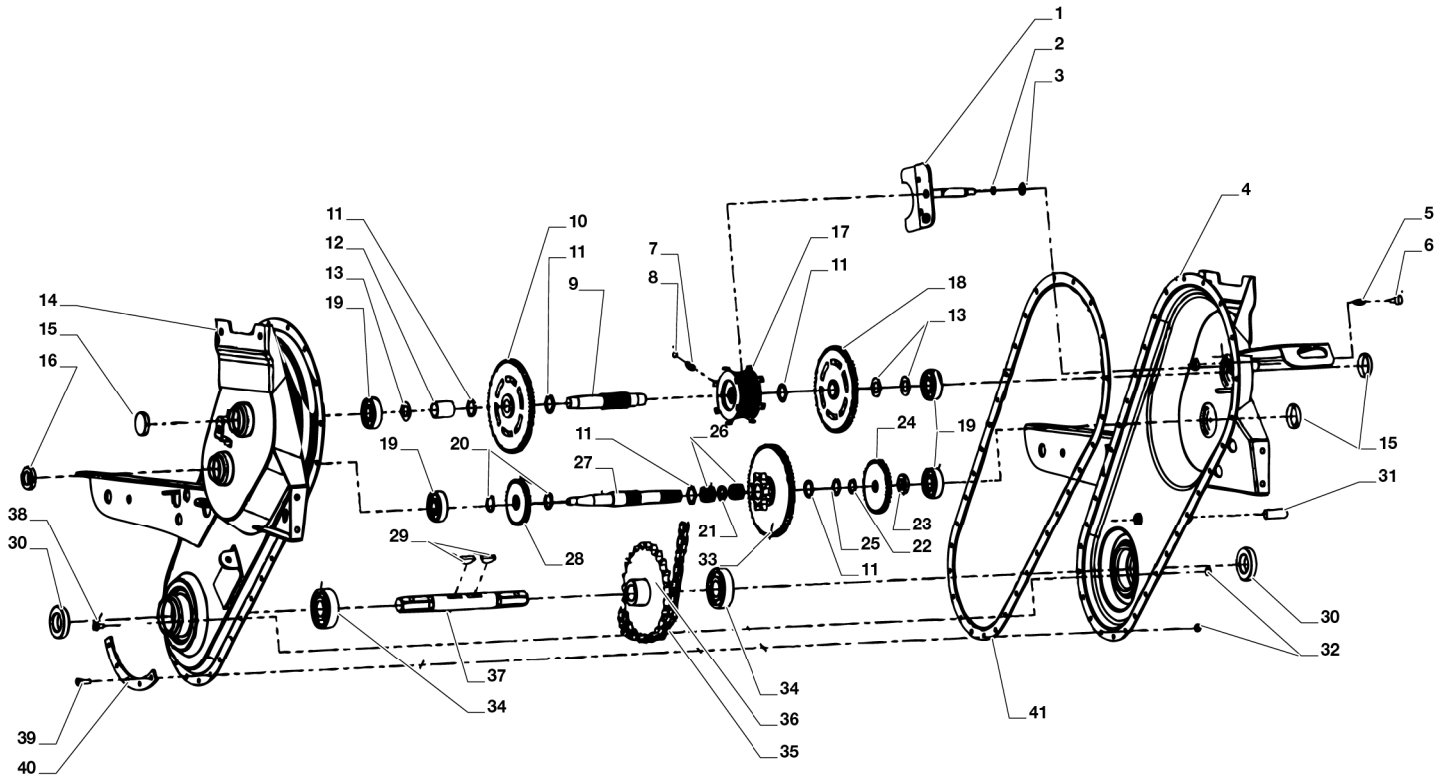




N.	CODE	Q.TY	DESCRIZIONE	DESCRIPTION	DESCRIPTION	BESCHREIBUNG
33	1483-2263-01	1	Cinghia	Belt	Courroie	Riemen
34	1483-2207-01	1	Molla	Spring	Ressort	Feder
35	1483-2157-01	1	Molla	Spring	Ressort	Feder
36	1483-2215-01	1	Distanziale	Spacer	Entretoise	Distanzring
37	9747-1031-02	2	Dado	Nut	Ecrou	Mutter
38	1483-2020-01	1	Distanziale	Spacer	Entretoise	Distanzring
39	1483-2284-01	1	Vite	Screw	Vis	Schraube
40	1483-2268-01	1	Distanziale	Spacer	Entretoise	Distanzring
41	1483-2214-01	1	Leva	Lever	Levier	Hebel
42	1483-2239-01	1	Copertura	Cover	Couvre	Kappe
43	9699-0105-02	1	Rosetta	Washer	Rondelle	Scheibe
45	1483-2262-01	1	Puleggia	Pulley	Poulie	Riemenscheibe



360 G	500-G	40-G	50-G	75-G	82 R-HX	87 B	2009
	500 R-G	40 R-G	50-H	75 R-B			1504.0
			50 R-B	75 R-H			1 / 2
							TAVOLA 4 TABLE 4 TABLEAU 4 TAFEL 4



N.	CODE	Q.TY	DESCRIZIONE	DESCRIPTION	DESCRIPTION	BESCHREIBUNG
1	1483-2237-01	1	Piastrina	Plate	Plaque	Platte
2	1483-2275-01	1	Anello Or	O Ring	O Ring	O Ring
3	9650-0012-04	1	Anello Seeger	Ring	Circlip	Ring
4	1483-2220-01	1	Carter Destro, Giallo	Right Housing, Yellow	Carter Droite, Jaune	Rechte Blech, Gelb
4	1483-2220-02	1	Carter Destro, Rosso	Right Housing, Red	Carter Droite, Rouge	Rechte Blech, Rot
5	1483-2222-01	1	Molla	Spring	Ressort	Feder
6	1483-2212-01	1	Tappo	Cap	Bouchon	Gummistopfen
7	1483-2201-01	2	Molla	Spring	Ressort	Feder
8	1483-2281-01	2	Grano	Dowel	Grain	Stift
9	1483-2232-01	1	Albero	Shaft	Arbre	Welle
10	1483-2235-01	1	Corona Z71	Ring Gear Z71	Couronne Z71	Kranz Z71
11	1483-2117-01	5	Distanziale	Spacer	Entretoise	Distanzring
12	1483-2236-01	1	Distanziale	Spacer	Entretoise	Distanzring
13	1483-2210-01	3	Distanziale	Spacer	Entretoise	Distanzring
14	1483-2221-01	1	Carter Sinistro, Giallo	Left Housing, Yellow	Carter Gauche, Jaune	Linker Blech, Gelb
14	1483-2221-02	1	Carter Sinistro, Rosso	Left Housing, Red	Carter Gauche, Rouge	Linker Blech, Rot
15	1483-2272-01	3	Tappo	Cap	Bouchon	Gummistopfen
16	1483-2274-01	1	Guarnizione	Oil Seal	Garniture	Dichtung
17	1483-2234-01	1	Corona Z34	Ring Gear Z34	Couronne Z34	Kranz Z34
18	1483-2233-01	1	Corona Z65	Ring Gear Z65	Couronne Z65	Kranz Z65
19	1483-2192-01	4	Cuscinetto	Bearing	Roulement	Kuegellager
20	1483-2271-01	2	Seeger	Seeger	Seeger	Seeger
21	1483-2231-01	1	Distanziale	Spacer	Entretoise	Distanzring
22	9650-0017-04	1	Anello Elastico	Snap Ring	Anneau Ressort	Sprengring
23	1483-2203-01	1	Distanziale	Spacer	Entretoise	Distanzring
24	1483-2230-01	1	Corona Z40	Ring Gear Z40	Couronne Z40	Kranz Z40
25	9650-0019-04	1	Anello Elastico	Snap Ring	Anneau Ressort	Sprengring
26	1483-2276-01	2	Gabbia A Rulli	Needle Bearing	Cage A Roulements	Walzenkäfig
27	1483-2227-01	1	Albero	Shaft	Arbre	Welle
28	1483-2228-01	1	Corona Z34	Ring Gear Z34	Couronne Z34	Kranz Z34
29	1483-2206-01	2	Chiavetta	Key	Clavette	Keil



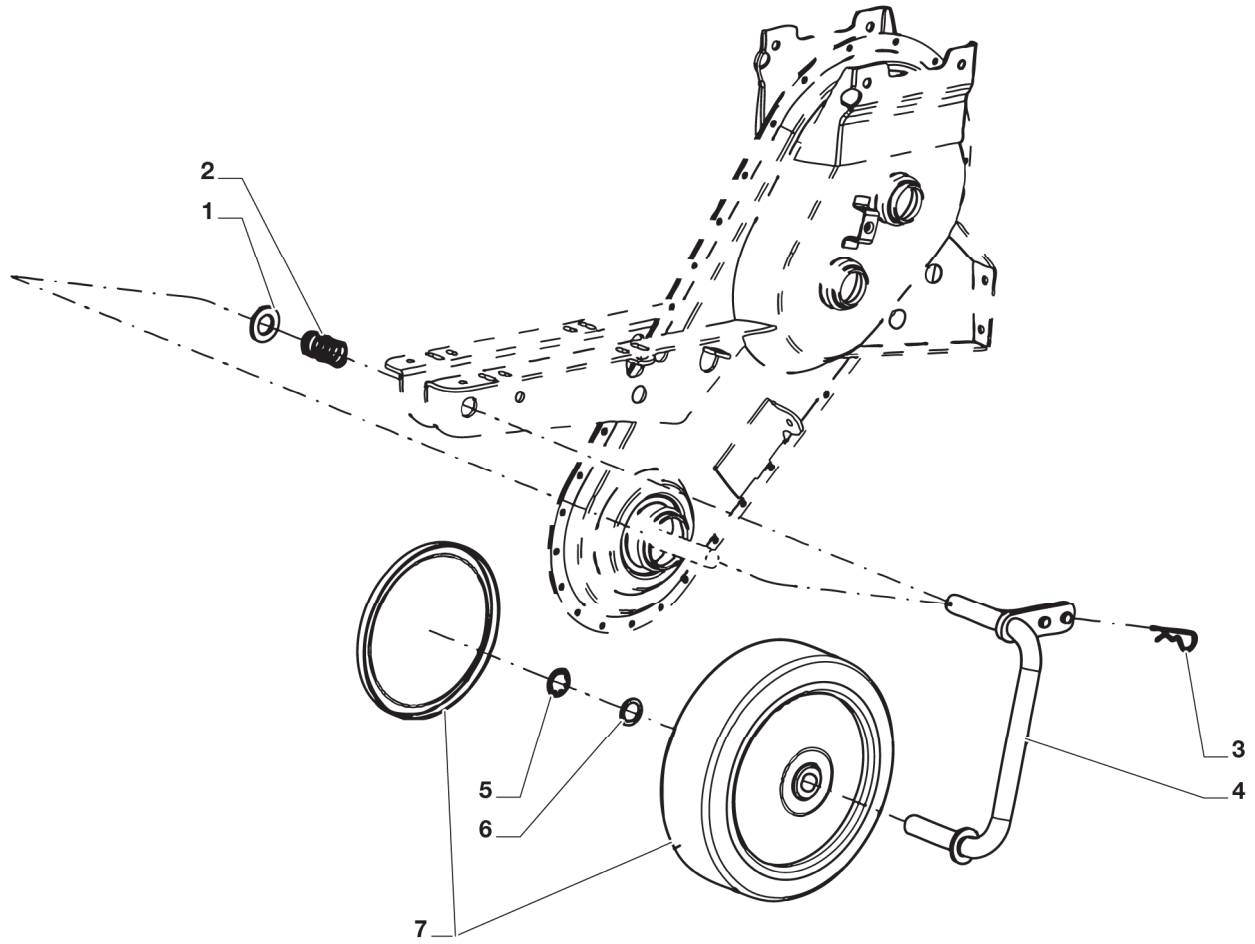


N.	CODE	Q.TY	DESCRIZIONE	DESCRIPTION	DESCRIPTION	BESCHREIBUNG
30	1483-2273-01	2	Guarnizione	Oil Seal	Garniture	Dichtung
31	1483-2282-01	1	Tappo	Cap	Bouchon	Gummistopfen
32	9747-0631-02	32	Dado	Nut	Ecrou	Mutter
33	1483-2229-01	1	Pignone + Corona Z71	Pinion + Ring Gear Z71	Pignon + Couronne Z71	Ritzel + Kranz Z71
34	1483-2277-01	2	Cuscinetto	Bearing	Roulement	Kuegellager
35	1483-2226-01	1	Catena	Chain	Chaîne	Kette
36	1483-2225-01	1	Ruota Dentata	Sprocket	Couronne	Zahnkettenrad
37	1483-2224-01	1	Albero	Shaft	Arbre	Welle
38	9959-0612-16	27	Vite	Screw	Vis	Schraube
39	9997-0620-16	5	Vite	Screw	Vis	Schraube
40	1483-2223-01	2	Protezione Gialla	Guard Yellow	Protection Jaune	Schutz Gelb
40	1483-2223-02	2	Protezione Rossa	Guard Red	Protection Rouge	Schutz Rot
41	1483-2240-01	1	Guarnizione	Gasket	Garniture	Dichtung



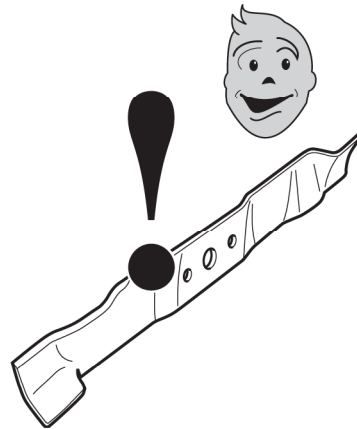
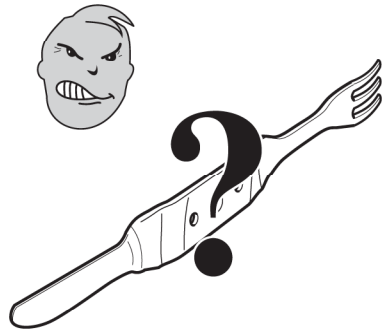
360 G	500-G	40-G	50-G	75-G	82 R-HX	87 B	2009
	500 R-G	40 R-G	50-H	75 R-B			1505.0
			50 R-B	75 R-H			1 / 1
			75 R-HX				

TAVOLA 5
TABLE 5
TABLEAU 5
TAFEL 5



N.	CODE	Q.TY	DESCRIZIONE	DESCRIPTION	DESCRIPTION	BESCHREIBUNG
1	9699-0119-02	1	Rosetta	Washer	Rondelle	Scheibe
2	1483-2252-01	1	Molla	Spring	Ressort	Feder
3	9598-0002-02	1	Coppiglia	Cotter Pin	Goupille	Split
4	1483-2254-01	1	Supporto	Support	Support	Halter
5	1483-2280-01	1	Rosetta	Washer	Rondelle	Scheibe
6	1483-2117-01	1	Distanziale	Spacer	Entretoise	Distanzring
7	1483-2253-01	1	Ruota	Wheel	Roue	Rad





USARE SOLO RICAMBI ORIGINALI!
USE ONLY GENUINE SPARE PARTS!
UTILISER DES PIÈCES DE RECHANGE D'ORIGINE!
NUR ORIGINALERSATZTEILE VERWENDEN!