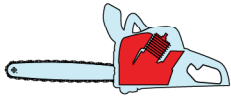
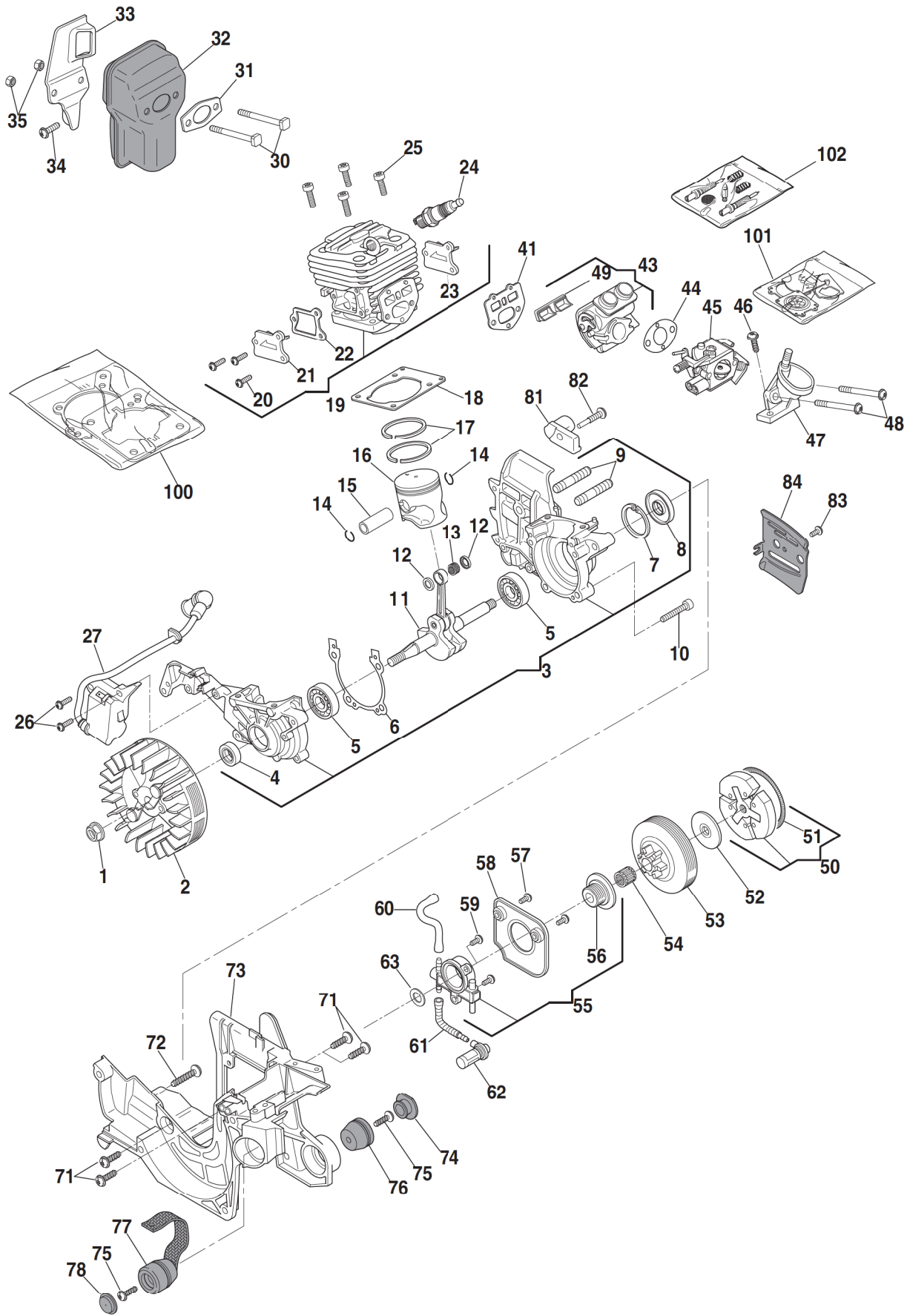


P
420



| |
|-------|
| 2008 |
| 251.0 |
| 1 / 3 |



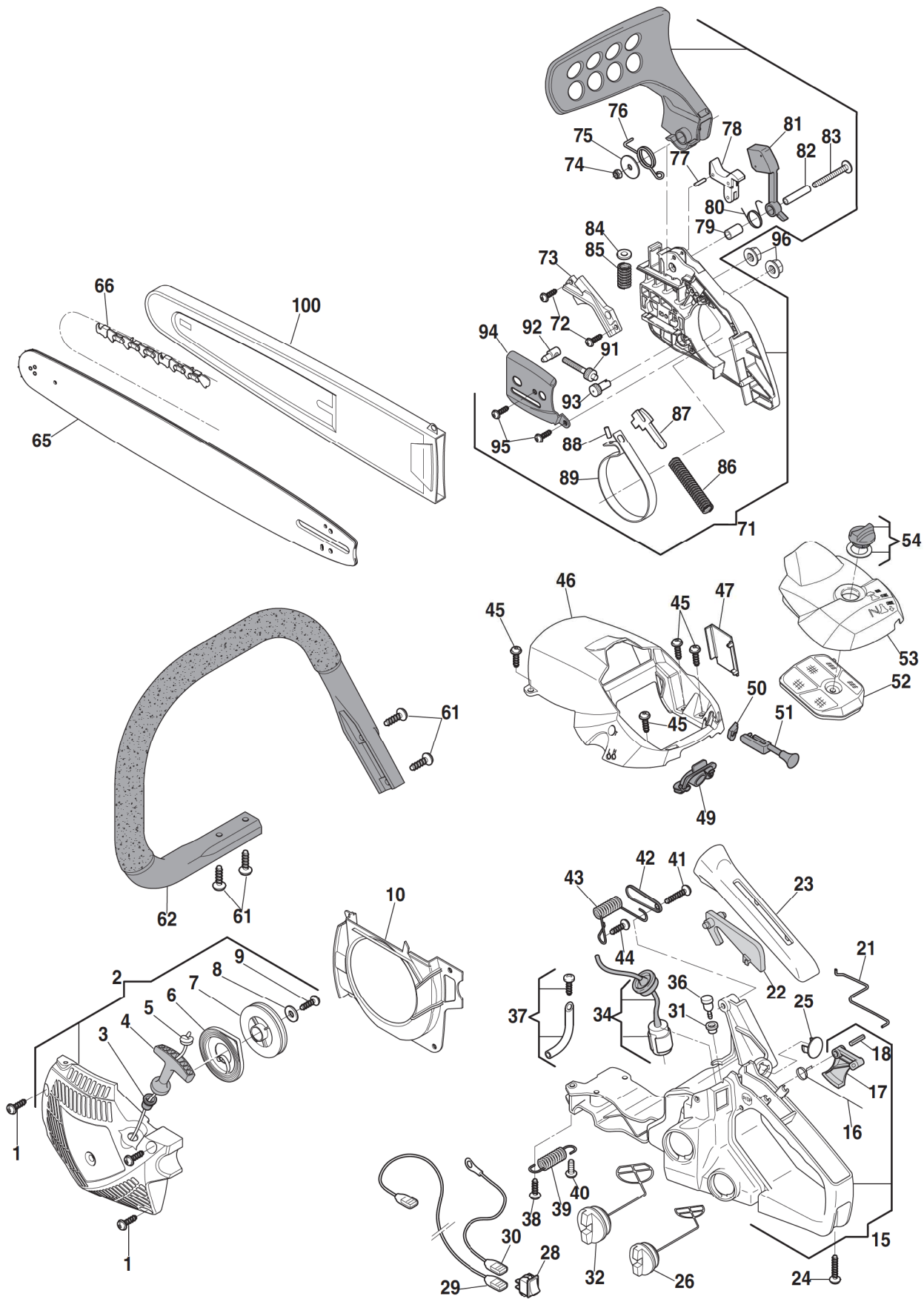
| POS. | CODE | Q.TY | DESCRIZIONE | DESCRIPTION | DESCRIPTION | BESCHREIBUNG | REMARKS |
|------|------------|------|------------------------|--------------------|-------------------------|----------------------|--------------|
| 1 | 6995173 | 1 | DADO | NUT | ECROU | MUTTER | . |
| 2 | 6995289 | 1 | ASS. VOLANO MAGNETE | FLYWHEEL ASSY | VOLANT AIMANT | SCHWUNGRAD MAGNET | . |
| 3 | 6995281 | 1 | ASS.CARTER MOTORE | CRANKASE ASS.Y | ENS. CARTER MOTEUR | PAAR MOTORABDE-CKUNG | . |
| 4 | 6995278 | 1 | ANELLO DI TENUTA | SEAL RING | ANNEAU DE TENUE | DICHTRING | . |
| 5 | 6995277 | 2 | CUSCINETTO | BEARING | ROULEMENT | LAGER | . |
| 6 | - | 1 | GUARNIZIONE | GASKET | GARNITURE | DICHTUNG | KIT POS. 100 |
| 7 | 6995255 | 1 | ANELLO ELASTICO | ELASTIC RING | ANNEAU ÉLASTIQUE | ELASTISCHER RING | . |
| 8 | 6995257 | 1 | ANELLO DI TENUTA | SEAL RING | ANNEAU DE TENUE | DICHTRING | . |
| 9 | 6995028 | 2 | PRIGIONIERO BARRA | STUD | PRISONNIER GUIDE | STIFTSCHRAUBE STANGE | . |
| 10 | 6995276 | 4 | VITE | SCREW | VIS | SCHRAUBE | . |
| 11 | 6995314 | 1 | ASS. ALBERO MOTORE | CRANKSHAFT | ARBRE MOTEUR | SET MOTORWELLE | . |
| 12 | 6995265 | 2 | RONDELLA | WASHER | RONDELLE | UNTERLEGSCHIEBE | . |
| 13 | 6995304 | 1 | CUSCINETTO | BEARING | ROUL. À BILLES | KUGELLAGER | . |
| 14 | 6995256 | 2 | FERMO SPINOTTO | WASHER, PISTON PIN | CIRCLIP POINTEAU | ANSCHLAG ZAPFEN | . |
| 15 | 6995313 | 1 | SPINOTTO PISTONE | PISTON PIN | POINTEAU PISTON | KOLBENBOLZEN | . |
| 16 | 6995287 | 1 | PISTONE | PISTON | PISTON | KOLBEN | . |
| 17 | 6995258 | 2 | FASCIA ELASTICA | PISTON RING | COLLIER ÉLASTIQUE | KOLBENRING | . |
| 18 | - | 1 | GUARNIZIONE | GASKET | GARNITURE | DICHTUNG | KIT POS. 100 |
| 19 | 6995284 | 1 | ASS. CILINDRO | CYLINDER ASSY | ENS.CYLINDRE | SET ZYLINDER | . |
| 20 | 6995259 | 6 | VITE | SCREW | VIS | SCHRAUBE | . |
| 21 | 6995320 | 1 | COPERCHIO | COVER | COUVERCLE | DECKEL | . |
| 22 | 6995322 | 2 | GUARNIZIONE | GASKET | GARNITURE | DICHTUNG | . |
| 23 | 6995321 | 1 | COPERCHIO | COVER | COUVERCLE | DECKEL | . |
| 24 | 3210024 | 1 | CANDELA | SPARK PLUG | BOUGIE | ZÜNDKERZE | . |
| 25 | 6995319 | 4 | VITE | SCREW | VIS | SCHRAUBE | . |
| 26 | 6995261 | 2 | VITE | SCREW | VIS | SCHRAUBE | . |
| 27 | 6995290 | 1 | BOBINA ELETTRONICA | ELECTRONIC COIL | BOBINE ÉLECTRONIQUE | ELEKTRONIKSPULE | . |
| 30 | 6995293 | 2 | VITE | SCREW | VIS | SCHRAUBE | . |
| 31 | - | 1 | GUARNIZIONE | GASKET | GARNITURE | DICHTUNG | KIT POS. 100 |
| 32 | 6995292 | 1 | ASS. SILENZIATORE | MUFFLER ASSY | SILENCIEUX | SET SCHALLDÄMPFER | . |
| 33 | 6995294 | 1 | DEFLETTORE | DEFLECTOR | DEFLECTEUR | ABWEISER | . |
| 34 | 6995062 | 1 | VITE | SCREW | VIS | SCHRAUBE | . |
| 35 | 6995064 | 2 | DADO | NUT | ECROU | MUTTER | . |
| 41 | - | 1 | GUARNIZIONE | GASKET | GARNITURE | DICHTUNG | KIT POS. 100 |
| 43 | 6995285 | 1 | COLLETTORE ASPIRAZIONE | INTAKE MANIFOLD | COLLECTEUR D'ASPIRATION | KOLLEKTOR ANSAUGUNG | . |
| 44 | - | 1 | GUARNIZIONE | GASKET | GARNITURE | DICHTUNG | KIT POS. 100 |
| 45 | 6995291 | 1 | CARBURATORE | CARBURETTOR | CARBURATEUR | VERGASER | . |
| 46 | 23878013/0 | 1 | VITE | SCREW | VIS | SCHRAUBE | . |
| 47 | 6995267 | 1 | COLLETTORE ARIA | AIR MANIFOLD | COLLECTEUR AIR | LUFTKOLLEKTOR | . |
| 48 | 6995271 | 2 | VITE | SCREW | VIS | SCHRAUBE | . |
| 49 | 6995323 | 1 | GUARNIZIONE | GASKET | GARNITURE | DICHTUNG | . |
| 50 | 6995282 | 1 | ASS. FRIZIONE | CLUTCH ASS.Y | FRICTION | SET KUPPLUNG | . |
| 51 | 6995272 | 1 | MOLLA | SPRING | RESSORT | FEDER | . |
| 52 | 6995266 | 1 | RASAMENTO CAMPANA | SPROCKET WASHER | RONDELLE CLOCHE | SCHEIBE GLOCKE | . |
| 53 | 6995269 | 1 | ASS.CAMPANA FRIZIONE | DRUM ASS'Y, CLUTCH | CLOCHE FRICTION | SET KUPPLUNGSGLOCKE | . |
| 54 | 6995230 | 1 | GABBIA A RULLI | NEEDLE BEARING | CAGE À ROULEMENTS | WALZENKÄFIG | . |
| 55 | 6995311 | 1 | ASS. POMPA OLIO | OIL PUMP ASSY | POMPE À HUILE | SET ÖLPUMPE | . |
| 56 | 6995270 | 1 | VITE SENZA FINE | FEMALE SCREW | VIS SANS FIN | ENDLOSSCHRAUBE | . |
| 57 | 6995261 | 4 | VITE | SCREW | VIS | SCHRAUBE | . |

| POS. | CODE | Q.TY | DESCRIZIONE | DESCRIPTION | DESCRIPTION | BESCHREIBUNG | REMARKS |
|------|---------|------|------------------------------|-------------------|---------------------------------|--------------------------|---------|
| 58 | 6995305 | 1 | COPERCHIO POMPA | COVER PUMP | COUVERCLE POMPE | DECKEL ÖLPUMPE | . |
| 60 | 6995295 | 1 | TUBO | TUBE | TUBE | ROHR | . |
| 61 | 6995280 | 1 | TUBO PESCANTE OLIO | PICKUP OIL | TUYAU PLONGEUR HUILE | TREISTOFFZUFUHR | . |
| 62 | 6995296 | 1 | ASS. FILTRO OLIO | OIL FILTER ASS.Y | FILTRE À HUILE | SET ÖLFILTER | . |
| 63 | 6995223 | 1 | RONDELLA | WASHER | RONDELLE | UNTERLEGSCHIBE | . |
| 71 | 6995062 | 4 | VITE | SCREW | VIS | SCHRAUBE | . |
| 72 | 6995002 | 1 | VITE | SCREW | VIS | SCHRAUBE | . |
| 73 | 6995297 | 1 | ASS.CARTER MOTORE | CRANKASE ASS.Y | ENS. CARTER MOTEUR | PAAR MOTORABDE- CKUNG | . |
| 74 | 6995068 | 1 | TAPPO PER GOMMINO ANTIVIB | CAP | BOUCH. POUR CAOUT. ANTI-VIB. | STOPFEN | . |
| 75 | 6995253 | 2 | VITE | SCREW | VIS | SCHRAUBE | . |
| 76 | 6995038 | 1 | GOMMINO ANTIVIBRAN- TE | SHOCK ABSORBER | CAOUTCHOUC ANTI- VIBRATIONS | SCHWINGUNGSDÄMPFER | . |
| 77 | 6995303 | 1 | GOMMINO ANTIVIBRAN- TE | SHOCK ABSORBER | CAOUTCHOUC ANTI- VIBRATIONS | SCHWINGUNGSDÄMPFER | . |
| 78 | 6995274 | 1 | TAPPO PER GOMMINO ANTIVIB | CAP | BOUCH. POUR CAOUT. ANTI-VIB. | STOPFEN | . |
| 81 | 6995279 | 1 | FERMACATENA | CHAIN GUARD | BUTÉE CHAÎNE | KETTENSTOP | . |
| 82 | 6995262 | 1 | VITE | SCREW | VIS | SCHRAUBE | . |
| 83 | 6995259 | 1 | VITE | SCREW | VIS | SCHRAUBE | . |
| 84 | 6995263 | 1 | PIASTRINA | PLATE | PLAQUE | PLATTE | . |
| 100 | 6995283 | 1 | SERIE GUARNIZIONI | GASKET SET | JEU GARNITURES | SET DICHTUNGEN | . |
| 101 | 6995315 | 1 | KIT MEMB-GUARNIZ. | DIAPH.-GASKET SET | JEU GARNITURES | SET DICHTUNGEN | . |
| 102 | 6995288 | 1 | KIT RIPARAZIONE | KIT REPAIR | KIT RÉPARATION | SATZ REPARATUR | . |

P
420



| |
|-------|
| 2008 |
| 252.0 |
| 1 / 3 |



| POS. | CODE | Q.TY | DESCRIZIONE | DESCRIPTION | DESCRIPTION | BESCHREIBUNG | REMARKS |
|------|------------|------|--------------------------------|--------------------------|---------------------------------|-----------------------------|---------|
| 1 | 23878013/0 | 3 | VITE | SCREW | VIS | SCHRAUBE | . |
| 2 | 83058009/0 | 1 | ASS. AVVIATORE GIALLO | STARTER ASSY YELLOW | DÉMARREUR JAUNE | SET STARTER GELB | . |
| - | 83058010/0 | 1 | ASS. AVVIATORE ROSSO | STARTER ASSY RED | DÉMARREUR ROUGE | SET STARTER ROT | . |
| - | 83058011/0 | 1 | ASS. AVVIATORE ARAN- CIONE | STARTER ASSY ORANGE | DÉMARREUR ORANGE | SET STARTER ORANGE | . |
| 3 | 23044208/0 | 1 | GOMMINO PASSACAVO | GROMMET | CAOUTCHOUC PASSE- CÂBLE | LIPPKLAMPE | . |
| 4 | 3750067 | 1 | IMPUGNATURA AVVIA- MENTO | STARTER HANDLE | POIGNÉE DÉMARRAGE | GRIFF STARTER | . |
| 5 | 23234001/0 | 1 | FUNE AVVIAMENTO | STARTER CORD | CÂBLE DÉMARRAGE | SEIL STARTER | . |
| 6 | 23430562/0 | 1 | MOLLA AVVIAMENTO | STARTER SPRING | RESSORT DÉMARRAGE | FEDER STARTER | . |
| 7 | 23604002/0 | 1 | PULEGGIA AVVIAMENTO | STARTER PULLEY | POULIE DÉMARRAGE | RIEMENSCHLEIBE STAR- TER | . |
| 8 | 23657004/0 | 1 | RONDELLA | WASHER | RONDELLE | UNTERLEGSCHLEIBE | . |
| 9 | 23878013/0 | 1 | VITE | SCREW | VIS | SCHRAUBE | . |
| 10 | 23107502/0 | 1 | CONVOGLIATORE ARIA | AIR CONVEYOR | CONVOYEUR AIR | LUFTSAMMELLEITUNG | . |
| 15 | 6995299 | 1 | ASS. IMPUGNATURA | HANDLE ASSY | ENS. POIGNÉE | SATZ GELBER | . |
| 16 | 6995114 | 1 | MOLLA LEVA ACCELE- RATORE | SPRING | RESSORT | FEDER GASHEBEL | . |
| 17 | 6995264 | 1 | LEVA ACCELERATORE | THROTTLE LEVER | LEVIER ACCÉLÉRATEUR | GASHEBEL | . |
| 18 | 6995016 | 1 | SPINA | PIN | CHEVILLE | STIFT | . |
| 21 | 6995307 | 1 | TIRANTE ACCELE- RATORE | THROTTLE ROD | TIGE ACCÉLÉRATEUR | SPANNSTIFT GASHEBEL | . |
| 22 | 6995135 | 1 | LEVA SICUREZZA | SAFETY LEVER | LEVIER DE SÉCURITÉ | SICHERHEITSHLEBEL | . |
| 23 | 6995312 | 1 | PORTE SUPERIORE IMPUGNATURA | HANDLE, UPPER PART | POIGNÉE, PARTIE SUPE- RIEURE | GRIFF, OBERTEIL | . |
| 24 | 6995254 | 1 | VITE | SCREW | VIS | SCHRAUBE | . |
| 25 | 6995268 | 1 | TAPPO | CAP | BOUCHON | STOPFEN | . |
| 26 | 6995273 | 1 | TAPPO OLIO | CAP OIL TANK | BOUCHON D'HUILE | ÖLDECKEL | . |
| 28 | 6995226 | 1 | INTERRUTTORE STOP | SWITCH | INTERRUPTEUR D'ARRÊT | STOP-SCHALTER | . |
| 29 | 6995310 | 1 | CAVO DI STOP | STOP WIRE | CÂBLE ARRÊT | KABELSPERRE | . |
| 30 | 6995306 | 1 | CAVO MASSA | EARTH CABLE | CÂBLE MASSE | ERDUNGSKABEL | . |
| 31 | 6995232 | 1 | GOMMINO | GROMMET | CAOUTCHOUC | GUMMI | . |
| 32 | 6995260 | 1 | ASS. TAPPO MIX | FUEL TANK-CAP ASS.Y | BOUCHON MÉLANGE | SET DECKEL TREIBSTOFF | . |
| 34 | 6995300 | 1 | ASS. PESCANTE MI- SCELA | INTAKE FILTER ASSY | PLONGEUR MÉLANGE | TREIFSTOFFLEITUNG | . |
| 36 | 6995221 | 1 | ASS. VALVOLA SFIATO | BREATHER VALVE ASS.Y | VANNE ÉVENT | SET LÜFTUNGSVENTIL | . |
| 37 | 6995298 | 1 | ASS. VALVOLA SFIATO | BREATHER VALVE ASS.Y | VANNE ÉVENT | SET LÜFTUNGSVENTIL | . |
| 38 | 6995002 | 1 | VITE | SCREW | VIS | SCHRAUBE | . |
| 39 | 6995301 | 1 | MOLLA | SPRING | RESSORT | FEDER | . |
| 40 | 6995062 | 1 | VITE | SCREW | VIS | SCHRAUBE | . |
| 41 | 6995002 | 1 | VITE | SCREW | VIS | SCHRAUBE | . |
| 42 | 6995309 | 1 | PIASTRINA | PLATE | PLAQUE | HALTEBLECH | . |
| 43 | 6995302 | 1 | MOLLA | SPRING | RESSORT | FEDER | . |
| 45 | 23878013/0 | 4 | VITE | SCREW | VIS | SCHRAUBE | . |
| 46 | 23087005/0 | 1 | COPRICILINDRO GIALLO | CYLINDER COVER YELLOW | COUVRE-CYLINDRE JAUNE | ZYLINDERABD. GELB | . |
| - | 23087006/0 | 1 | COPRICILINDRO ROSSO | CYLINDER COVER RED | COUVRE-CYLINDRE ROUGE | ZYLINDERABD. ROT | . |
| - | 23087007/0 | 1 | COPRICILINDRO ARAN- CIONE | CYLINDER COVER ORANGE | COUVRE-CYLINDRE ORANGE | ZYLINDERABD. ORANGE | . |
| 47 | 23653500/0 | 1 | TAPPO | CAP | BOUCHON | STOPFEN | . |
| 49 | 6995308 | 1 | GOMMINO | GROMMET | CAOUTCHOUC | GUMMI | . |
| 50 | 23275006/0 | 1 | GOMMINO LEVA ARIA | GROMMET | CAOUTCHOUC LEVIER AIR | GUMMI CHOCKERHEBEL | . |
| 51 | 23315062/0 | 1 | LEVA ARIA | CHOKER LEVER | LEVIER AIR | CHOKERHEBEL | . |
| 52 | 23220001/0 | 1 | FILTRO ARIA | AIR FILTER | FILTRE À AIR | LUFTFILTER | . |

| POS. | CODE | Q.TY | DESCRIZIONE | DESCRIPTION | DESCRIPTION | BESCHREIBUNG | REMARKS |
|------|------------|------|---------------------------------|------------------------------|----------------------------|------------------------|----------------------------------|
| 53 | 23090012/0 | 1 | COPRIFILTRO GIALLO | FILTER COVER YELLOW | COUVRE-FILTRE JAUNE | FILTERABD. GELB | . |
| - | 23090013/0 | 1 | COPRIFILTRO ROSSO | FILTER COVER RED | COUVRE-FILTRE ROUGE | FILTERABD. ROT | . |
| - | 23090014/0 | 1 | COPRIFILTRO ARANCIONE | FILTER COVER ORANGE | COUVRE-FILTRE ORANGE | FILTERABD. ORANGE | . |
| 54 | 83593500/0 | 1 | ASS. POMELLO | KNOB ASS'Y | ENS. BOUTON | SET KNAUF | . |
| 61 | 6995254 | 4 | VITE | SCREW | VIS | SCHRAUBE | . |
| 62 | 6995286 | 1 | CORRIMANO | HANDLE | MAIN-COURANTE | HANDLAUF | . |
| 65 | 23900302/0 | 1 | BARRA GUIDA 16" | GUIDE BAR 16" | GUIDE-CHAÎNE 16" | KETTENSTEG 16" | 16" 325" .050" (1.3 mm) |
| 66 | 4113712 | 1 | CATENA 16" | CHAIN 16" | CHAÎNE 16" | KETTE 16" | 16" 325" .050" (1.3 mm) - 66E |
| 71 | 83059007/0 | 1 | ASS. CARTER FRIZIONE GIALLO | CLUTCH HO. W/BR. ASSY YELLOW | CARTER FRICTION JAUNE | KUPPLUNGSGEH. GELB | . |
| - | 83059008/0 | 1 | ASS. CARTER FRIZIONE ROSSO | CLUTCH HO. W/BR. ASSY RED | CARTER FRICTION ROUGE | KUPPLUNGSGEH. ROT | . |
| - | 83059009/0 | 1 | ASS. CARTER FRIZIONE ARANCIONE | CLUTCH HO. W/BR. ASSY ORANGE | CARTER FRICTION ORANGE | KUPPLUNGSGEH. ORANGE | . |
| 72 | 23878014/0 | 2 | VITE | SCREW | VIS | SCHRAUBE | . |
| 73 | 23109516/0 | 1 | COPERCHIO FRENO | BRAKE COVER | COUVERCLE FREIN | BREMSDECKEL | . |
| 74 | 23120000/0 | 1 | DADO | NUT | ECROU | MUTTER | . |
| 75 | 23657005/0 | 1 | RONDELLA | WASHER | RONDELLE | UNTERLEGSCHIEBE | . |
| 76 | 23430564/0 | 1 | MOLLA | SPRING | RESSORT | FEDER | . |
| 77 | 23665000/0 | 1 | RULLINO | ROLLER | ROULEAU | WALZE | . |
| 78 | 83315050/0 | 1 | LEVA AGGANCIAMENTO FRENO CATENA | CHAIN BRAKE LEVER | LEVIER ENCL. FREIN CHAÎNE | KLEMMUNG KETTEN-BREMSE | . |
| 79 | 23044207/0 | 1 | DISTANZIALE | BUSHING | ENTRETOISE | DISTANZSTÜCK | . |
| 80 | 23430563/0 | 1 | MOLLA | SPRING | RESSORT | FEDER | . |
| 81 | 23080000/0 | 1 | CONTRAPPESO | BALANCE WEIGHT | CONTREPOIDS | GEGENGEWICHT | . |
| 82 | 23044210/0 | 1 | DISTANZIALE | BUSHING | ENTRETOISE | DISTANZSTÜCK | . |
| 83 | 23878012/0 | 1 | VITE | SCREW | VIS | SCHRAUBE | . |
| 84 | 23670000/0 | 1 | PIASTRINA | PLATE | PLAQUE | HALTEBLECH | . |
| 85 | 23430559/0 | 1 | MOLLA | SPRING | RESSORT | FEDER | . |
| 86 | 23430565/0 | 1 | MOLLA | SPRING | RESSORT | FEDER | . |
| 87 | 23315061/0 | 1 | LEVA AGGANCIAMENTO FRENO | LEVER | LEVIER ENCLENCHEMENT FREIN | HEBEL F. BREMSE | . |
| 88 | 23665001/0 | 1 | RULLINO | NEEDLE | ROULEAU | WALZE | . |
| 89 | 23448002/0 | 1 | NASTRO FRENO | BRAKE BAND | BANDE FREIN | BREMSBAND | . |
| 91 | 23878011/0 | 1 | VITE TENDICATENA | SCREW | VIS | SCHRAUBE | . |
| 92 | 23796004/0 | 1 | TASSELLO TENDICATENA | BAR ADJUSTING BLOCK | GOUJON TENDEUR CHAÎNE | KETTENSANNER | . |
| 93 | 23510093/0 | 1 | PERNO | PIN | TOURILLON | STIFT | . |
| 94 | 23311004/0 | 1 | LAMIERINO BARRA ESTERNO | PLATE | PLAQUE GUIDE EXTERNE | BLECH STANGE AUBEN | . |
| 95 | 23878014/0 | 2 | VITE | SCREW | VIS | SCHRAUBE | . |
| 96 | 6995097 | 2 | DADO | NUT | ECROU | MUTTER | . |
| 100 | 4181307 | 1 | COPRIBARRA | CHAIN COVER | PROTÈGE-GUIDE | SCHW. STANGENABDECKUNG | . |