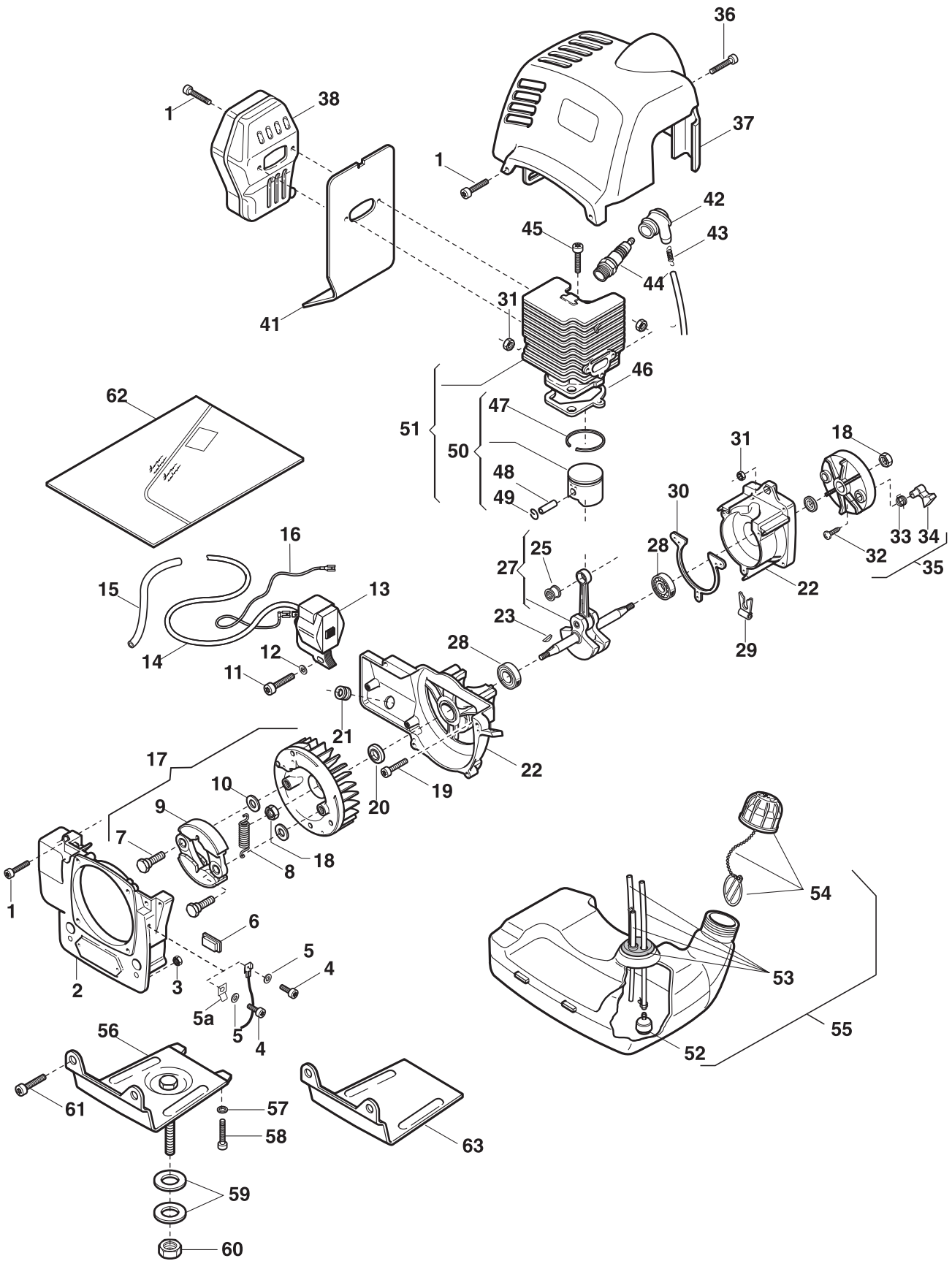
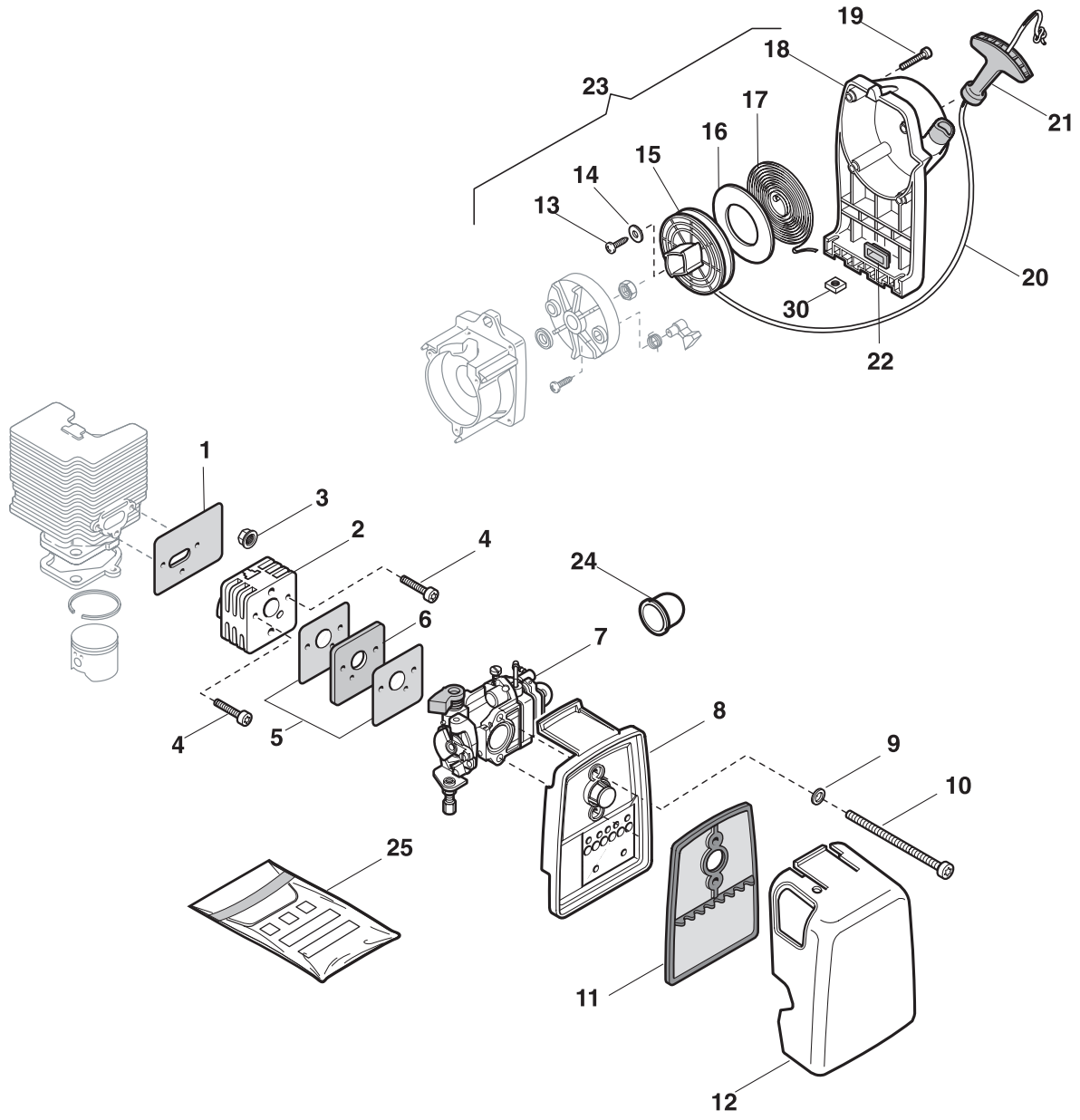


N°	Code	Q.ty	Descrizione	Description	Description	Beschreibung	Remarks
1	2135040	12	Vite	Screw	Vis	Schraube	
2	4540800	1	Carter X Supporto Trasm.	Trasm. Support Case	Carter Support Transm.	Gehäuse Getriebeplatform.	
3	2432030	2	Dado (Flex)	Nut (Flex)	Ecrou (Flex)	Mutterschraube (Flex)	
4	2132500	1	Vite	Screw	Vis	Schraube	
5	2312120	1	Rosetta	Washer	Rondelle	Scheibe	
5a	3211420	1	Faston (Flex)	Faston (Flex)	Faston (Flex)	Erdungsstecker (Flex)	
6	3745530	4	Gommino Supporto	Serb.Grommet	Rondelle Caoutchouc	Gummiträger	
7	2653210	2	Vite	Screw	Vis	Schraube	
8	3654040	1	Molla Frizione	Spring	Ressort	Kupplungsfeder	
9	3660430/1	2	Massa Frizione	Clutch Unit	Embrayage	Reibungsmasse	
10	2321230	2	Rosetta	Washer	Rondelle	Scheibe	
11	2135060	2	Vite	Screw	Vis	Schraube	
12	2321150	2	Rosetta	Washer	Rondelle	Scheibe	
13	3211015	1	Bobina Elettronica	Elettronic Coil	Bobine Électronique	Elektronikspule	
14	3211080	1	Filo Bobina	Spark Plug Cable	Fil Bobine	Draht Zündkerze	
15	3782040	1	Guaina Cavo	Wire Sheath	Gaine Câble	Kabelmantel	
16	3211415	1	Cavo Massa	Earth Cable	Câble Masse	Erdungskabel	
17	4251480/1	1	Ass. Volano C/Masse (Incl. 7,9,10)	Flywheel Ass.Y (Incl. 7,9,10)	Ens. Volant (Incl. 7,9,10)	Set Schwungrad (Incl.7,9,10)	
18	2670120	2	Dado	Nut	Ecrou	Mutter	
19	2135050	3	Vite	Screw	Vis	Schraube	
20	3121070	2	Anello Di Tenuta	Seal Ring	Anneau De Tenue	Dichtring	
21	3745130	1	Gommino Passacavo	Grommet	Rondelle Caoutchouc	Lippklampe	
22	8521010	1	Coppia Carters Motore	Crankcase Ass.Y	Ens. Carter Moteur	Paar Motorabdeckung	
23	3151010	1	Linguetta Volano	Flywheel Key	Clavette Volant	Lasche Schwungrad	
25	3116100	1	Astuccio A Rulli	Needle Bearing	Roul. À Aiguilles	Walzenrohr	
27	8250840	1	Ass. Albero Motore (Incl. 25)	Crankshaft (Incl. 25)	Arbre Moteur (Incl. 25)	Set Motorwelle (Inkl. 25)	
28	3112240	2	Cuscinetto	Bearing	Roul. À Billes	Kugellager	
29	3750280	1	Guida Passacavo	Massathread Guide	Guide-Fil	Lippklampe	
30	3724050	1	Guarnizione Carters	Gasket	Joint	Dichtung Abdeckung	
31	2432040	5	Dado	Nut	Ecrou	Mutter	
32	2123100	3	Vite	Screw	Vis	Schraube	
33	3654050	2	Molla Aggancio	Spring	Ressort	Feder Sperrung	
34	3749570	2	Aggancio Avviamento	Starter Hook	Fixation Démarreur	Sperre Starter	
35	8540810	1	Ass. Coppa Avviamento (Incl.32-34)	Starter Cup Ass.Y (Incl.32-34)	Ens.Coupe Démarreur (Incl.32-34)	Schwungrad Magnet (Inkl.32-34)	
36	2135180	1	Vite	Screw	Vis	Schraube	
37	4563660	1	Cuffia Copricilindro Giallo	Cylinder Cover Ass.Y Yellow	Couvercle Cylindre Jaune	Motorabdeckung Gelb	
37	4563663	1	Cuffia Copricilindro Rosso	Cylinder Cover Ass.Y Red	Couvercle Cylindre Rouge	Motorabdeckung Rot	
38	4122120	1	Silenziatore	Muffler	Silencieux	Schalldämpfer	
41	3724340	1	Guarnizione Silenziatore	Muffler Gasket	Joint Silencieux	Dichtung Schalldämpfer	
42	3744850	1	Cappuccio Candela	Spark Plug Cover	Capuchon Bougie	Zündkerzenkappe	
43	3657530	1	Terminale Filo Candela	Spark Plug Spring	Borne Fil Bougie	Drahtende Zündkerze	
44	3210024	1	Candela	Spark Plug	Bougie	Zündkerze	
45	2135150	2	Vite	Screw	Vis	Schraube	
46	3724260	1	Guarnizione Cilindro	Cylinder Gasket	Joint Cylindre	Zylinderdichtung	
47	3123150	1	Segmento X Mod. Ø 38	Piston Ring X Mod. Ø 38	Segment X Mod. Ø 38	Kolbenring X Mod. Ø 38	
48	3158260	1	Spinotto Pistone	Piston Pin	Pointeau Piston	Kolbenbolzen	
49	3356050	2	Fermo Spinotto	Circlip	Circlip	Sperre Bolzen	
50	8541120	1	Ass. Pistone Ø 38 (Incl.26,47-49)	Piston Ass.Y Ø 38 (Incl.26,47-49)	Ens.Piston Ø 38 (Incl.26,47-49)	Set Kolben Ø 38 (Inkl.26,47-49)	
51	8541110	1	Ass. Cilindro Pistone Ø 38 (Incl.50)	Cylinder-Piston Ass.Y Ø 38 (Incl.50)	Ens.Cylindre-Piston Ø 38 (Incl.50)	Set Zylinder-Kolben Ø 38 (Inkl.50)	



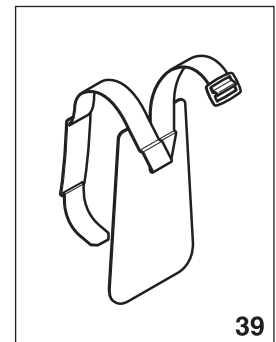
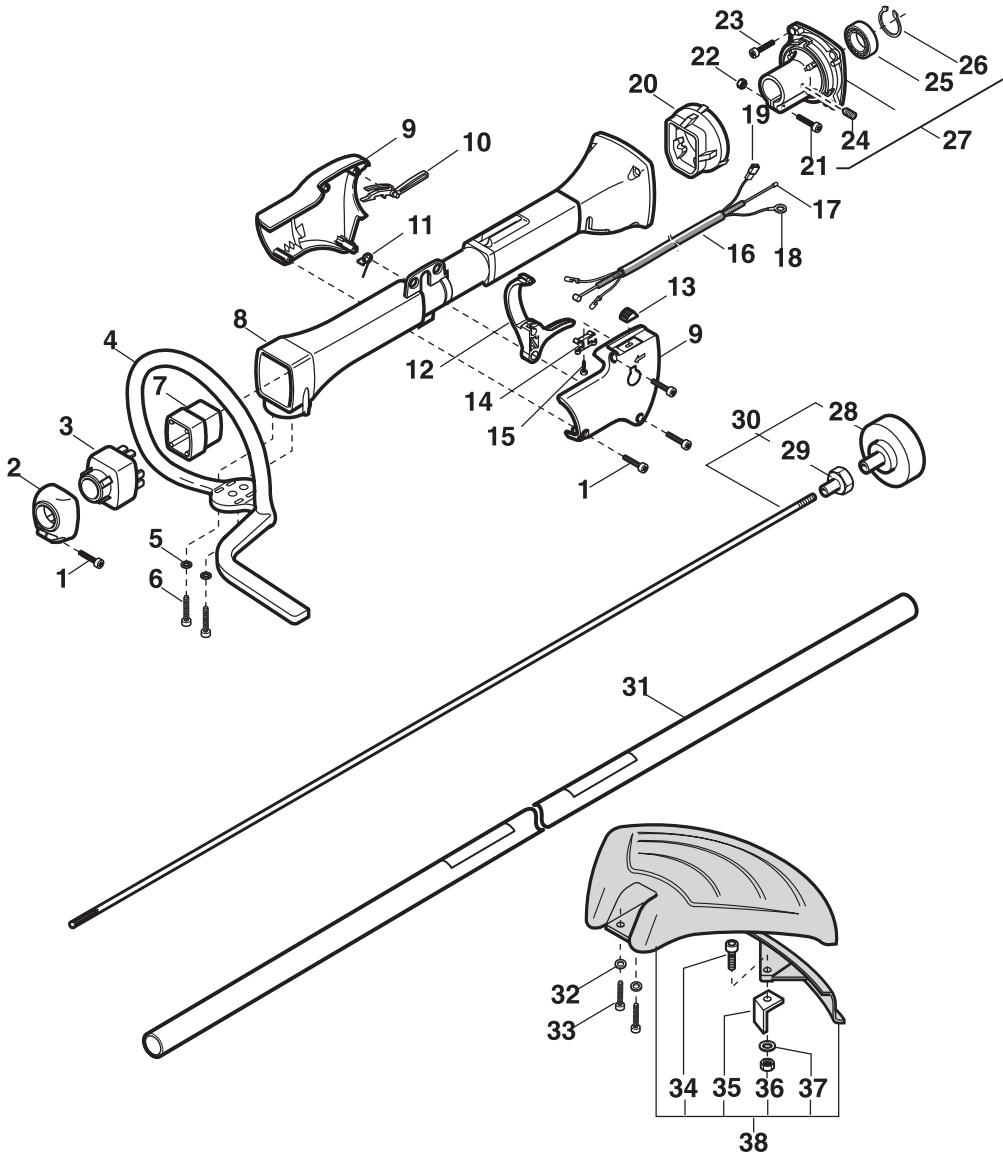


N°	Code	Q.ty	Descrizione	Description	Description	Beschreibung	Remarks
52	4253290	1	Pescante Mix	Intake Filter	Filtre D'Aspiration	Tauchsonde	
53	8745541	1	Ass. Gommino Passatubi	Grommet Ass.Y	Ens.Rondelle Caoutchouc	Set Gummiringe	
54	8741370	1	Ass. Tappo Mix	Fuel Cap Ass.Y	Ens.Bouchon Mélange	Deckel Treibstofftank	
55	4252470	1	Ass. Serbatoio Mix (Incl.52-54)	Fuel Tank Ass.Y (Incl.52-54)	Ens.Réservoir Mélange (Incl.52-54)	Set Treibstofftank (Inkl.52-54)	
56	4122180	1	Flangia Supp. Motore Flex	Flange (Flex)	Bride Moteur (Flex)	Ansaugflansch Motor (Flex)	
57	2330020	2	Grower	Grower	Rondelle Grower	Grower	
58	2135010	2	Vite	Screw	Vis	Schraube	
59	2330060	2	Rondella (Flex)	Washer (Flex)	Rondelle (Flex)	Unterlegscheibe (Flex)	
60	2412180	1	Dado (Flex)	Nut (Flex)	Ecrou (Flex)	Mutterschraube (Flex)	
61	2112310	2	Vite	Screw	Vis	Schraube	
62	8724340	1	Serie Guarnizioni (Incl.30,41,46)	Gasket Set (Incl.30,41,46)	Série Joints (Incl.30,41,46)	Set Dichtungen (Inkl.30,41,46)	
63	4612587	1	Flangia Supp. Motore Rigido	Flange	Bride Moteur	Ansaugflansch Motor	

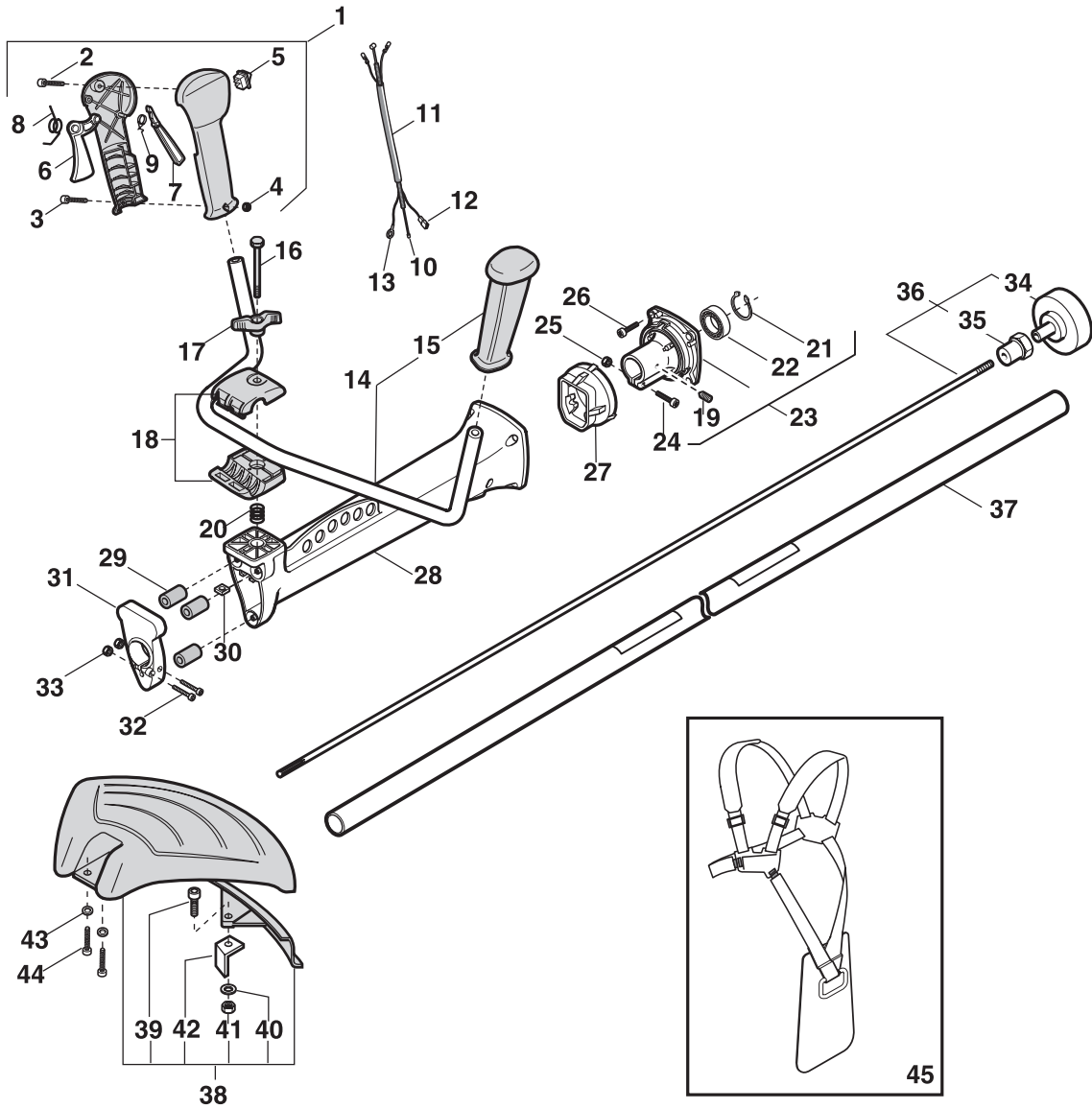




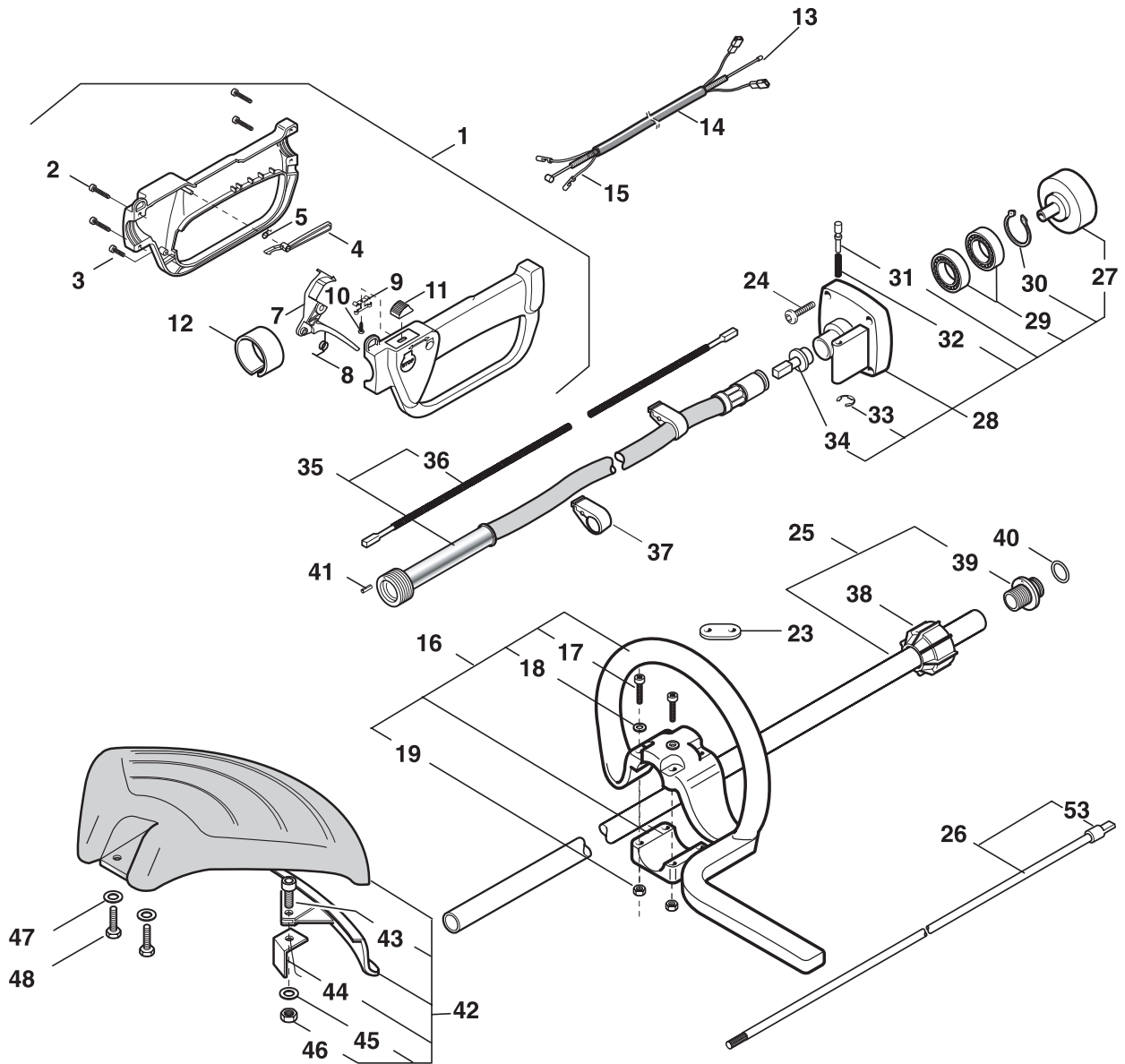
N°	Code	Q.ty	Descrizione	Description	Description	Beschreibung	Remarks
1	3724360	1	Guarniz.Collett-Cil	Intake Manif-Gasket	Joint Collect.-Cyl.	Dicht. Kollekt.-Zyl.	
2	3750410	1	Collettore Aspirazione	Intake Manifold	Collecteur Aspiration	Kollektor Ansaugung	
3	2670280	2	Dado	Nut	Ecrou	Mutter	
4	2135050	2	Vite	Screw	Vis	Schraube	
5	3724400	2	Guarniz.Collettore-Carb	Intake-Carb Gasket	Joint Collect.-Carb.	Dicht. Kollektor-Verg.	
6	3785070	1	Distanziale Termico	Heat Block	Blocage Thermique	Thermoisolierung	
7	4253270/1	1	Carburatore	Carburettor	Carburateur	Vergaser	Walbro WYJ 317A
8	8750390	1	Supp. Filtro Aria Grigio	Air Filter Holder	Supp. Filtre À Air	Halter Luftfilter	
9	2312090	3	Rosetta	Washer	Rondelle	Scheibe	
10	2135250	2	Vite	Screw	Vis	Schraube	
11	3781600	1	Filtro Aria	Air Filter	Filtre À Air	Luftfilter	
12	4563670	1	Coprifiltro Giallo	Filter Cover Yellow	Couvre-Filtre Jaune	Filterabd. Gelb	
12	4563673	1	Coprifiltro Rosso	Filter Cover Red	Couvre-Filtre Rouge	Filterabd. Rot	
13	2123100	3	Vite	Screw	Vis	Schraube	
14	3613420	1	Rosetta	Washer	Rondelle	Scheibe	
15	4562220	1	Puleggia Avviamento	Starter Pulley	Poulie Démarrage	Riemenscheibe Starter	
16	3723640	1	Disco Molla Avv.To	Disc	Disque	Scheibe Feder Starter	
17	4611480	1	Molla Avv.To	Spring	Ressort	Feder	
18	8563650	1	Carter Avv.To	Starter Recoil Case	Carter Démarreur	Startergehäuse	
19	2135040	12	Vite	Screw	Vis	Schraube	
20	3784030	1	Fune Avv.To	Starter Cord	Câble Démarrage	Seil Starter	
21	3750067	1	Impugnatura Avv.To	Starter Handle	Poignée Démarrage	Griff Starter	
22	3745530	4	Gommino Supp. Serbatoio	Grommet	Rondelle Caoutchouc	Gummiring	
23	4252680	1	Ass. Avviatore (Incl. 13-22)	Starter Ass.Y (Incl. 13-22)	Ens. Démarreur (Incl. 13-22)	Set Starter (Inkl.13-22)	
24	3744870	1	Primer	Primer	Primer	Primer	
25	4353150	1	Kit Memb-Guarniz	Gasket-Diaph.Set	Kit Membr.-Joint	Set Memb.-Dicht.	
30	2461030	2	Dado	Nut	Ecrou	Mutter	



N°	Code	Q.ty	Descrizione	Description	Description	Beschreibung	Remarks
1	2123030	4	Vite	Screw	Vis	Schraube	
2	3750330	1	Supporto Anteriore Care-natura	Front Housing Support	Support Avant Carter	Halter Vorder-gehäuse	
3	3744290	1	Gommino Antivibrante Anteriore	Front Shock Absorber	Caoutchouc Anti-Vibrat. Avant	Schwingungsdämpfer	
4	4563560	1	Impugnatura Anteriore	Front Handle	Poignée Avant	Handgriff Vorne	
5	2312150	2	Rondella	Washer	Rondelle	Unterlegscheibe	
6	2123140	2	Vite	Screw	Vis	Schraube	
7	3750340	1	Ghiera Riduzione Anteriore	Front Step-Down Spacer	Bague Réduction Avant	Vorderer Reduzierung	
8	4563531	1	Carenatura	Transmission Housing	Carter Transmission	Gehäuse	
9	8563540	1	Coppia Gusci Impugnatura	Handgrip Housing Couple	Paire Protect. Poignées	Paar Handgriffhülsen	
10	3743630	1	Leva Sicurezza	Safety Lever	Levier De Sécurité	Sicherheitshebel	
11	3654490	1	Molla Leva Acceleratore	Spring	Ressort	Feder Gashebel	
12	3743620	1	Leva Acceleratore	Throttle Lever	Levier Accélérateur	Gashebel	
13	3749270	1	Pomello Di Stop	Stop Knob	Bouton D'Arrêt	Stop-Schalter	
14	3612710	1	Lamierino Di Stop	Stop Plate	Plaque D'Arrêt	Stop-Plättchen	
15	2123070	1	Vite	Screw	Vis	Schraube	
16	3786200/1	1	Guaina Protezione Cavi	Wire Sheath	Gaine Câbles	Kabelmantel	
17	4252450	1	Cavo Acceleratore	Wire Ass.Y	Câble Accélér.	Starterkabel	
18	3211120	1	Cavo Massa (Nero)	Earth Cable (Black)	Câble Masse (Noir)	Erdungskabel (Schwarz)	
19	3211490	1	Cavo Bobina-Interruttore (Rosso)	Coil-Switch Cable (Red)	Câble Bobine-Inter. (Rouge)	Spulendraht-Schalter (Rot)	
20	3744300	1	Gommino Antivibrante Posteriore	Rear Shock Absorber	Caoutchouc Anti-Vibrat. Arrière	Schwingungsdämpfer	
21	2135150	1	Vite	Screw	Vis	Schraube	
22	2432030	1	Dado	Nut	Ecrou	Mutter	
23	2135160	4	Vite	Screw	Vis	Schraube	
24	2126050	1	Vite	Screw	Vis	Schraube	
25	3112170	1	Cuscinetto	Bearing	Roul. À Billes	Kugellager	
26	3353080	1	Anello Seeger	Ring	Circlip	Ring	
27	8520990/2	1	Ass. Mozzo Trasm. Ø26 (Incl. 24-26)	Transm. Hub Ass.Y Ø26 (Incl.24-26)	Ens.Moyeu Transm. Ø26 (Incl. 24-26)	Antriebsnabe Ø26 (Inkl.24-26)	
28	4121861/1	1	Campana Frizione	Clutch Drum	Cloche Embrayage	Kupplungsglocke	
29	3642191	1	Mozzo Cuscinetto	Bearing Hub	Moyeu Roulement	Lagernabe	
30	4251400	1	Albero Trasmissione (Incl.28-29)	Transmission Shaft (Incl.28-29)	Arbre Transmission (Incl.28-29)	Motorwelle (Inkl.28-29)	
31	4251204	1	Ass. Tubo Trasmissione Ø26	Transmission Pipe Ass.Y	Ens.Tube Transm.	Set Rohr Pulse	
32	2312150	2	Rondella	Washer	Rondelle	Unterlegscheibe	
33	2135060	2	Vite	Screw	Vis	Schraube	
34	2135030	1	Vite	Screw	Vis	Schraube	
35	3615000	1	Lamierino Tagliafilo	Line Cutter	Coupe-Fil	Drahtscherenblech	
36	2432040	1	Dado	Nut	Ecrou	Mutter	
37	2312150	1	Rondella	Washer	Rondelle	Unterlegscheibe	
38	8563570	1	Ass. Paraspruzzi (Incl. 34-37)	Safety Cover Ass.Y (Incl.34-37)	Ens. Capot Anti-Projections (Incl. 34-37)	Set Spritzschutz (Inkl.34-37)	
39	4253460	1	Bretella	Harness	Harnais	Gurtzeug	

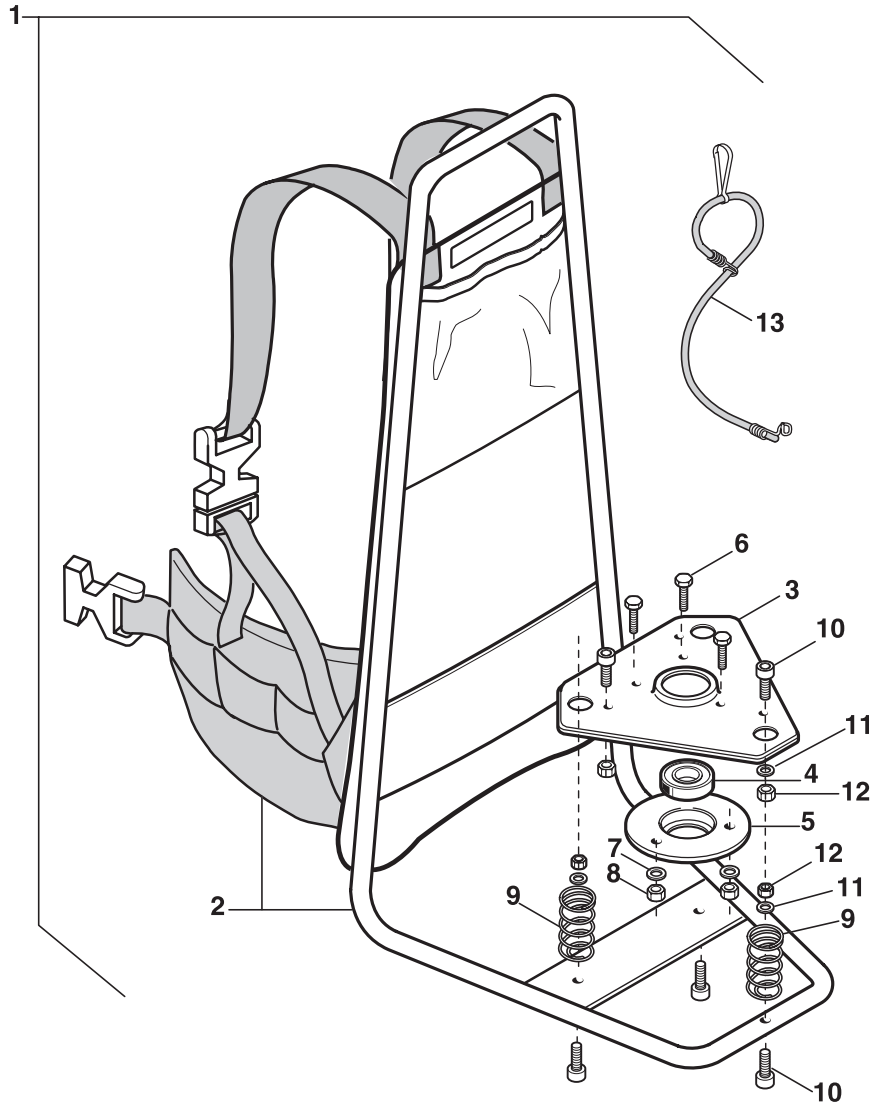


N°	Code	Q.ty	Descrizione	Description	Description	Beschreibung	Remarks
1	8563830	1	Ass. Impugnatura (Incl.2-9)	Handle Ass.Y (Incl.2-9)	Ens.Poignée (Incl.2-9)	Set Handgriff (Inkl.2-9)	
2	2123030	1	Vite	Screw	Vis	Schraube	
3	2135050	1	Vite	Screw	Vis	Schraube	
4	12154330/0	1	Dado	Nut	Ecrou	Mutter	
5	3210970	1	Interruttore Stop	Stop Switch	Interrupteur D'Arrêt	Stop-Schalter	
6	3743431/1	1	Leva Acceleratore	Throttle Lever	Levier Accélérateur	Gashebel	
7	3743441	1	Leva Di Sicurezza	Safety Lever	Levier De Sécurité	Sicherheitshebel	
8	3654270/1	1	Molla Leva Acceleratore	Spring	Ressort	Feder Gashebel	
9	3654280/1	1	Molla Leva Di Sicurezza	Spring	Ressort	Feder Sicherheitshebel	
10	4252570	1	Cavo Acceleratore	Wire Ass.Y	Câble Accélér.	Starterkabel	
11	3786220	1	Guaina Cavi	Wire Sheath	Gainé Câbles	Kabelmantel	
12	3211590	1	Cavo Bobina-Interruttore (Rosso)	Coil-Switch Cable (Red)	Câble Bobine-Interrupt. (Rouge)	Spulendraht-Schalter (Rot)	
13	3211600/1	1	Cavo Massa (Nero)	Earth Cable (Black)	Câble Masse (Noir)	Erdungskabel (Schwarz)	
14	4252840/1	1	Manubrio C/Manopola Sx.	Handle	Guidon	Handgriff	
15	3744860/1	1	Impugnatura Sx	Left Knob	Poignée Gauche	Handgriff Links	
16	2112580	1	Vite	Screw	Vis	Schraube	
17	3750480	1	Galletto	Wing Nut	Ecrou À Oreilles	Flügelmutter	
18	8521070	1	Ass. Supporto Impugnatura	Handgrip Support Ass.Y	Ens.Support Poignée	Set Handgriffhalter	
19	2126050	1	Vite	Screw	Vis	Schraube	
20	3654530	1	Molla	Spring	Ressort	Feder	
21	3353080	1	Anello Seeger	Ring	Circlip	Ring	
22	3112170	1	Cuscinetto	Bearing	Roul. À Billes	Kugellager	
23	8520990/2	1	Ass.Mozzo Trasm. Ø 26 (Incl.19,21,22)	Transmission Hub Ass. Y Ø 26	Ens.Moyeu Transm. Ø 26	Antriebsnabe Ø 26	
24	2135150	1	Vite	Screw	Vis	Schraube	
25	2432030	1	Dado	Nut	Ecrou	Mutter	
26	2135160	4	Vite	Screw	Vis	Schraube	
27	3744330	1	Gommino Antivib. Posteriore	Rear Shock Absorber	Caoutchouc Anti-Vibrat. Arrière	Schwingungsdämpfer	
28	4563850/1	1	Carenatura	Transmission Housing	Transmission Carénée	Gehäuse	
29	3744320	3	Gommino Antivib. Anteriore	Front Shock Absorber	Caoutchouc Anti-Vibrat Avant	Schwingungsdämpfer	
30	3615190	1	Piastrina Fissaggio Manubrio	Handle Fixing Plate	Plaque Fixation Guidon	Handgriff-Befestigungsplättchen	
31	4563860	1	Supp. Ant. Carenatura Ø 26	Front Housing Support Ø 26	Supp. Avant Caréné Ø 26	Vord. Halter F. Gehäuse Ø 26	
32	2135060	2	Vite	Screw	Vis	Schraube	
33	12154330/0	2	Dado	Nut	Ecrou	Mutter	
34	4121861/1	1	Campana Frizione	Clutch	Cloche Embrayage	Kupplungsglocke	
35	3642191	1	Mozzo Cuscinetto	Bearing Hub	Moyeu Roulement	Lagernabe	
36	4251400	1	Albero Trasmissione (Incl.34,35)	Transmission Shaft (Incl.34,35)	Arbre Transmission (Incl.34,35)	Motorwelle (Inkl.34,35)	
37	4251204	1	Ass. Tubo Trasm. Ø 26	Transmission Pipe Ass. Y Ø 26	Ens.Tube Transm. Ø 26	Set Rohr Pulse Ø 26	
38	8563570	1	Ass. Paraspruzzi (Incl.39-42)	Safety Cover Ass.Y (Incl.39-42)	Ens. Capot Anti-Projections (Incl.39-42)	Set Spritzschutz (Inkl.39-42)	
39	2135030	1	Vite	Screw	Vis	Schraube	
40	2312150	1	Rosetta	Washer	Rondelle	Scheibe	
41	2432040	1	Dado	Nut	Ecrou	Mutter	
42	3615000	1	Lamierino Tagliafilo	Line Cutter	Coupe-Fil	Drahtscherenblech	
43	2312150	2	Rosetta	Washer	Rondelle	Scheibe	
44	2135060	2	Vite	Screw	Vis	Schraube	
45	4253440	1	Bretella Profi	Harness	Harnais	Gurtzeug	



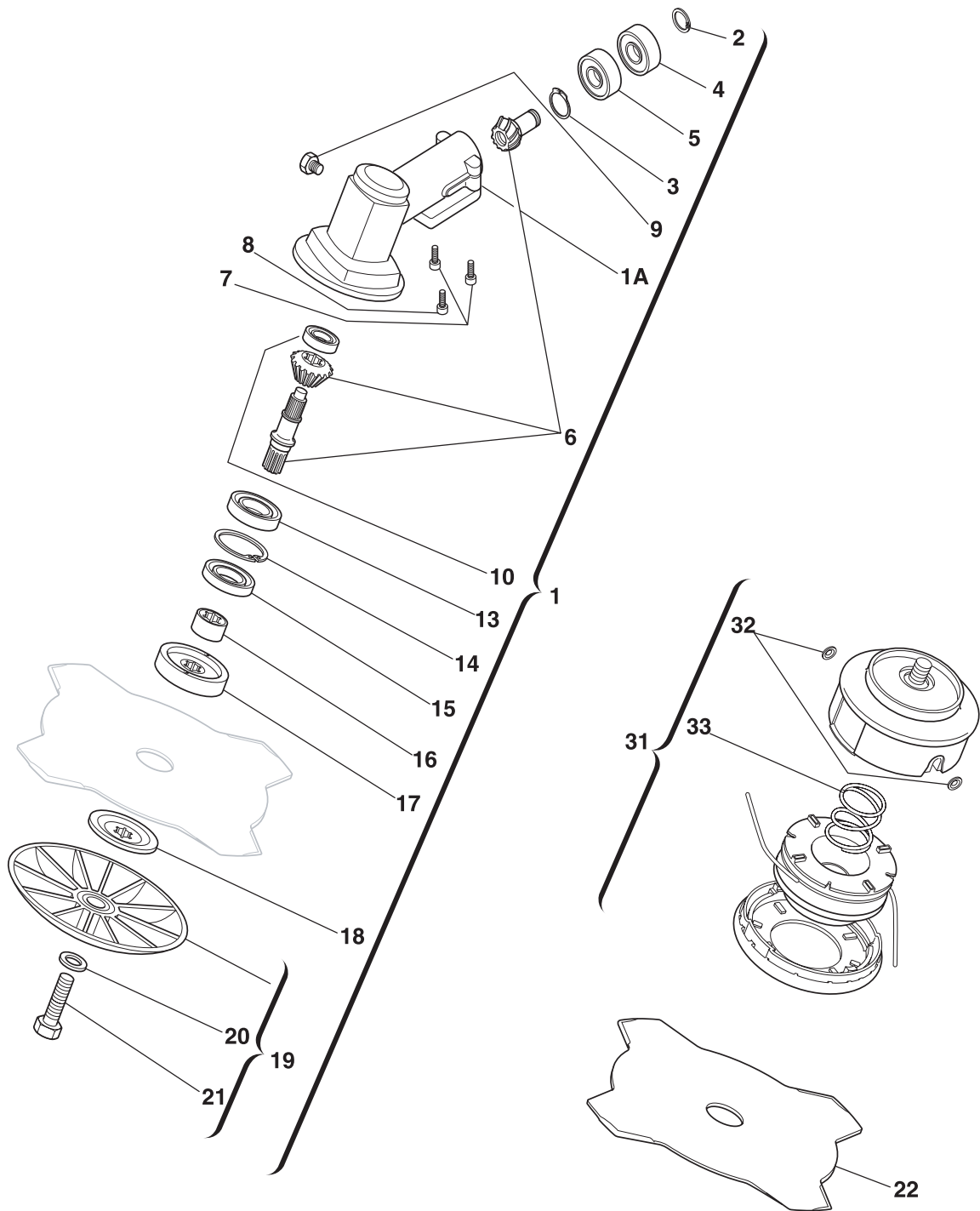


N°	Code	Q.ty	Descrizione	Description	Description	Beschreibung	Remarks
1	8562620/1	1	Ass. Impugnatura Post. (Incl.2-12)	Handle Ass.Y (Incl.2-12)	Ens.Poignée (Incl.2-12)	Set Handgriff Hinten (Incl.2-12)	
2	2123030	4	Vite	Screw	Vis	Schraube	
3	2123100	2	Vite	Screw	Vis	Schraube	
4	3743475	1	Leva Di Sicurezza	Safety Lever	Levier De Sécurité	Sicherheitshebel	
5	3654300	1	Molla Leva Di Sicurezza	Spring	Ressort	Feder Sicherheitshebel	
7	3743465	1	Leva Acceleratore	Throttle Lever	Levier Accélérateur	Gashebel	
8	3654270/1	1	Molla Leva Acceleratore	Spring	Ressort	Feder Gashebel	
9	3612710	1	Lamierino Di Stop	Stop Plate	Plaque D'Arrêt	Stop-Plättchen	
10	2123070	1	Vite	Screw	Vis	Schraube	
11	3749270	1	Pomello Di Stop	Stop Knob	Bouton D'Arrêt	Stop-Schalter	
12	3750290	2	Riduzione	Reduction	Réduction	Reduzierstück	
13	23066004/0	1	Cavo Acceleratore	Wire Ass.Y	Câble Accélér.	Starterkabel	
14	3782680	1	Guaina Cavi	Wire Sheath	Gaine Câbles	Kabelmantel	
15	8211390	1	Coppia Cavi Stop	Stop Cable Couple	Paire Câbles Arrêt	Kabelpaarstop	
16	8563600	1	Ass. Impugnatura Ant. (Incl.17-19)	Front Handle Ass.Y (Incl.17-19)	Ens.Poignée Avant (Incl.17-19)	Set Handgriff Vorne (Incl.17-19)	
17	2135050	4	Vite	Screw	Vis	Schraube	
18	2312090	4	Rosetta	Washer	Rondelle	Scheibe	
19	2412030	4	Dado	Nut	Ecrou	Mutter	
23	3614980	1	Asola Impugnatura X Corda Elastica	Handle-Hole For Elastic Cord	Œillet Poignée Pour Corde Élastique	Handgrifföse X Elastisches Seil	
24	2135160	4	Vite	Screw	Vis	Schraube	
25	4252390	1	Ass. Tubo Trasmissione (Incl.39)	Transm. Pipe Ass.Y (Incl.39)	Ens.Tube Transm. (Incl.39)	Set Rohr Pulse (Incl.39)	
26	8630150	1	Ass.Albero Trasmissione (Incl.53)	Transm.Shaft Ass.Y (Incl.53)	Ens.Arbre Transm. (Incl.53)	Set Motorwelle (Incl.53)	
27	4121861/1	1	Campana Frizione	Clutch Drum	Cloche Embrayage	Kupplungsglocke	
28	8540910	1	Ass.Supporto Trasmissione (Incl.27,29-34)	Support Transm. (Incl.27,29-34)	Supp. Transm. (Incl.27,29-34)	Getriebeplattform (Incl.27,29-34)	
29	3112170	2	Cuscinetto	Bearing	Roul. À Billes	Kugellager	
30	3353080	1	Anello Seeger	Ring	Circlip	Ring	
31	3642420	1	Perno	Pin	Tourillon	Stift	
32	3654170	1	Molla	Spring	Ressort	Feder	
33	3351050	1	Fermo	Retainer	Butoir	Sperrung	
34	3642430	1	Mozzo	Hub	Moyeu	Nabe	
35	4122110/1	1	Ass.Albero Flex C/Guaina J (Incl.36)	Flex Shaft Ass.Y J (Incl.36)	Ens.Arbre Flex J (Incl.36)	Flex Welleneinheit J (Incl.36)	
36	4253990/1	1	Albero Flessibile J	Flexible Shaft J	Arbre Flexible J	Biegsame Welle J	
37	3749310	2	Fascetta Fermacavi	Clip	Collier	Kabelklemme	
38	3750270	1	Ghiera Fissaggio Impugnatura	Plate For Handle Fixing	Virole Fixation Poignée	Ring Griffbefestigung	
39	3643220	1	Manicotto Filettato X Flex Ø28	Flex Threaded Coupling Ø28	Manchon Fileté Pour Flex Ø28	Flex Gewindemuffe Ø28	
40	3721540	1	Anello Or	Or Ring	Joint Or	Or-Dichtung	
41	3314040	1	Spina Di Centraggio	Centring Pin	Goupille De Centrage	Zentrierstift	
42	8563570	1	Ass.Paraspruzzi (Incl.43-46)	Safety Cover Ass.Y (Incl.43-46)	Ens. Capot Anti-Projections (Incl.43-46)	Spritzschutz (Incl.43-46)	
43	2135030	1	Vite	Screw	Vis	Schraube	
44	3615000	1	Lamierino Tagliafilo	Line Cutter	Coupe-Fil	Drahtscherenblech	
45	2312150	1	Rosetta	Washer	Rondelle	Scheibe	
46	2432040	1	Dado	Nut	Ecrou	Mutter	
47	2312150	2	Rosetta	Washer	Rondelle	Scheibe	
48	2135060	2	Vite	Screw	Vis	Schraube	
53	3642290	1	Raccordo Innesto Flex Ø28	Flex Joint Ø28	Raccord Flex Ø28	Dehnbarer Anschluss Ø28	



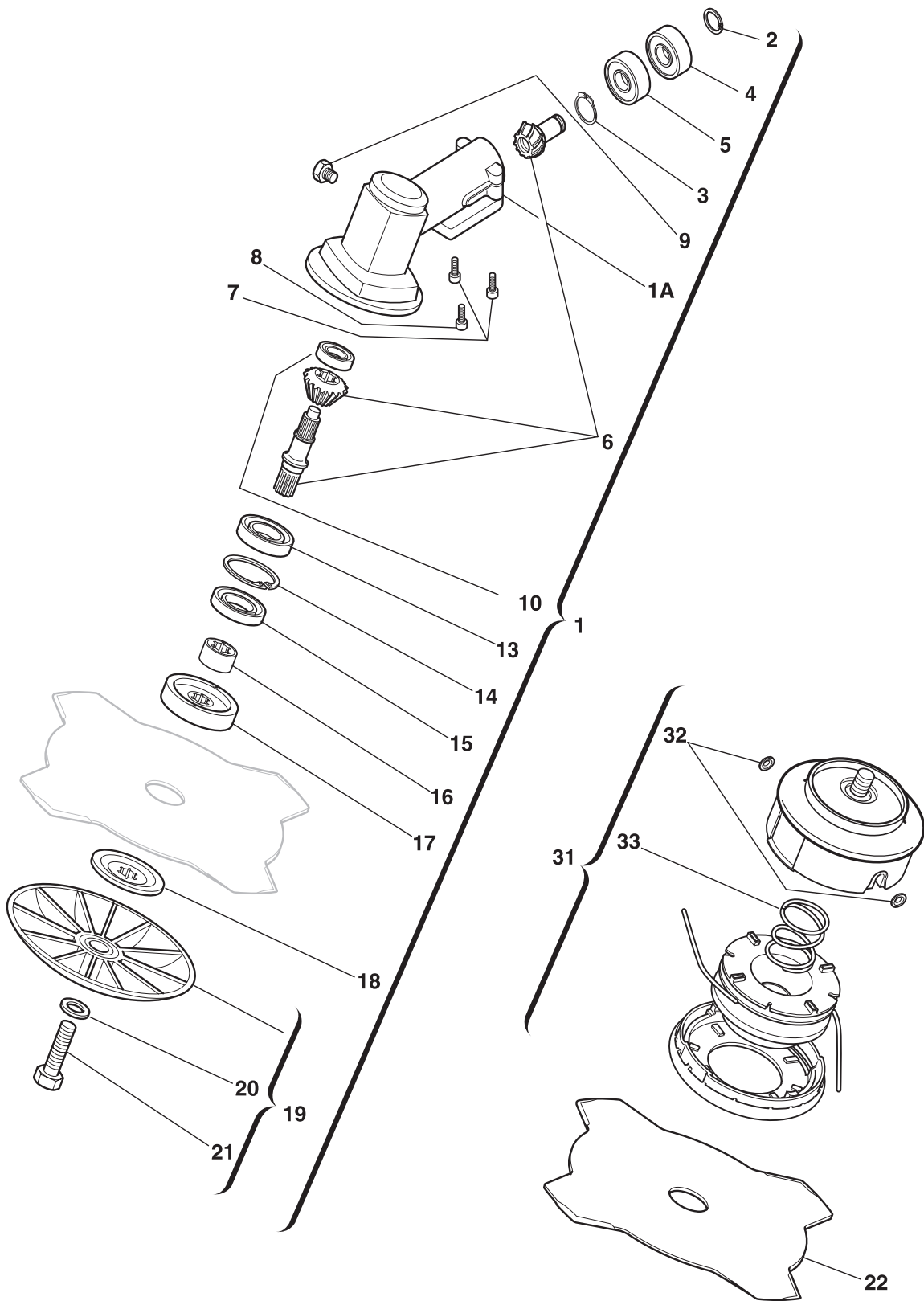


N°	Code	Q.ty	Descrizione	Description	Description	Beschreibung	Remarks
1	4252360	1	Ass.Zaino (Incl. 2-13)	Knap Sack (Incl. 2-13)	Sac À Dos (Incl. 2-13)	Rucksack (Inkl. 2-13)	
2	8122080	1	Ass. Telaio Zaino C/Bretelle	Knap Sack Frame Ass.Y W/Harness	Struct. Sac À Dos Avec Bretelles	Rahmen Rucksack M. Gurtzeug	
3	4612280	1	Piastra Supporto Motore	Engine Support	Support Moteur	Motorstützplatte	
4	3112170	1	Cuscinetto	Bearing	Roul. À Billes	Kugellager	
5	4612020	1	Flangia Cuscinetto	Bearing Flange	Bride Roulement	Lagerflansch	
6	2112260	3	Vite	Screw	Vis	Schraube	
7	2312090	3	Rosetta	Washer	Rondelle	Scheibe	
8	2432040	3	Dado	Nut	Ecrou	Mutter	
9	3654360	3	Molla Antivib.Zaino	Spring	Ressort	Feder	
10	2132110	6	Vite	Screw	Vis	Schraube	
11	2312130	6	Rosetta	Washer	Rondelle	Scheibe	
12	2432030	6	Dado	Nut	Ecrou	Mutter	
13	4252430	1	Corda Elastica	Elastic Cord	Corde Élastique	Elastisches Seil	



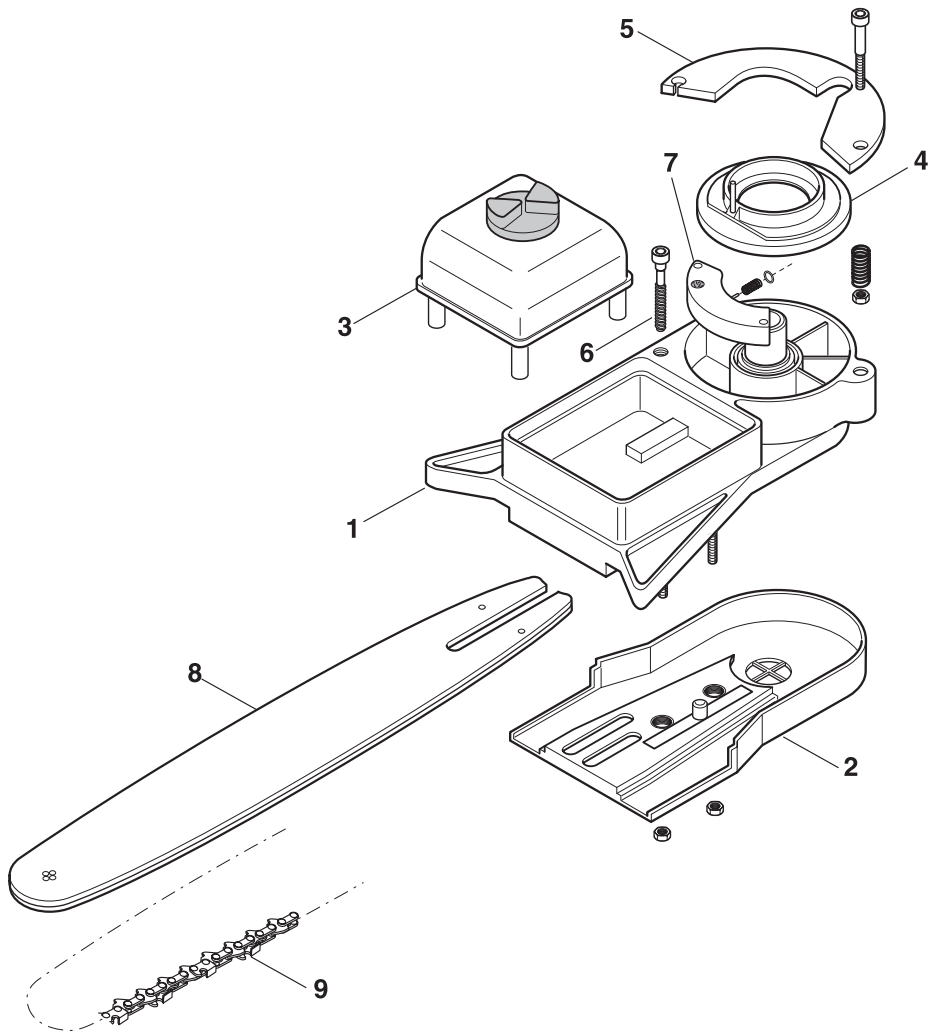


N°	Code	Q.ty	Descrizione	Description	Description	Beschreibung	Remarks
1	4250150/1	1	Ass.Testina Ingranaggi Ø26Mm	Gear Case Assy Ø26Mm	Ens.Boîte Engren. Ø26Mm	Set Zahnradgetriebe Ø26Mm	
1A	4540570	1	Carter Testina Ø26Mm	Gear Case Ø26Mm	Carter Boîte Engren.Ø26Mm	Zahnradgehäuse Ø26Mm	
2	3353100	1	Anello Seeger	Ring	Circlip	Ring	
3	3353050	1	Anello Seeger	Ring	Circlip	Ring	
4	3112200	1	Cuscinetto	Bearing	Roul. À Billes	Kugellager	
5	3112190	1	Cuscinetto	Bearing	Roul. À Billes	Kugellager	
6	8180240/1	1	Ass. Ingranaggi	Gear Assy	Ens. Engrenages	Getriebeeinheit	
7	2135050	2	Vite	Screw	Vis	Schraube	
8	2653090	1	Vite	Screw	Vis	Schraube	
9	2653460	1	Vite	Screw	Vis	Schraube	
10	3112210	1	Cuscinetto	Bearing	Roul. À Billes	Kugellager	
13	3112150	1	Cuscinetto	Bearing	Roul. À Billes	Kugellager	
14	3353080	1	Anello Seeger	Ring	Circlip	Ring	
15	3121170	1	Anello Di Tenuta	Seal Ring	Anneau De Tenue	Dichtring	
16	3641700/1	1	Collare	Collar	Collier	Stellring	
17	3641640	1	Ghiera Superiore	Upper Ring Nut	Bague Supérieure	Oberer Ringbolzen	
18	3612640	1	Ghiera Inferiore	Lower Ring Nut	Bague Inférieure	Unterer Ringbolzen	
19	4560610	1	Coppa Fissa	Stabilizer	Stabilisateur	Stabilisator	
20	2321230	1	Rosetta	Washer	Rondelle	Scheibe	
21	2653170	1	Vite	Screw	Vis	Schraube	
22	4611880	1	Disco 4 Punte 25 Cm	4 Teeth Disc 25 Cm	Lame À 4 Dents 25 Cm	Scheibe / 4 Zähne 25 Cm	
31	4353240/1	1	Testina 2 Fili Tap & Go	2 Hedges Nylon Head	Tête À 2 Fils Nylon	2 Drahtscheibe	
32	3643430	2	Boccole Passafilo	Passafilobushing	Passe-Fils	Büchse	
33	3654590	1	Molla	Spring	Ressort	Feder	



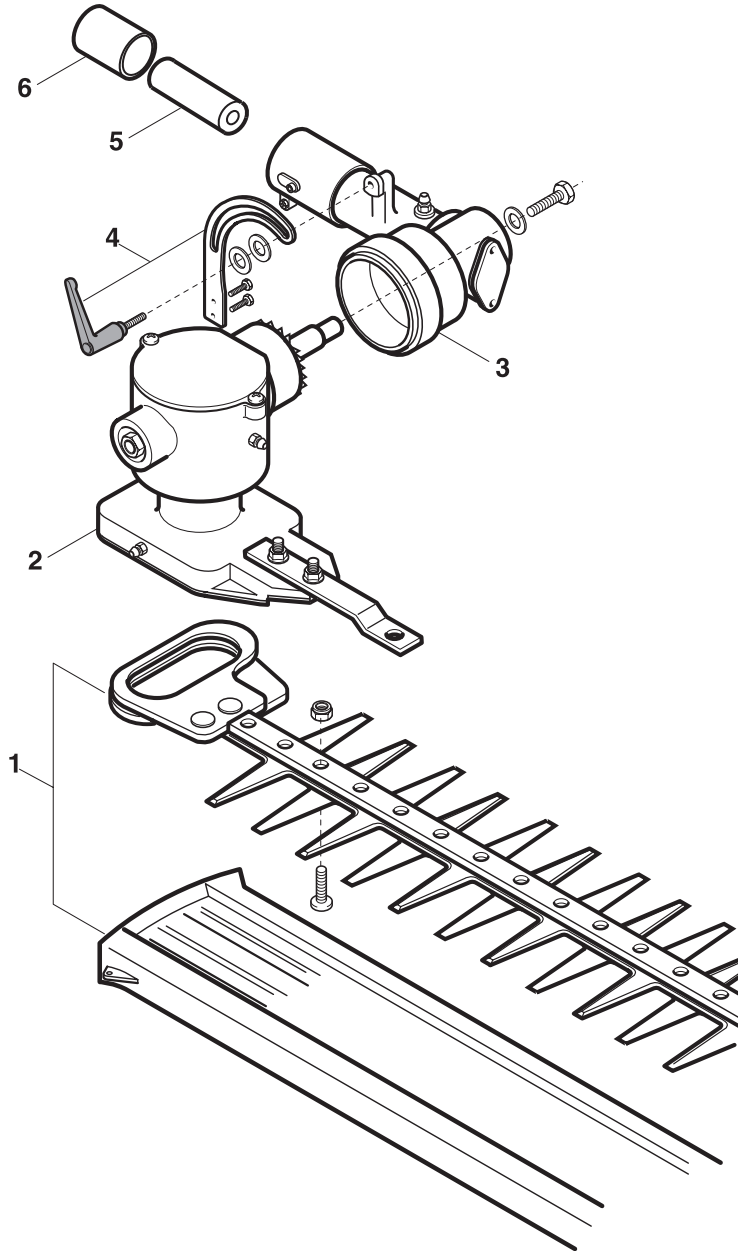


N°	Code	Q.ty	Descrizione	Description	Description	Beschreibung	Remarks
1	4250152/1	1	Ass.Testina Ø28Mm	Gear Case Assy Ø28	Ens.Boîte Engren. Ø28	Set Zahnradgetriebe Ø28	
1A	4540571	1	Carter Testina Ø28Mm	Gear Case Ø28	Carter Boîte Engren. Ø28	Zahnradgehäuse Ø28	
2	3353100	1	Anello Seeger	Ring	Circlip	Ring	
3	3353050	1	Anello Seeger	Ring	Circlip	Ring	
4	3112200	1	Cuscinetto	Bearing	Roul. À Billes	Kugellager	
5	3112190	1	Cuscinetto	Bearing	Roul. À Billes	Kugellager	
6	8180530/1	1	Ass. Ingranaggi	Gear Assy	Ens.Engrenages	Getriebeeinheit	
7	2135050	2	Vite	Screw	Vis	Schraube	
8	2653090	1	Vite	Screw	Vis	Schraube	
9	2653460	1	Vite	Screw	Vis	Schraube	
10	3112210	1	Cuscinetto	Bearing	Roul. À Billes	Kugellager	
13	3112150	1	Cuscinetto	Bearing	Roul. À Billes	Kugellager	
14	3353080	1	Anello Seeger	Ring	Circlip	Ring	
15	3121170	1	Anello Di Tenuta	Seal Ring	Anneau De Tenue	Dichtring	
16	3641700/1	1	Collare	Collar	Collier	Stellring	
17	3641640	1	Ghiera Superiore	Upper Ring Nut	Bague Supérieure	Oberer Ringbolzen	
18	3612640	1	Ghiera Inferiore	Lower Ring Nut	Bague Inférieure	Unterer Ringbolzen	
19	4560610	1	Coppa Fissa	Stabilizer	Stabilisateur	Stabilisator	
20	2321230	1	Rosetta	Washer	Rondelle	Scheibe	
21	2653170	1	Vite	Screw	Vis	Schraube	
22	4611880	1	Disco 4 Punte 25 Cm	4 Teeth Disc 25 Cm	Lame À 4 Dents 25 Cm	Scheibe / 4 Zähne 25 Cm	
31	4353240/1	1	Testina 2 Fili Tap & Go	2 Hedges Nylon Head	Tête À 2 Fils Nylon	2 Drahtscheibe	
32	3643430	2	Boccole Passafilo	Passafilobushing	Passe-Fils	Büchse	
33	3654590	1	Molla	Spring	Ressort	Feder	





N°	Code	Q.ty	Descrizione	Description	Description	Beschreibung	Remarks
1	6910501	1	Ass. Carter Trasmissione Ø26	Transmission Case Ass.Y Ø26	Ens.Carter Transmission Ø26	Antriebsgeh. Ø26	
2	6910502	1	Carter Catena	Chain Housing	Carter Chaîne	Kettengehäuse	
3	6910503	1	Serbatoio Olio	Oil Tank	Réservoir Huile	Öltank	
4	6910505	1	Coperchio Ø26	Cover Ø26	Couvercle Ø26	Abdeckung Ø26	
5	6910506	1	Flangia	Flange	Bride	Flansch	
6	6910507	1	Vite	Screw	Vis	Schraube	
7	6910508	1	Ass. Pompa Olio	Oil Pump Ass.Y	Pompe À Huile	Set Ölpumpe	
8	4112610	1	Barra 10"	Guide Bar 10"	Guide 10"	Stange 10"	10" 3/8" .042" / 1.1 mm
9	4113551	1	Catena 10"	Chain 10"	Chaîne 10"	Kette 10"	10" 3/8" .042" / 1.1 mm - 38E





N°	Code	Q.ty	Descrizione	Description	Description	Beschreibung	Remarks
1	6910520	1	Ass. Lame	Blade Ass.Y	Ens.Lame	Klingen	
2	6910521	1	Ass. Carter Trasmissione	Transmission Shaft Ass.Y	Ens.Carter Transmission	Antriebsgeh.	
3	6910524	1	Ass. Testina	Gear Case Ass.Y	Ens.Boîte Engrenage	Antriebsgehäuse	
4	6910523	1	Leva+Staffa Di Regolazione	Lever+Regulation Rod	Levier+Barre De Réglage	Hebel+Regelungsbügel	
5	4252640	1	Manicotto	Coupling	Manchon	Muffe	
6	2382430	1	Distanziale	Spacer	Entretoise	Entfernungsstück	