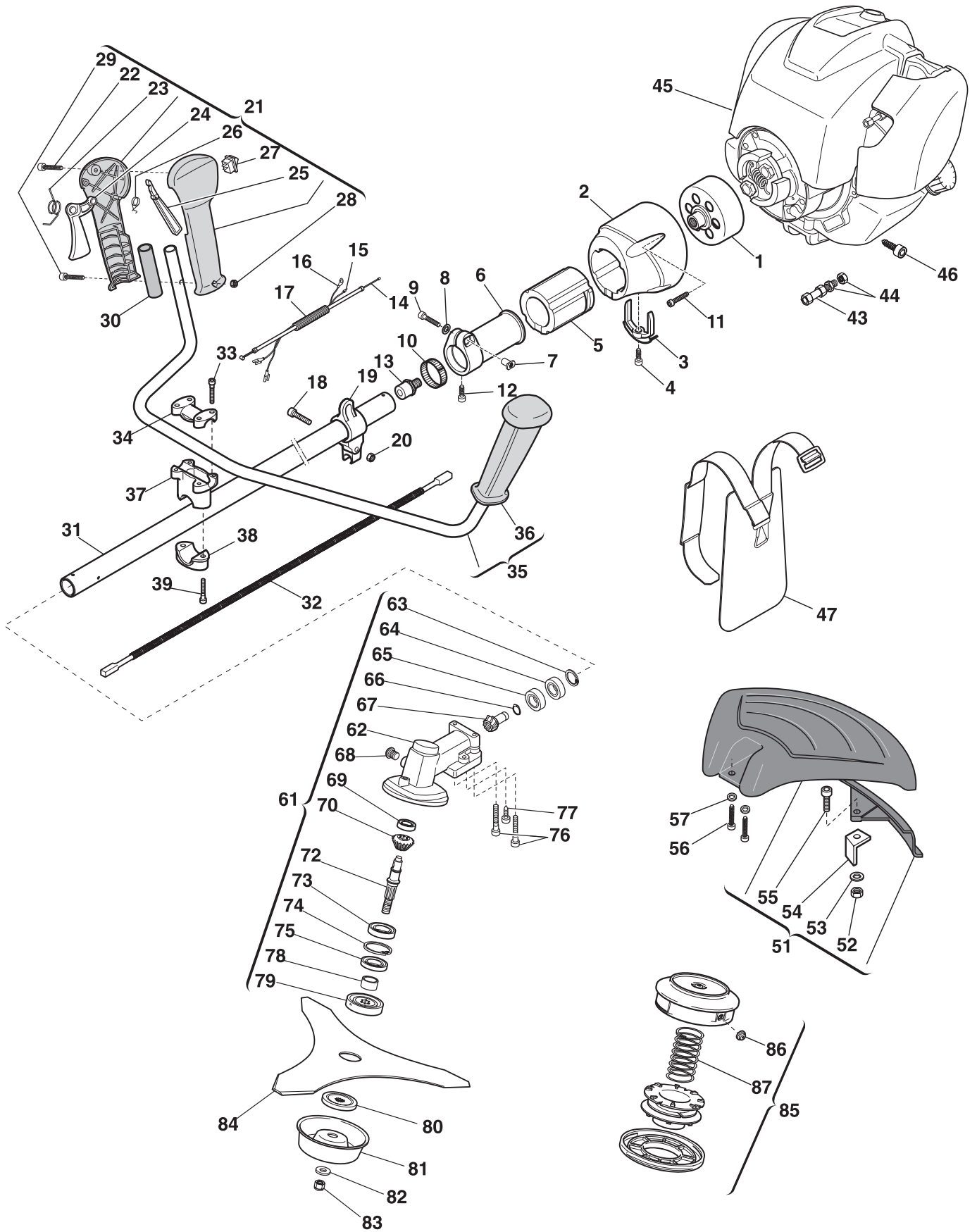


N°	Code	Q.ty	Descrizione	Description	Description	Beschreibung	Remarks
1	83050004/0	1	Ass. Campana Frizione	Drum Ass'Y, Clutch	Cloche Embrayage	Set Kupplungs- sglocke	
2	23782005/0	1	Ass.Supporto Trasm.	Support Trasm.Assy	Ens.Support Transm.	Getriebeplattform	
3	23232001/0	1	Forcella	Fork	Fourche	Gabel	
4	2123100	1	Vite	Screw	Vis	Schraube	
5	23275000/0	1	Gommino	Grommet	Caoutchouc	Gummi	
6	23782003/0	1	Supporto	Support	Support	Halter	
7	3643470	1	Boccola	Bushing	Douille	Büchse	
8	2312020	1	Rosetta	Washer	Rondelle	Scheibe	
9	2135040	1	Vite	Screw	Vis	Schraube	
10	3180560	1	Riduzione	Reduction	Réduction	Reduzierstück	
11	2135150	4	Vite	Screw	Vis	Schraube	
12	2123100	1	Vite	Screw	Vis	Schraube	
13	23445258/0	1	Mozzo Cuscinetto	Bearing Hub	Moyeu Roulement	Lagernabe	
14	23066001/0	1	Cavo Acceleratore	Wire Ass.Y	Câble Accélér.	Starterkabel	
15	23065002/0	1	Cavo Bobina-Interruttore	Coil-Switch Cable	Câble Bobine-Interrupt.	Spulendraht-Schal- ter	
16	23065003/0	1	Cavo Massa	Earth Cable	Câble Masse	Erdungskabel	
17	3786240	1	Guaina Cavi	Wire Sheath	Gaine Câbles	Kabelmantel	
18	2135040	1	Vite	Screw	Vis	Schraube	
19	23780000/0	1	Supporto Bretelle	Harness Support	Support Hamais	Gurtzeughalter	
20	2412030	1	Dado	Nut	Ecrou	Mutter	
21	8563830	1	Ass. Impugnatura	Handle Ass.Y	Ens.Poignée	Set Handgriff	
22	2123030	1	Vite	Screw	Vis	Schraube	
23	3654270/1	1	Molla Leva Acceleratore	Spring	Ressort	Feder Gashebel	
24	3743431/1	1	Leva Acceleratore	Throttle Lever	Levier Accélérateur	Gashebel	
25	3743441	1	Leva Di Sicurezza	Safety Lever	Levier De Sécurité	Sicherheitshebel	
26	3654280/1	1	Molla Leva Di Sicurezza	Spring	Ressort	Feder Sicherhei- tshebel	
27	3210970	1	Interruttore Stop	Stop Switch	Interrupteur D'Arrêt	Stop-Schalter	
28	12154330/0	1	Dado	Nut	Ecrou	Mutter	
29	2135050	1	Vite	Screw	Vis	Schraube	
30	23655001/0	1	Riduzione	Reduction	Réduction	Reduzierstück	
31	4252880	1	Ass. Tubo Trasmiss.	Transmission Pipe Ass.Y	Ens.Tube Transm.	Set Rohr Pulse	
32	4630101	1	Ass. Albero Trasmissione	Transmission Shaft Ass.Y	Ens.Arbre Transm.	Set Antriebswelle	
33	2135060	4	Vite	Screw	Vis	Schraube	
34	4541500/1	1	Supporto Manubrio Sup.	Upper Handgrip Support	Support Guidon Sup.	Handgriffhalter Unterteil	
35	83394003/0	1	Ass. Manubrio	Handle Ass.Y	Ens. Guidon	Set Handgriff	
36	23395050/0	1	Impugnatura Sinistra	Left Handle	Poignée Gauche	Handgriff Links	
37	4541490/1	1	Supporto Manubrio	Handle Support	Support Guidon	Handgriffhalter	
38	4541510	1	Ass.Supporto Manubrio Inf.	Lower Handgrip Support	Support Guidon Inf.	Handgriffhalter Oberteil	
39	2135050	2	Vite	Screw	Vis	Schraube	
43	3630600/1	1	Registro Cavo Accleratore	Throttle Cable Adjuster	Registre	Regler	
44	2412090	2	Dado	Nut	Ecrou	Mutter	
45	*	1	Motore	Engine	Moteur	Motor	Honda GX 25
46	2135020	1	Vite	Screw	Vis	Schraube	
47	4253460	1	Bretella	Harness	Hamais	Gurtzeug	
51	8563570	1	Ass. Paraspruzzi	Safety Cover Ass.Y	Ens. Capot Anti-Projections	Set Spritzschutz	
52	2432040	1	Dado	Nut	Ecrou	Mutter	
53	2312150	1	Rosetta	Washer	Rondelle	Scheibe	
54	3615000	1	Lamierino Tagliafilo	Line Cutter	Coupe-Fil	Drahtscherenblech	
55	2135030	1	Vite	Screw	Vis	Schraube	
56	2135060	2	Vite	Screw	Vis	Schraube	
57	2312150	2	Rosetta	Washer	Rondelle	Scheibe	





N°	Code	Q.ty	Descrizione	Description	Description	Beschreibung	Remarks
61	83820500/1	1	Ass.Testina Ingranaggi	Gear Case Assy	Ens.Boîte Engren.	Set Zahnradgetriebe	
62	23056301/0	1	Carter Testina	Gear Case	Carter Boîte Engren.	Zahnradgehäuse	
63	3353120	1	Anello Seeger	Seeger Ring	Circlip	Seegerring	
64	3112220	1	Cuscinetto	Bearing	Roul. À Billes	Kugellager	
65	3112210	1	Cuscinetto	Bearing	Roul. À Billes	Kugellager	
66	3353070	1	Anello Seeger	Seeger Ring	Circlip	Seegerring	
67	3180260	1	Pignone	Pinion	Pignon	Ritzel	
68	2653460	1	Vite	Screw	Vis	Schraube	
69	3112230	1	Cuscinetto	Bearing	Roul. À Billes	Kugellager	
70	23092002/0	1	Corona Testina	Ring Gear	Couronne	Zahnkranz	
72	23020011/0	1	Albero Testina	Shaft	Arbre	Welle	
73	3112240	1	Cuscinetto	Bearing	Roul. À Billes	Kugellager	
74	3353130	1	Anello Seeger	Seeger Ring	Circlip	Seegerring	
75	3121180	1	Anello Di Tenuta	Oil Seal	Anneau D'Étanchéité	Dichtring	
76	2135050	2	Vite	Screw	Vis	Schraube	
77	2653090	1	Vite	Screw	Vis	Schraube	
78	3660680	1	Collare	Collar	Collier	Stelling	
79	3641650	1	Ghiera Superiore	Upper Ring Nut	Bague Supérieure	Oberer Ringbolzen	
80	3612650	1	Ghiera Inferiore	Lower Ring Nut	Bague Inférieure	Unterer Ringbolzen	
81	3615300	1	Coppa Fissa	Stabilizer	Stabilisateur	Stabilisator	
82	2321060	1	Rosetta	Washer	Rondelle	Scheibe	
83	2452090	1	Dado	Nut	Ecrou	Mutter	
84	6031172	1	Disco 3 Punte 25 Cm	3 Teeth Disc 25 Cm	Lame À 3 Dents 25 Cm	Scheibe / 3 Zähne 25 Cm	
85	23155000/0	1	Testina 2 Fili Tap & Go	2 Hedges Nylon Head	Tête À 2 Fils Nylon	2 Drahtscheibe	
86	3643430	2	Boccole Passafilo	Passafilobushing	Passe-Fils	Büchse	
87	3654590	1	Molla	Spring	Ressort	Feder	