



GEOTEC OHV Models

Division 3
Section B

Issued: 08/99
Revised: 08/00

GEOTEC OHV E-68	66,60 mm	49,20 mm	172 cc
GEOTEC OHV E-69	71,00 mm	49,20 mm	195 cc
GEOTEC OHV G E-68	66,60 mm	49,20 mm	172 cc
GEOTEC OHV G E-69	71,00 mm	49,20 mm	195 cc

GEOTEC OHV E-68	E-68001	E-68011A	E-68021	E-68031	E-68041
GEOTEC OHV E-69	E-69001	E-69002	E-69002A	E-69004	E-69004B
	E-69005	E-69044B	E-69064B		
GEOTEC OHV G E-68	E-68800	E-68802A	E-68802B		
GEOTEC OHV G E-69	E-69800	E-69800A	E-69802A		

GEOTEC OHV Models

Issued: 08/99

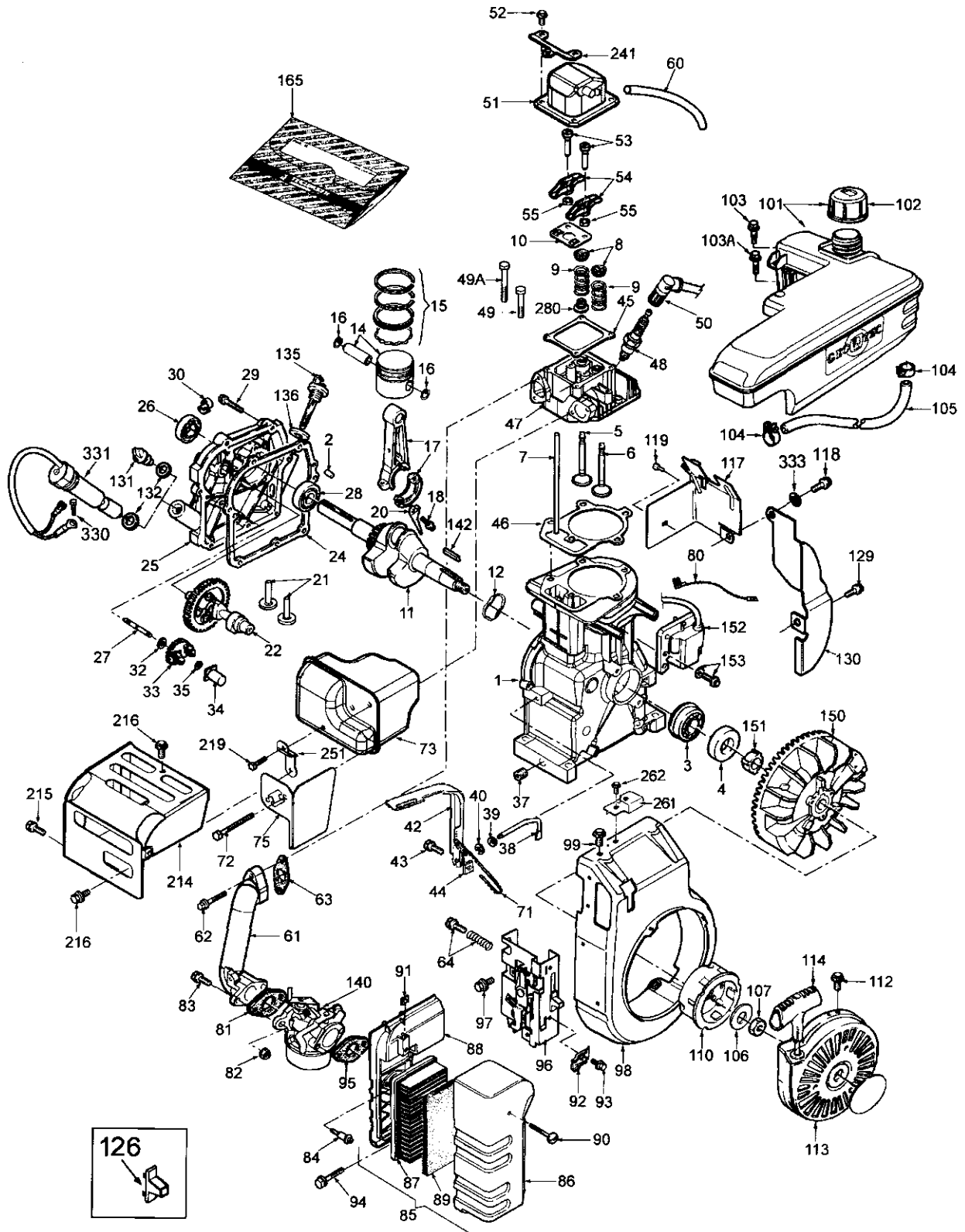
Revised: 08/00

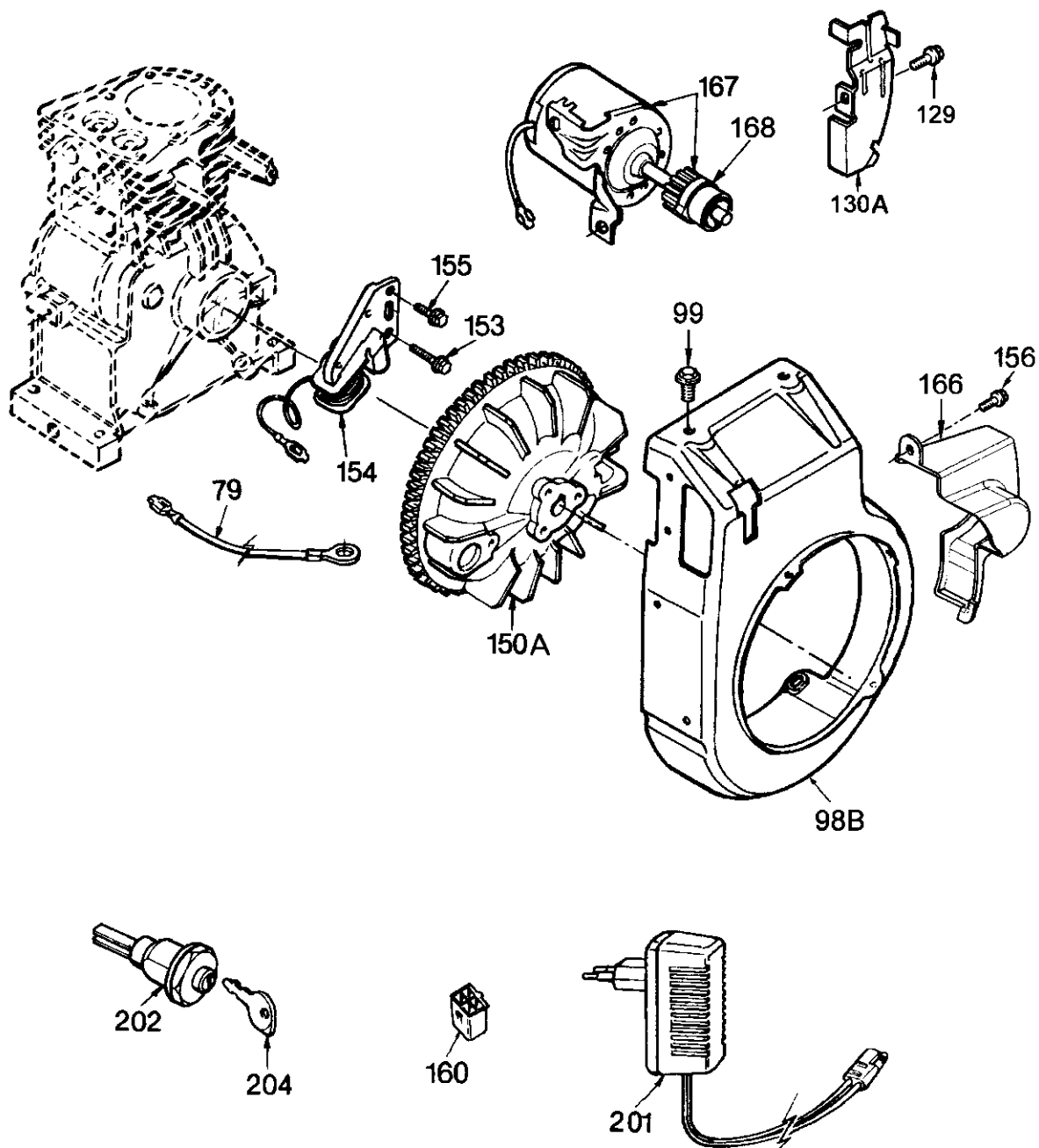


GEOTEC OHV E-68	Carburettor	Rc. Starter	EI. Starter	Crankshaft	Idle Rpm +/- 200	High Rpm +/- 100
E-68001	23025157	14210090		16070135	2000	3150
E-68011A	23025157	14210090		16070141	2000	3150
E-68021	23025157	14210076		16070135	2000	3150
E-68031	23025157	14210090		16070135	2000	3500
E-68041	23025157	14210090		16070135	2000	3150
GEOTEC OHV E-69	Carburettor	Rc. Starter	EI. Starter	Crankshaft	Idle Rpm +/- 200	High Rpm +/- 100
E-69001	23025157	14210090		16070135	2000	3150
E-69002	23025157	14210090		16070135	2000	3150
E-69002A	23025157	14210090		16070135	2000	3150
E-69004	23025157	14210076		16070135	2000	3150
E-69004B	23025157	14210090		16070135	2000	3150
E-69005	23025157	14210090	16410002	16070135	2000	3150
E-69044B	23025157	14210090		16070143	2000	3150
E-69064B	23025157	14210090		16070135	2000	3150
GEOTEC OHV G E-68	Carburettor	Rc. Starter	EI. Starter	Crankshaft	Idle Rpm +/- 200	High Rpm +/- 100
E-68800	23025157	14210090		16070137	2000	3150
E-68802A	23020161	14210090		16070137	2000	3150
E-68802B	23020161	14210090		16070137	2000	3150
GEOTEC OHV G E-69	Carburettor	Rc. Starter	EI. Starter	Crankshaft	Idle Rpm +/- 200	High Rpm +/- 100
E-69800	23025157	14210090		16070137	2000	3150
E-69800A	23025157	14210090		16070137	2000	3150
E-69802A	23020161	14210090		16070137	2000	3150

Tecumseh products made in Italy by

TECUMSEH EUROPA S.p.A.





Tecumseh products made in Italy by

TECUMSEH EUROPA S.p.A.



GEOTEC OHV Models

Issued: 08/99
Revised: 08/00

Division	3
Section	B

Ref.No.	Part No.	Part Name
1	16010090	Cylinder Assy. (Inc.-2,3,4,37)(66.60 mm Bore) E-68001 ,011A,021,031,041,800,802A,802B
1	16010093	Cylinder Assy. (Inc.-2,3,4,37)(71.00 mm Bore) E-69001 ,002,002A,004,004B,044B,064B,800,800A,802A
1	16010098	Cylinder Assy. (Inc.-2,3,4,37)(71.00 mm Bore) E-69005
2	29410001	Dowel Pin
3	27430009	Ball Bearing
4	29610034 *	Oil Seal
5	16130001	Intake Valve (Inc.-9,10)(Std)
5	16130002	Intake Valve (Inc.-9,10)(OS. 0.80 mm)
6	16140009	Exhaust Valve (Inc.-9,10)(Std)
6	16140010	Exhaust Valve (Inc.-9,10)(OS. 0.80 mm)
7	22450005	Push Rod
8	22470006	Lower Valve Spring Keeper
9	27910003	Valve Spring
10	22450007	Push Rod Guide
11	16070135	Crankshaft E-68001 ,021,031,041 E-69001 ,002,002A,004,004B,005,064B
11	16070137	Crankshaft E-68800 ,802A,802B E-69800 ,800A,802A
11	16070141	Crankshaft E-68011A
11	16070143	Crankshaft E-69044B
12	29590029	Thrust Washer
14	16090027	Piston & Pin Assy. (Inc.-16)(OS. 0.25 mm)
14	16090028	Piston & Pin Assy. (Inc.-16)(OS. 0.50 mm)
14	16090029	Piston & Pin Assy. (Inc.-16)(Std 66.60 mm Bore) E-68001 ,011A,021,031,041,800,802A,802B
14	16090033	Piston & Pin Assy. (Inc.-16)(Std 71.00 mm Bore)
14	16090034	Piston & Pin Assy. (Inc.-16)(OS. 0.25 mm)
14	16090035	Piston & Pin Assy. (Inc.-16)(OS. 0.50 mm) E-69001 ,002,002A,004,004B,005,044B,064B,800,800A,802A
15	16010024	Ring Set (Std 71.00 mm Bore)
15	16010025	Ring Set (OS. 0.25 mm)
15	16010026	Ring Set (OS. 0.50 mm) E-69002A
15	16100018	Ring Set (Std 66.60 mm Bore)
15	16100019	Ring Set (OS. 0.25 mm)
15	16100020	Ring Set (OS. 0.50 mm) E-68001 ,011A,021,031,041,800,802A,802B
15	16100024	Ring Set (Std 71.00 mm Bore)
15	16100025	Ring Set (OS. 0.25 mm)
15	16100026	Ring Set (OS. 0.50 mm) E-69001 ,002,004,004B,005,044B,064B,800,800A,802A
16	29450004	Piston Pin Retainer
17	16110011	Connecting Rod (Inc.-18,20)
18	29190164	Screw 1/4-20 (L=23mm)
20	22330006	Oil Dipper
21	22440004	Valve Lifter
22	16120012	Camshaft (MCR) E-68001 ,011A,021,031,041,800,802A,802B

Note: Always check Master Price List for replacement part numbers.

Tecumseh products made in Italy by

TECUMSEH EUROPA S.p.A.

3	Division
	Section
B	

GEOTEC OHV Models

Issued: 08/99
Revised: 08/00



Ref.No.	Part No.	Part Name
22	16120018	Camshaft (MCR) E-69001 ,002,002A,004,004B,005,044B,064B,800,800A,802A
24	29630020	* Cylinder Cover Gasket
25	16040016	Cylinder Cover (Inc.-26,27,28)
26	29610002	* Oil Seal
27	22720011	Governor Rod Retainer
27	22720011	Governor Shaft
28	27430001	Ball Bearing
29	29190171	Screw 1/4-20 (L=24mm)
30	29490005	Fuel Line Clamp
32	29510015	Washer
33	16170005	Governor Gear
34	22740010	Governor Spool
35	29450005	Governor Gear Retainer
37	29320003	Oil Drain Plug
38	22750017	Governor Rod
39	29510010	Washer
40	29450021	Governor Rod Retainer
42	27240145	Governor Lever
43	29160003	Screw M5 (L=20mm)
44	29220006	Nut M5
45	29630110	Rocker Arm Cover Gasket
45	29630110	* Rocker Arm Cover Gasket
46	29620028	Cylinder Head Gasket
46	29620028	* Cylinder Head Gasket E-69001 ,002,002A,004,004B,005,044B,064B,800,800A,802A
46	29620029	* Cylinder Head Gasket E-68001 ,011A,021,031,041,800,802A,802B
47	16050004	Cylinder Head (Inc.-5,6,8,9,10,45,53,54,55) E-69001 ,002,002A,004,004B,005,044B,064B,800,800A,802A
47	16050005	Cylinder Head (Inc.-5,6,8,9,10,45,53,54,55) E-68001 ,011A,021,031,041,800,802A,802B
48	29010014	Spark Plug
49	29180072	Screw 5/16-18 (L=39mm)
49A	29180083	Screw 5/16-18 (L=66mm)
50	15950002	Spark Plug Cover
51	17520001	Rocker Arm Cover
52	29190192	Screw 1/4-20 (L=12mm)
53	29180071	Screw 1/4-28 (L=30mm)
54	22450006	Rocker Arm
55	29210038	Nut 1/4-28
60	21670014	Breather Tube E-68021 E-69004
60	26670001	Breather Tube E-68001 ,011A,031,041,800,802A,802B E-69001 ,002,002A,004B,005,044B,064B,800,800A,802A
61	21510020	Intake Pipe
62	29190171	Screw 1/4-20 (L=24mm)
63	29630159	Intake Pipe Gasket
63	29630159	* Intake Pipe Gasket
64	16630023	Control Screws Set E-68001 ,011A,021,031,041,800 E-69001 ,002,002A,004,004B,005,044B,064B
71	27920178	Governor Spring
72	29190333	Screw 1/4-20 (L=70mm)

Note: Always check Master Price List for replacement part numbers.

Tecumseh products made in Italy by

TECUMSEH EUROPA S.p.A.



GEOTEC OHV Models

Issued: 08/99
Revised: 08/00

Division	3
Section	B

Ref.No.	Part No.	Part Name
73	21520156	Muffler E-68001 ,011A,021,800 E-69001 ,002,002A,004,004B,005,044B,064B,800,800A
73	21520157	Muffler E-68031 ,041
73	21520166	Muffler E-68802A ,802B E-69802A
75	24330161	Muffler Guard
79	14940020	Ground Wire (To Battery) E-69005
80	16380001	Ground Wire
81	29630013	* Carburettor Gasket
82	29210013	Nut 1/4-20
83	29190219	Screw 1/4-20 (L=22mm)
84	29190208	Screw 10-32 (L=16mm)
85	16290027	Air Filter Assy. (Inc.-86,87,88,89,90,91) E-68001 ,011A,021,031,041,800,802A,802B E-69001 ,002,002A,004,005,800,800A,802A
85	16290031	Air Filter Assy. (Inc.-86,87,88,89,90,91) E-69004B ,044B,064B
86	23430089	Air Filter Cover E-68001 ,011A,021,031,041,800,802A,802B E-69001 ,002,002A,004,005,800,800A,802A
86	23430094	Air Filter Cover E-69004B ,044B
86	23940094	Air Filter Cover E-69064B
87	23410061	Air Cleaner Filter (Paper)
88	23420069	Air Filter Body E-68001 ,011A,021,031,041,800,802A,802B E-69001 ,002,002A,004,005,800,800A,802A
88	23420073	Air Filter Body E-69004B ,044B,064B
89	23410062	Air Cleaner Filter
90	29190242	Screw M5 (L=36 mm)
91	29220007	Nut M5
92	29490004	Conduit Clip
93	29190174	Screw 10-32 (L=6mm) E-68021 ,041 E-69004 ,004B
94	29190091	Screw 10-32 (L=13mm)
95	29630086	* Air Filter Gasket
96	17410105	Remote Speed Control (Inc.-64) E-68021 ,041 E-69004 ,004B
96	17410109	Manual Speed Control (Inc.-64,126) E-69002 ,002A,005
96	17410111	Fixed Speed Control (Inc.-64) E-68800 ,802A,802B E-69800 ,800A,802A
96	17410114	Manual Speed Control (Inc.-64,126) E-68001 ,011A,031 E-69001 ,044B,064B
97	29190177	Screw M5 (L=10mm)
98	24320261	Blower Housing E-68001 ,011A,021,031,041,800,802A,802B E-69001 ,002,002A,004,004B,044B,064B,800,800A,802A

Note: Always check Master Price List for replacement part numbers.

Tecumseh products made in Italy by
TECUMSEH EUROPA S.p.A.

3	Division
3	Section

GEOTEC OHV Models

Issued: 08/99
Revised: 08/00



Ref.No.	Part No.	Part Name
98B	24320263	Blower Housing E-69005
99	29190038	Screw 1/4-20 (L=12mm)
101	16210038	Fuel Tank (Inc.-102) E-68001 ,021,031 E-69001 ,002,004
101	16210040	Fuel Tank (Inc.-102) E-68041 ,800 E-69005 ,800
101	16210041	Fuel Tank (Inc.-102) E-68011A ,802A,802B E-69002A ,004B,044B,064B,800A,802A
102	13350003	Fuel Filler Cap
103	29190091	Screw 10-32 (L=13mm)
103A	29190090	Screw 10-32 (L=14mm) E-68001 ,031,041,800 E-69001 ,002,002A,005,800
104	29490031	Fuel Line Clamp
105	16270001	Fuel Line (Available only in 5m coils)
106	29510050	Belleville Washer
107	29210020	Nut 1/2-20
110	24220015	Starter Cup
112	29190180	Screw 8-32 (L=8mm)
113	14210076	Rewind Starter (Inc.-114) E-68021 E-69004
113	14210090	Rewind Starter (Inc.-114) E-68001 ,011A,031,041,800,802A,802B E-69001 ,002,002A,004B,005,044B,064B,800,800A,802A
114	24230004	Starter Handle
117	24330169	Protection Bracket E-68001 ,021,031,041,800 E-69001 ,002,004,005,800
117	24330174	Protection Bracket E-68011A ,802A,802B E-69002A ,004B,044B,064B,800A,802A
118	29190038	Screw 1/4-20 (L=12mm) E-69005
118	29190051	Screw 1/4-20 (L=15mm) E-68011A ,802A,802B E-69002A ,004B,044B,064B,800A,802A
118	29190310	Screw 1/4-20 (L=10mm) E-68001 ,021,031,041,800 E-69001 ,002,004,800
119	29190186	Screw 10-24 (L=14mm)
126	24230019	Control Lever Knob E-68001 ,011A,031,041,800,802A,802B E-69001 ,002,002A,005,044B,064B,800A,802A
129	29190038	Screw 1/4-20 (L=12mm) E-68001 ,011A,021,031,041,800,802A,802B E-69001 ,002,002A,004,004B,005,044B,064B,800
129	29190051	Screw 1/4-20 (L=15mm) E-69800A ,802A
130	24330140	Protection Bracket E-68001 ,021,031,041,800 E-69001 ,002,004,800
130	27410159	Protection Bracket E-68011A ,802A,802B E-69002A ,004B,044B,064B,800A,802A

Note: Always check Master Price List for replacement part numbers.

Tecumseh products made in Italy by

TECUMSEH EUROPA S.p.A.



GEOTEC OHV Models

Issued: 08/99
Revised: 08/00

Division	3
Section	B

Ref.No.	Part No.	Part Name
130A	14330013	Blower Housing Extension E-69005
131	29320041	Oil Filler Plug E-68001 ,011A,021,031,041 E-69001 ,004,004B,044B,064B
132	29630008 *	Oil Filler Gasket
132	29630008	Oil Filler Gasket E-68800 ,802A,802B E-69002 ,002A,005,800,800A,802A
132	29630096 *	Oil Filler Gasket E-68001 ,011A,021,031,041 E-69001 ,004,004B,044B,064B
135	29320040	Oil Dipstick
136	29630094 *	Oil Dipstick Gasket
140	23020161	Carburettor E-68802A ,802B E-69802A
140	23025157	Carburettor E-68001 ,011A,021,031,041,800 E-69001 ,002,002A,004,004B,005,044B,064B,800,800A
142	29410009	Flywheel Key
150	14110023	Flywheel (Heavy) E-69004B ,044B,064B
150	24110045	Flywheel (Heavy) E-68001 ,011A,021,031,041,800,802A,802B E-69001 ,002,002A,004,800,800A,802A
150A	14110024	Flywheel (Heavy) E-69005
151	29490055	Flywheel Key Spacer
152	14160075	Solid State (Coil & Lamination)(Inc.-50)
153	29190168	Screw 10-24 (L=24mm)
154	14450001	Alternator Coil
155	29190266	Screw 8-32 (L=11mm)
156	29190090	Screw 10-32 (L=14mm)
160	24450007	Connector E-69005
165	16610030	Gasket Set E-69800A ,802A
165	16610033	Gasket Set
165	16610033	E-68001 ,011A,021,031,041,800,802A,802B E-69001 ,002,002A,004,004B,005,044B,064B,800
166	24330156	Starter Cover
167	16410002	Electric Starter Motor (Inc.-168)
168	16630037	Kit Starter Pinion
201	24450010	Battery Charger
202	16360002	Switch Assy .
204	24450011	Ignition Key E-69005
214	24330157	Muffler Guard
215	29190091	Screw 10-32 (L=13mm)
216	29190186	Screw 10-24 (L=14mm)
219	29190221	Self-threading Screw
241	27410151	Muffler Guard Bracket
251	27410150	Muffler Bracket
261	27410158	Fuel Tank Bracket (Upper)

Note: Always check Master Price List for replacement part numbers.

Tecumseh products made in Italy by
TECUMSEH EUROPA S.p.A.

3	Division
B	Section

GEOTEC OHV Models

Issued: 08/99
Revised: 08/00



Ref.No.	Part No.	Part Name
262	29190038	Screw 1/4-20 (L=12mm) E-69004B ,044B,064B,802A
280	19610001 *	Intake Valve Seal
280	19610001	Intake Valve Seal
330	29190174	Screw 10-32 (L=6mm) E-69002
331	19710002	Oil Level Sensor E-68800 ,802A,802B E-69002 ,002A,005,800,800A,802A
333	29510054	Washer E-68011A ,802A,802B E-69800A

Note: Always check Master Price List for replacement part numbers.

Tecumseh products made in Italy by

TECUMSEH EUROPA S.p.A.