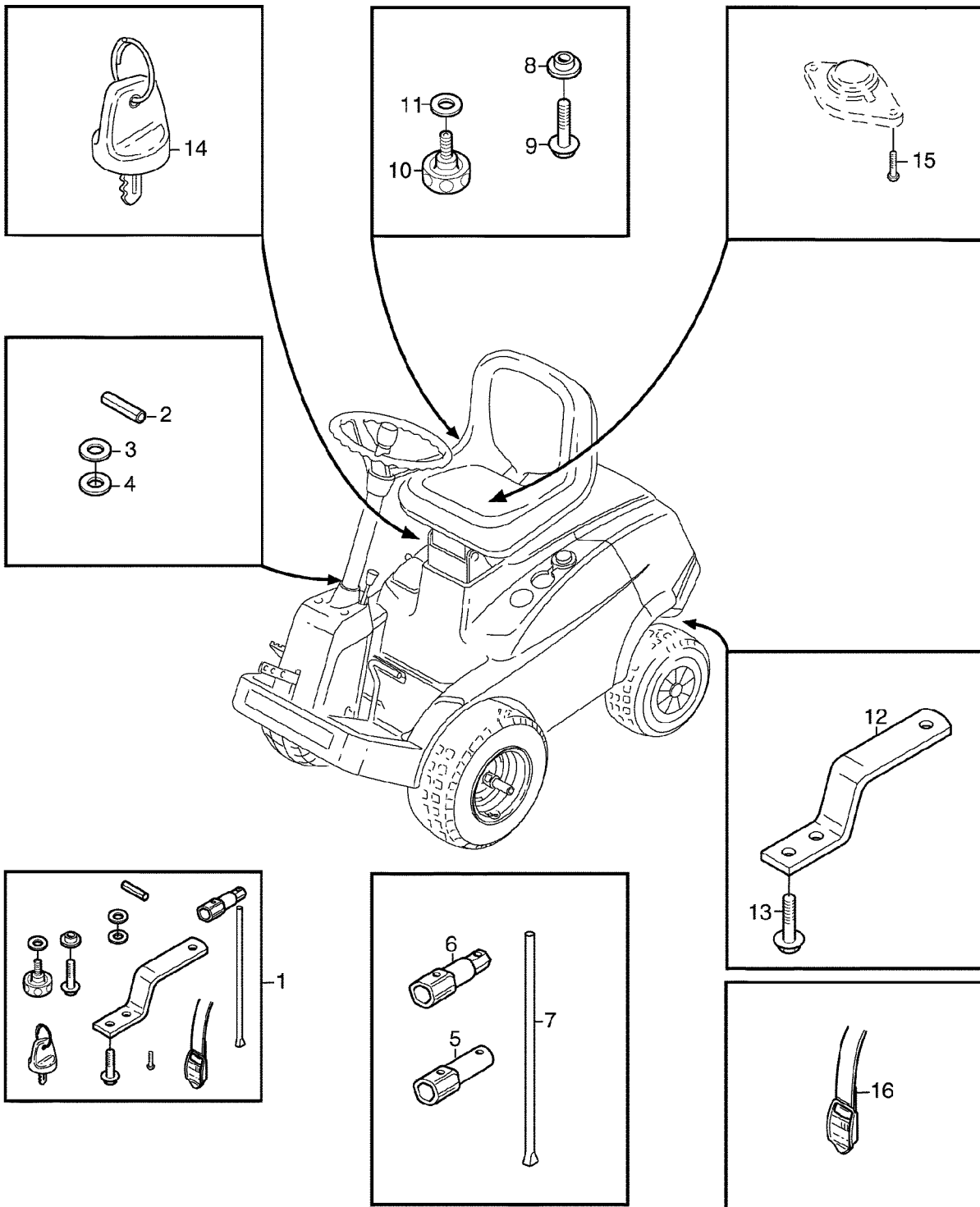


Illustration A15 TEILESATZ

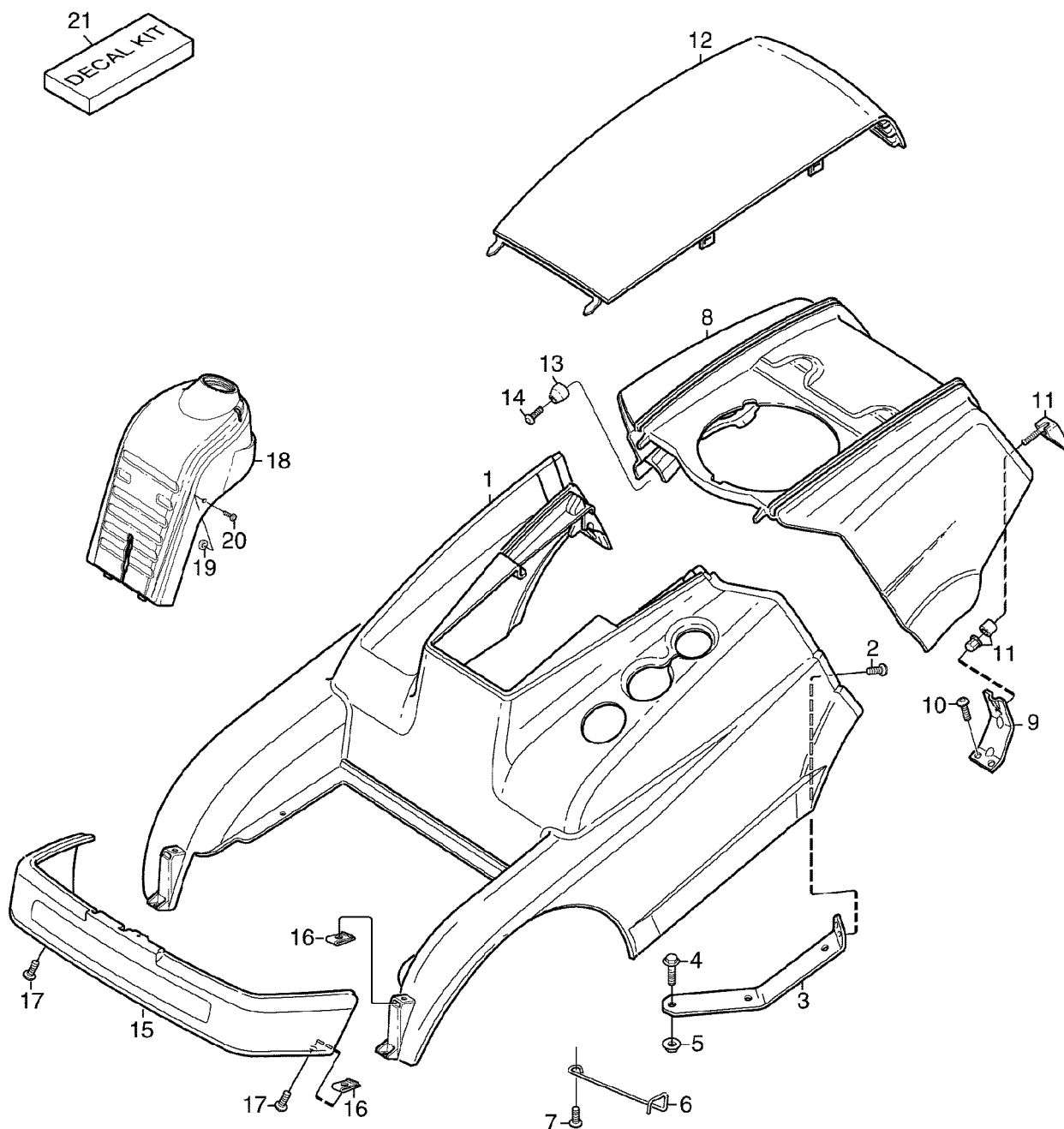


SA001793

Illustration A15 TEILESATZ

| Bild Nr. | St.- Zahl | Teile Nr. | Beschreibung |
|----------|--------------|--------------|--|
| 1 | 1 | SB1134466405 | SACK ASSY, INCL KEYS 2, 3, 4, 5, 6, 7, 8, 9, |
| 2 | 1 | ER024441 | SPANNSTIFT 6X36 |
| 3 | 1 | SB9699010302 | UNTERLEGSCHEIBE 16X38X0,5 |
| 4 | 1 | SB9699011402 | UNTERLEGSCHEIBE 16X38X1,0 |
| 5 | 1 | SB1134296002 | MAUL-RINGSCHLUESSEL 5/8 |
| 6 | 1 | SB1134454101 | MAUL-RINGSCHLUESSEL 5/8/21 MM |
| 7 | 1 | SB1111211301 | STANGE |
| 8 | 2 | SB1134418501 | UNTERLEGSCHEIBE |
| 9 | 2 | 19M7866 | SCHRAUBE M8X20 |
| 10 | 2 | SB1134260901 | KNOPF |
| 11 | 4 | 24M7298 | UNTERLEGSCHEIBE 8,4X24X2,0 |
| 12 | 1 | SB1134462701 | STANGE |
| 13 | 2 | 19M7866 | SCHRAUBE M8X20 |
| 14 | 1 | SB1134473401 | SCHLUESSEL |
| 15 | 2 | SB9837891412 | SCHRAUBE K7X14 |
| 16 | 1 | SB9400006402 | HALTER |

Illustration A17 VERKLEIDUNG

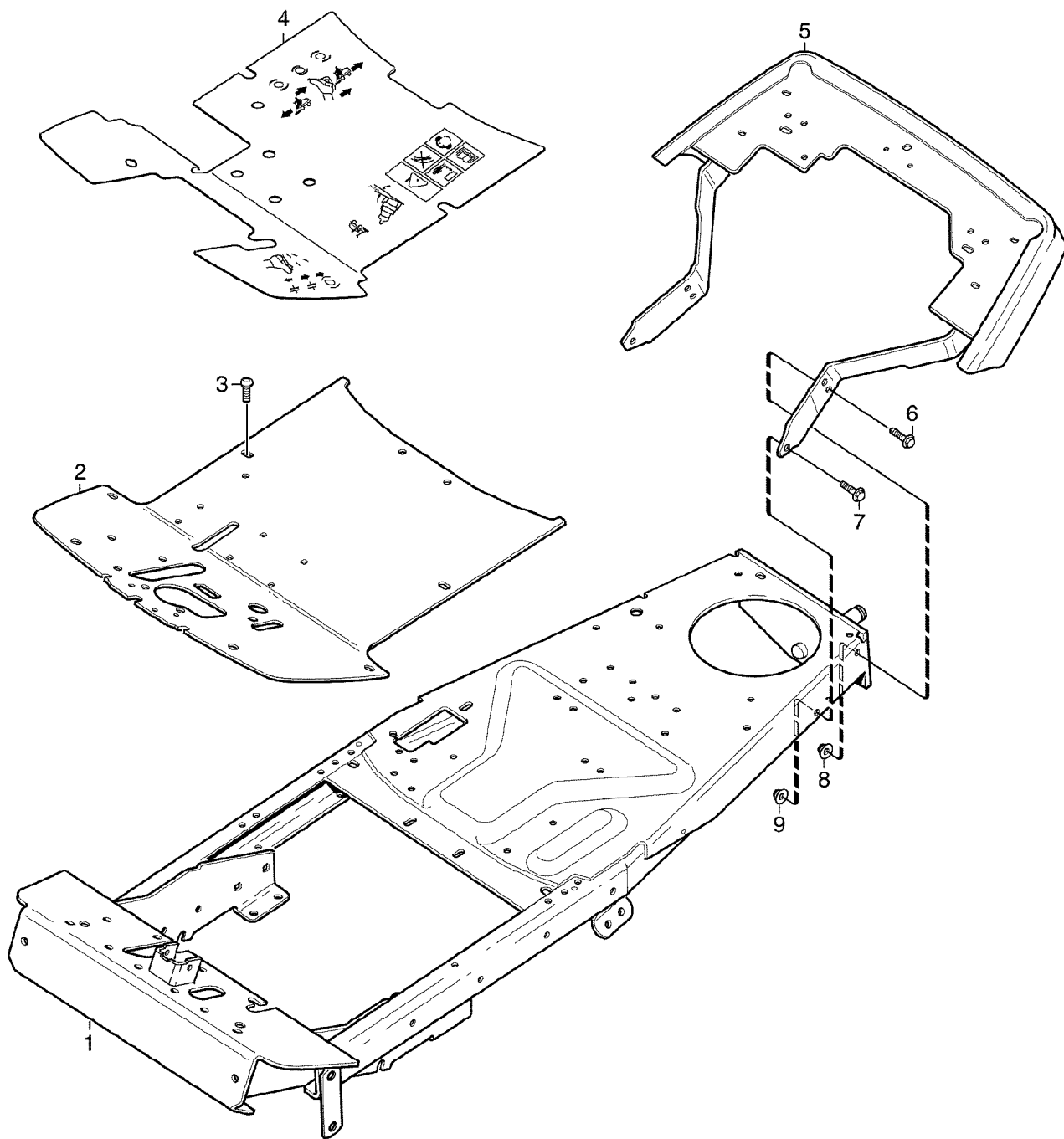


SA001794

Illustration A17 VERKLEIDUNG

| Bild Nr. | St.- Zahl | Teile Nr. | Beschreibung |
|----------|--------------|--------------|---------------------------------|
| 1 | 1 | SB1134506704 | HAUBE FRONT |
| 2 | 2 | SB9893061616 | SCHRAUBE M6X16 |
| 3 | 2 | SB1134444401 | STUETZE |
| 4 | 4 | 19M7866 | SCHRAUBE M8X20 |
| 5 | 4 | E63525 | MUTTER M8 |
| 6 | 2 | SB1134507801 | STUETZE |
| 7 | 2 | SB9893061616 | SCHRAUBE M6X16 |
| 8 | 1 | SB1134478704 | HAUBE REAR |
| 9 | 2 | SB1134538101 | HAUBE |
| 10 | 4 | SB9893061616 | SCHRAUBE M6X16 |
| 11 | 2 | SB1134490401 | ARRETIERUNG |
| 12 | 1 | SB1134478903 | DECKEL |
| 13 | 2 | SB1134479002 | HAUBE |
| 14 | 2 | SB9838953012 | SCHRAUBE (SUB FOR SB9836953012) |
| 15 | 1 | SB1134394406 | PUFFER |
| 16 | 4 | SB1134417601 | KLEMME |
| 17 | 6 | SB9893061616 | SCHRAUBE M6X16 |
| 18 | 1 | SB1134513902 | PLATTE |
| 19 | 2 | SB1134007000 | UNTERLEGSCHEIBE |
| 20 | 2 | SB9852801916 | SCHRAUBE 4,8X13 |
| 21 | 1 | SB1134553602 | AUFKLEBER-SATZ |

Illustration A19 RAHMEN

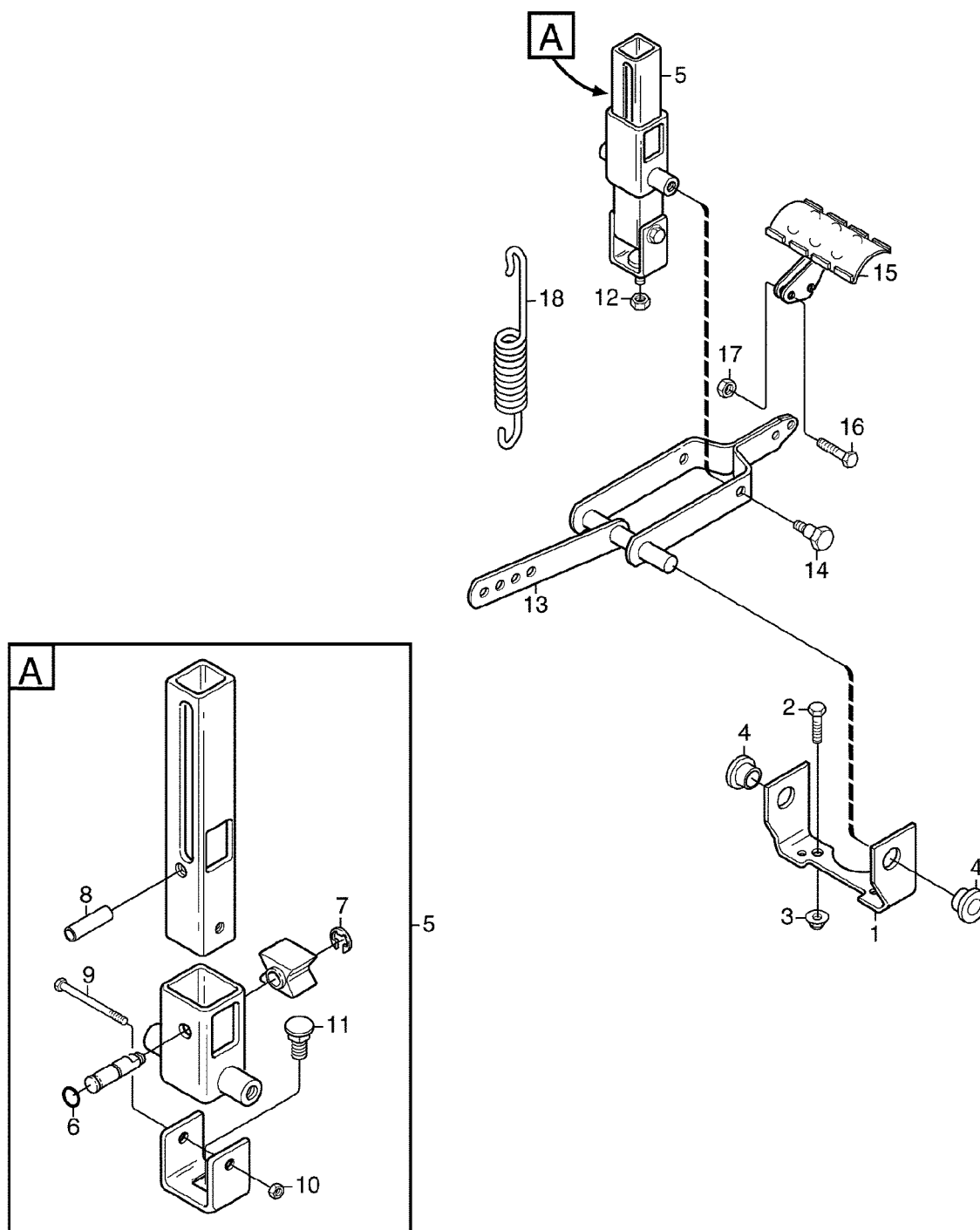


SA001795

Illustration A19 RAHMEN

| Bild Nr. | St.- Zahl | Teile Nr. | Beschreibung |
|----------|--------------|--------------|----------------|
| 1 | 1 | SB1134530902 | RAHMEN |
| 2 | 1 | SB1134529302 | PLATTE |
| 3 | 2 | SB9893061616 | SCHRAUBE M6X16 |
| 4 | 1 | SB1134533902 | MATTE |
| 5 | 1 | SB1134538202 | PUFFER |
| 6 | 2 | 19M7866 | SCHRAUBE M8X20 |
| 7 | 2 | 19M7867 | SCHRAUBE M8X25 |
| 8 | 3 | E63525 | MUTTER M8 |
| 9 | 1 | E63525 | MUTTER M8 |

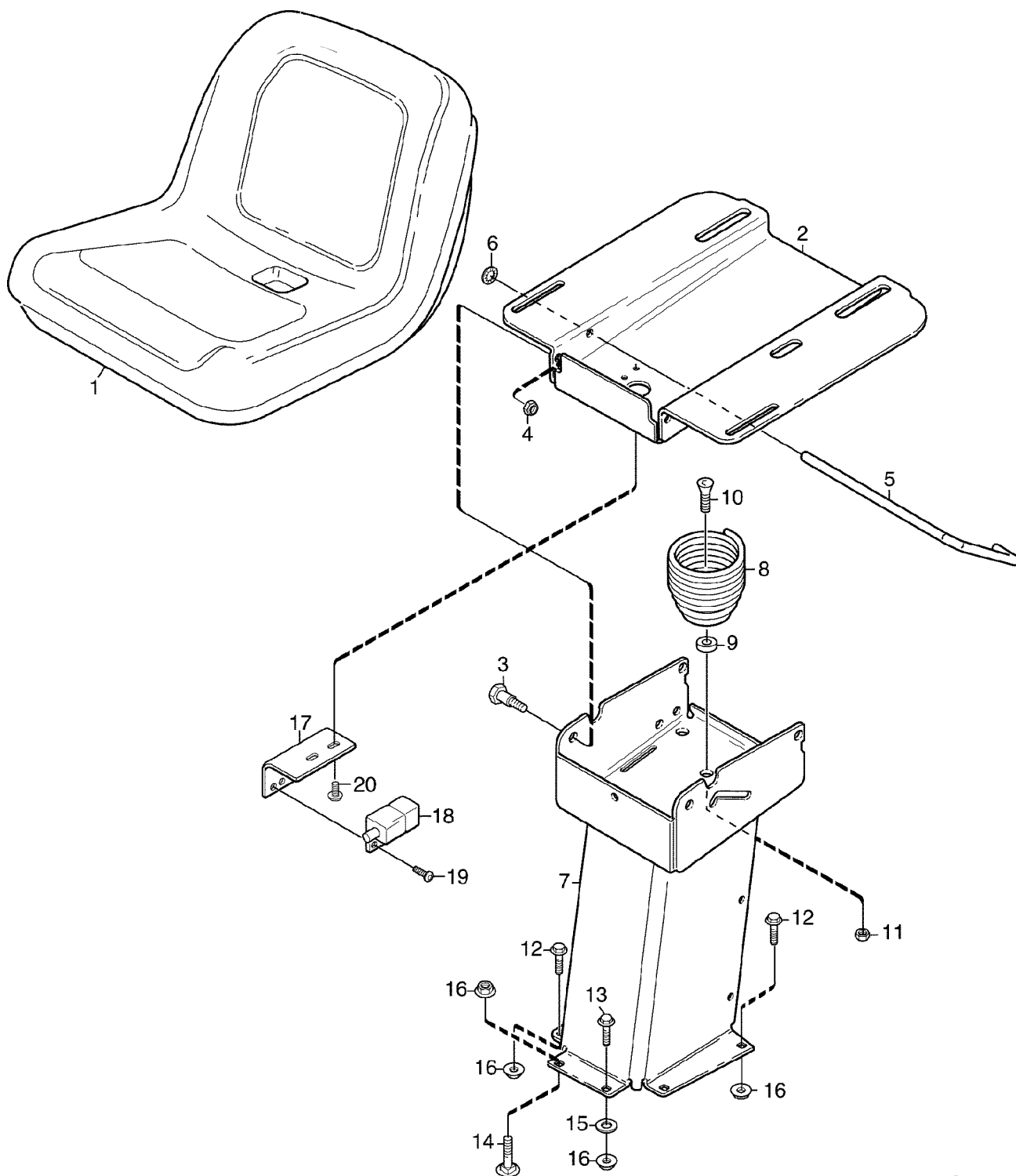
Illustration A21 AUSHUB (PEDAL)



SA001796

Illustration A21 AUSHUB (PEDAL)

| Bild Nr. | St.- Zahl | Teile Nr. | Beschreibung |
|----------|--------------|--------------|--|
| 1 | 1 | SB1134411701 | KONSOLE |
| 2 | 2 | 19M7328 | SECHSKANTSCHRAUBE M10X70 |
| 3 | 2 | CC19674 | FLANSCHMUTTER M10 |
| 4 | 2 | SB1134268401 | LAGER |
| 5 | 1 | SB1134494501 | VERSTELLVORRICHTUNG ASSY, INCL KEYS 6, 7, 8, 9, 10, 11 |
| 6 | 1 | T17951 | O-RING 4,48X1,78 |
| 7 | 1 | 40M7144 | SPRENGRING |
| 8 | 1 | LCA05775 | SPANNSTIFT 8X24 |
| 9 | 1 | 19M7320 | SECHSKANTSCHRAUBE M6X40 |
| 10 | 1 | 14M7165 | SICHERUNGSMUTTER M6 |
| 11 | 1 | 03M7054 | SCHRAUBE M8X20 |
| 12 | 1 | 14M7327 | SICHERUNGSMUTTER M8 |
| 13 | 1 | SB1134486001 | FLASCHENZUG |
| 14 | 2 | SB1134024000 | SCHRAUBE |
| 15 | 1 | SB1134493801 | FLASCHENZUG |
| 16 | 2 | 19M7286 | SCHRAUBE M6X25 |
| 17 | 2 | E63524 | MUTTER M6 |
| 18 | 1 | SB4231001300 | FEDER |

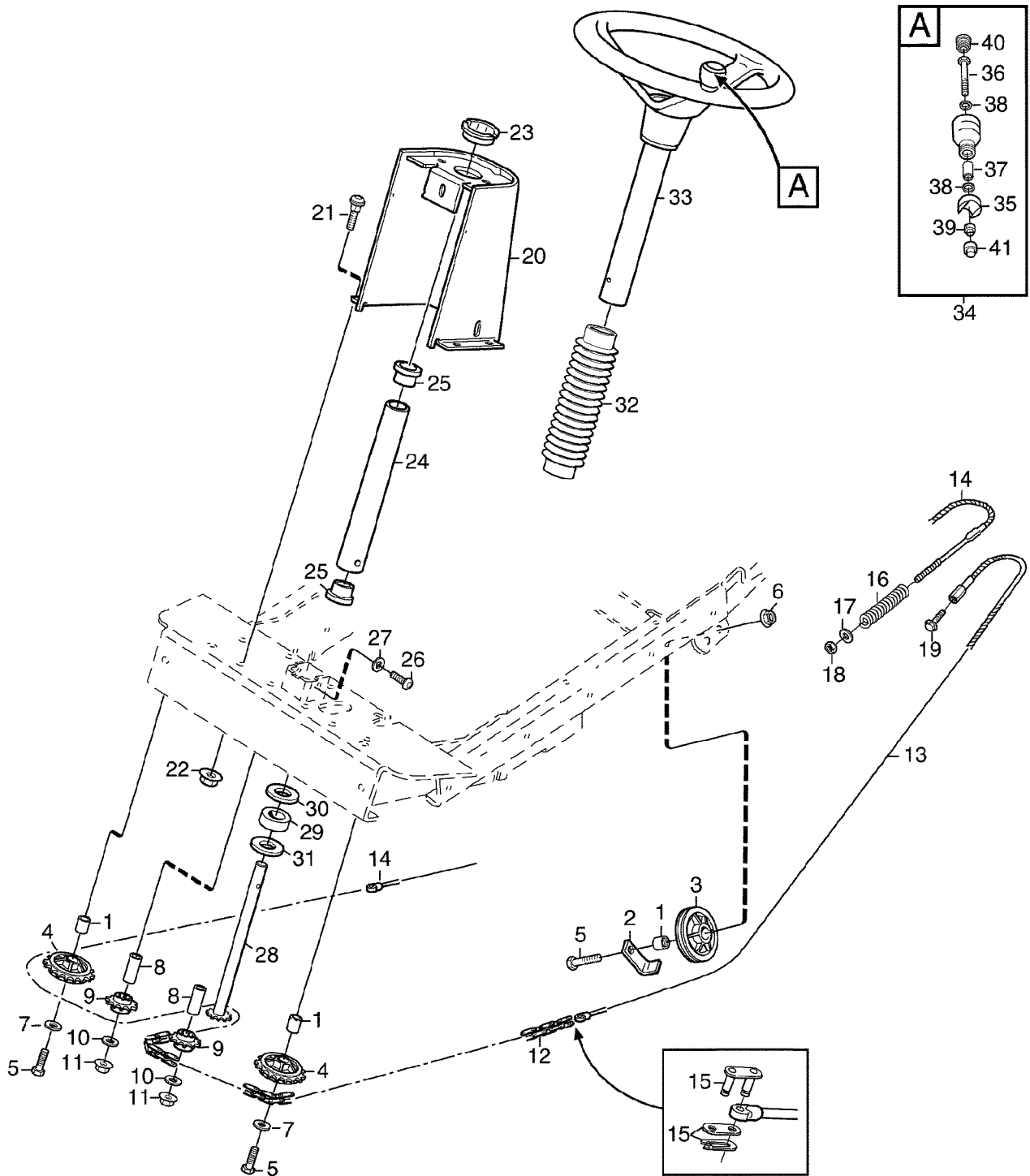


SA001797

Illustration A23 SITZ

| Bild Nr. | St.- Zahl | Teile Nr. | Beschreibung |
|----------|--------------|--------------|----------------------------|
| 1 | 1 | SB1134514401 | SITZ |
| 2 | 1 | SB1134462805 | PLATTE |
| 3 | 2 | SB1134024000 | SCHRAUBE |
| 4 | 2 | 14M7327 | SICHERUNGSMUTTER M8 |
| 5 | 1 | SB1134517901 | SCHLIESSHAKEN |
| 6 | 1 | SA34282 | FEDERMUTTER 8,0 |
| 7 | 1 | SB1134421102 | KONSOLE |
| 8 | 1 | SB1134425601 | FEDER |
| 9 | 1 | SB1134503201 | DISTANZSTUECK |
| 10 | 1 | SB9924123519 | SCHRAUBE M12X35 |
| 11 | 1 | 14M7168 | SICHERUNGSMUTTER M12 |
| 12 | 4 | 19M7866 | SCHRAUBE M8X20 |
| 13 | 1 | 19M7867 | SCHRAUBE M8X25 |
| 14 | 2 | 03M7054 | SCHRAUBE M8X20 |
| 15 | 1 | 24M7298 | UNTERLEGSCHEIBE 8,4X24X2,0 |
| 16 | 7 | E63525 | MUTTER M8 |
| 17 | 1 | SB1134495002 | KONSOLE |
| 18 | 1 | SB1134339902 | SCHALTER |
| 19 | 2 | SB9852801316 | SCHRAUBE 4,8X13 |
| 20 | 2 | SB9893061616 | SCHRAUBE M6X16 |

Illustration B01 LENKUNG



SA001798

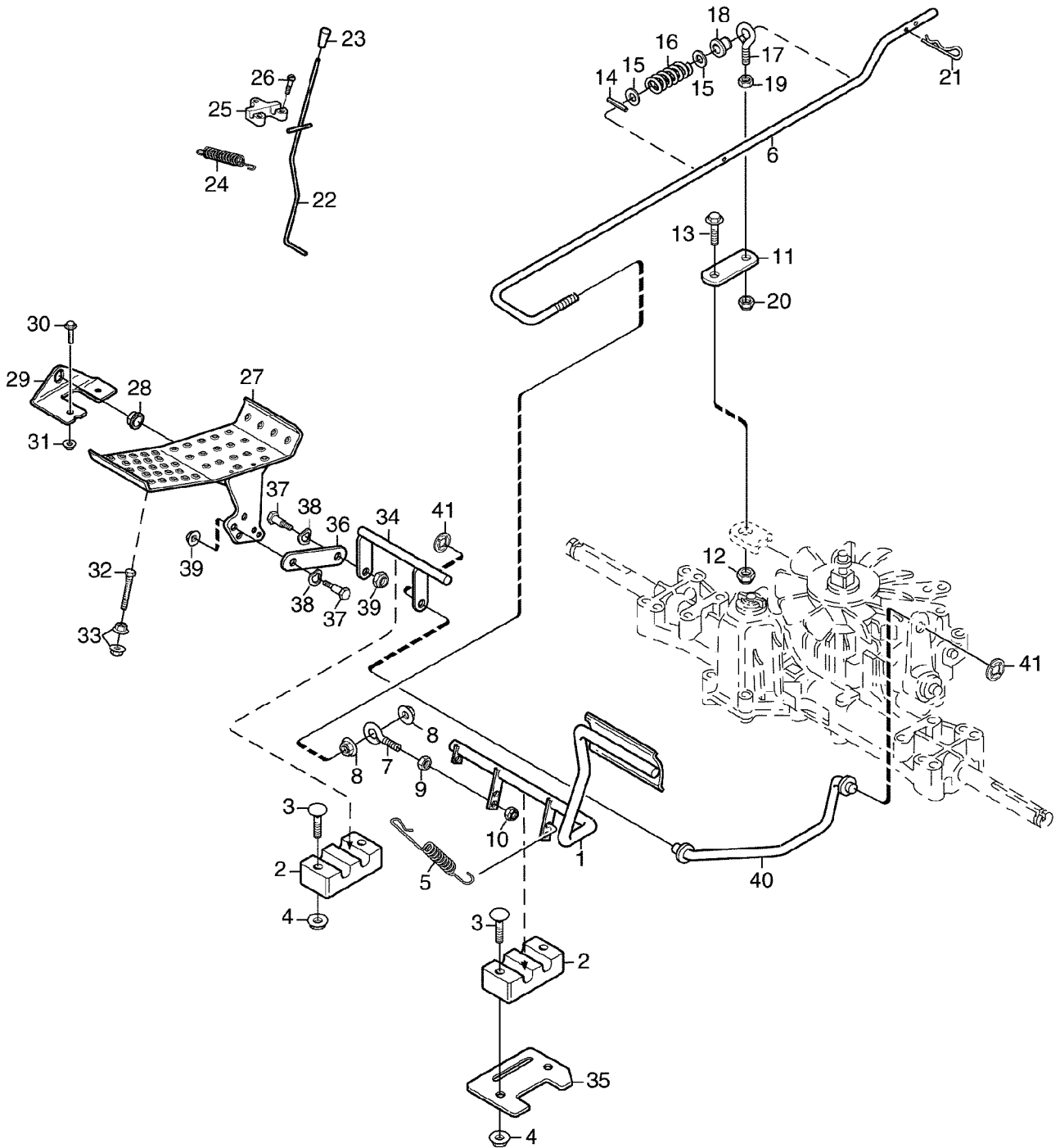
Illustration B01 LENKUNG

| Bild Nr. | St.- Zahl | Teile Nr. | Beschreibung |
|----------|--------------|--------------|---|
| 1 | 4 | SB1134004101 | BUECHSE |
| 2 | 2 | SB1134302201 | HALTER |
| 3 | 2 | SB1134007200 | RIEMENSCHLEIBE |
| 4 | 2 | SB1134354701 | KETTENRAD |
| 5 | 4 | 19M7382 | SECHSKANTSCHRAUBE M10X40 |
| 6 | 2 | CC19674 | FLANSCHMUTTER M10 |
| 7 | 2 | 24M7134 | UNTERLEGSCHEIBE 10,5X22X2,0 |
| 8 | 2 | SB1134004107 | BUECHSE |
| 9 | 2 | SB1134281601 | KETTENRAD |
| 10 | 2 | 24M7134 | UNTERLEGSCHEIBE 10,5X22X2,0 |
| 11 | 2 | CC19674 | FLANSCHMUTTER M10 |
| 12 | 1 | SB1134282008 | GLIEDERKETTE L = 75 |
| 13 | 1 | SB1134519201 | KABEL LH |
| 14 | 1 | SB1134519301 | KABEL RH |
| 15 | 2 | SB1134282401 | SPANNSCHLOSS |
| 16 | 1 | SB1134131001 | DRUCKFEDER |
| 17 | 1 | 24M7298 | UNTERLEGSCHEIBE 8,4X24X2,0 |
| 18 | 1 | 14M7327 | SICHERUNGSMUTTER M8 |
| 19 | 1 | 19M7866 | SCHRAUBE M8X20 |
| 20 | 1 | SB1134412007 | SCHALTKONSOLE |
| 21 | 4 | 03M7054 | SCHRAUBE M8X20 |
| 22 | 4 | E63525 | MUTTER M8 |
| 23 | 1 | SB1134448301 | BUECHSE |
| 24 | 1 | SB1134130503 | FUEHRUNG |
| 25 | 2 | SB1134190101 | LAGER |
| 26 | 2 | SB9893061616 | SCHRAUBE M6X16 |
| 27 | 2 | 24M7139 | UNTERLEGSCHEIBE 6,4X18X2,0 |
| 28 | 1 | SB1134282102 | LENKSPINDEL |
| 29 | 2 | SB1134304701 | DISTANZSTUECK |
| 30 | 1 | 24M7053 | UNTERLEGSCHEIBE 17X30X3,0 |
| 31 | 1 | SB1134283702 | DISTANZSTUECK |
| 32 | 1 | SB1134517801 | BALG |
| 33 | 1 | SB1134375402 | LENKRAD ASSY, INCL KEY 34 |
| 34 | 1 | SB1134376901 | KAPPE ASSY, INCL KEYS 35, 36, 37, 38, 39, 40, |
| 35 | 1 | SB1134375201 | HALTER |
| 36 | 1 | 19M7270 | SECHSKANTSCHRAUBE M8X65 |
| 37 | 1 | SB1134156506 | DISTANZSTUECK |
| 38 | 2 | 24M7132 | UNTERLEGSCHEIBE 8,4X18X1,5 |
| 39 | 1 | 14M7327 | SICHERUNGSMUTTER M8 |
| 40 | 1 | SB9403004370 | STOPFEN |
| 41 | 1 | SB9403011300 | SECHSKANTSCHRAUBE |

Illustration B05 BEDIENUNGSEINRICHTUNGEN
(MANUELL)

| Bild Nr. | St.- Zahl | Teile Nr. | Beschreibung |
|----------|--------------|--------------|-------------------------------|
| 1 | 1 | SB1134507701 | KONSOLE |
| 2 | 2 | 19M7866 | SCHRAUBE M8X20 |
| 3 | 2 | E63525 | MUTTER M8 |
| 4 | 2 | SB9893061616 | SCHRAUBE M6X16 |
| 5 | 1 | SB1134448702 | KONSOLE |
| 6 | 1 | SB1134398601 | PLATTE |
| 7 | 4 | SB9893061616 | SCHRAUBE M6X16 |
| 8 | 1 | SB1134459001 | STEUERUNG |
| 9 | 1 | SB1134407801 | KNOPF |
| 10 | 1 | SB1134024000 | SCHRAUBE |
| 11 | 1 | SB9694000100 | UNTERLEGSCHEIBE 13,5X20,5X0,5 |
| 12 | 2 | SB1134424201 | UNTERLEGSCHEIBE |
| 13 | 1 | 14M7327 | SICHERUNGSMUTTER M8 |
| 14 | 1 | SB1134159711 | KABEL |
| 15 | 1 | LG691024 | KLEMME |
| 16 | 1 | SB9943051616 | SCHRAUBE M5X16 |
| 17 | 1 | SB1134409301 | SCHLUESSEL |
| 18 | 1 | SB1134474901 | MUTTER |
| 19 | 1 | SB1134473401 | SCHLUESSEL |
| 20 | 1 | SB1134447201 | PLATTE |
| 21 | 2 | SB9943051616 | SCHRAUBE M5X16 |
| 22 | 1 | SB1134447003 | INSTRUMENTENTAFELTRAEGER |
| 23 | 4 | SB9943051616 | SCHRAUBE M5X16 |
| 24 | 2 | SB1134412901 | DECKEL |
| 25 | 1 | SB1134410001 | STOPFEN |
| 26 | 1 | SB9400028201 | SCHALTER |
| 27 | 1 | SB9400028001 | DECKEL PTO |
| 28 | 1 | SB9400029001 | WERKZEUG |

Illustration B07 BEDIENUNGSEINRICHTUNGEN
(PEDALE)

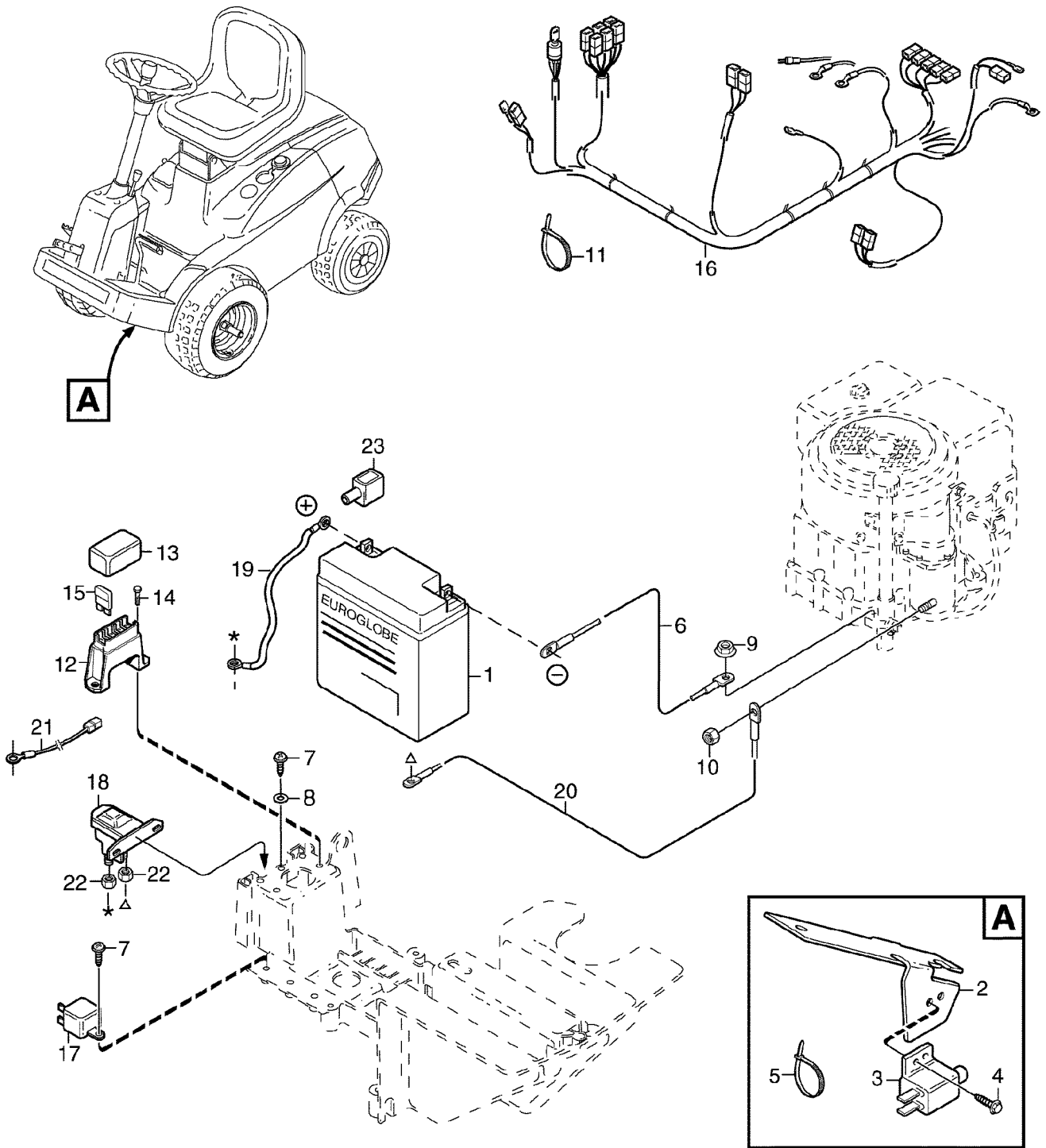


SA001801

Illustration B07 BEDIENUNGSEINRICHTUNGEN (PEDALE)

| Bild Nr. | St.- Zahl | Teile Nr. | Beschreibung |
|----------|--------------|--------------|-------------------------------|
| 1 | 1 | SB1134480201 | PEDAL |
| 2 | 2 | SB1134462401 | LAGER |
| 3 | 4 | 03M7317 | SCHRAUBE M6X35 |
| 4 | 4 | E63524 | MUTTER M6 |
| 5 | 1 | SB4231001300 | FEDER |
| 6 | 1 | SB1134494901 | STANGE |
| 7 | 1 | SB1134213801 | AUGENSCHRAUBE |
| 8 | 2 | CC19674 | FLANSCHMUTTER M10 |
| 9 | 1 | E63525 | MUTTER M8 |
| 10 | 1 | 14M7327 | SICHERUNGSMUTTER M8 |
| 11 | 1 | SB1134497201 | VERBINDUNGSGLIED |
| 12 | 1 | 14M7327 | SICHERUNGSMUTTER M8 |
| 13 | 1 | SB9997082016 | SCHRAUBE (SUB FOR 19M7866) |
| 14 | 1 | 34M7130 | SPANNSTIFT 4X20 |
| 15 | 2 | 24M7134 | UNTERLEGSCHEIBE 10,5X22X2,0 |
| 16 | 1 | SB1134461701 | FEDER |
| 17 | 1 | SB1134213801 | AUGENSCHRAUBE |
| 18 | 1 | SB1134477901 | BUECHSE |
| 19 | 1 | E63525 | MUTTER M8 |
| 20 | 1 | 14M7327 | SICHERUNGSMUTTER M8 |
| 21 | 1 | J16931 | STIFT 2,5MM |
| 22 | 1 | SB1134510101 | STANGE |
| 23 | 1 | SB1134380801 | KNOPF |
| 24 | 1 | SB1131149701 | FEDER |
| 25 | 1 | SB1134400201 | STANGE |
| 26 | 3 | SB9838951612 | SCHRAUBE K5X16 |
| 27 | 1 | SB1134400803 | PEDAL (SUB FOR SB1134400801) |
| 28 | 2 | SB1134278001 | LAGER |
| 29 | 2 | SB1134270001 | KONSOLE |
| 30 | 2 | 19M7866 | SCHRAUBE M8X20 |
| 31 | 2 | E63525 | MUTTER M8 |
| 32 | 1 | 19M3138 | SECHSKANTSCHRAUBE M8X70 |
| 33 | 2 | E63525 | MUTTER M8 |
| 34 | 1 | SB1134444001 | WELLE |
| 35 | 1 | SB1134479301 | PLATTE |
| 36 | 1 | SB1134444101 | VERBINDUNGSGLIED |
| 37 | 2 | SB1134024000 | SCHRAUBE |
| 38 | 2 | SB9694000100 | UNTERLEGSCHEIBE 13,5X20,5X0,5 |
| 39 | 2 | 14M7327 | SICHERUNGSMUTTER M8 |
| 40 | 1 | SB1134448201 | STANGE |
| 41 | 2 | SA34282 | FEDERMUTTER 8,0 |

Illustration B09 BATTERIE, ELEKTRIK

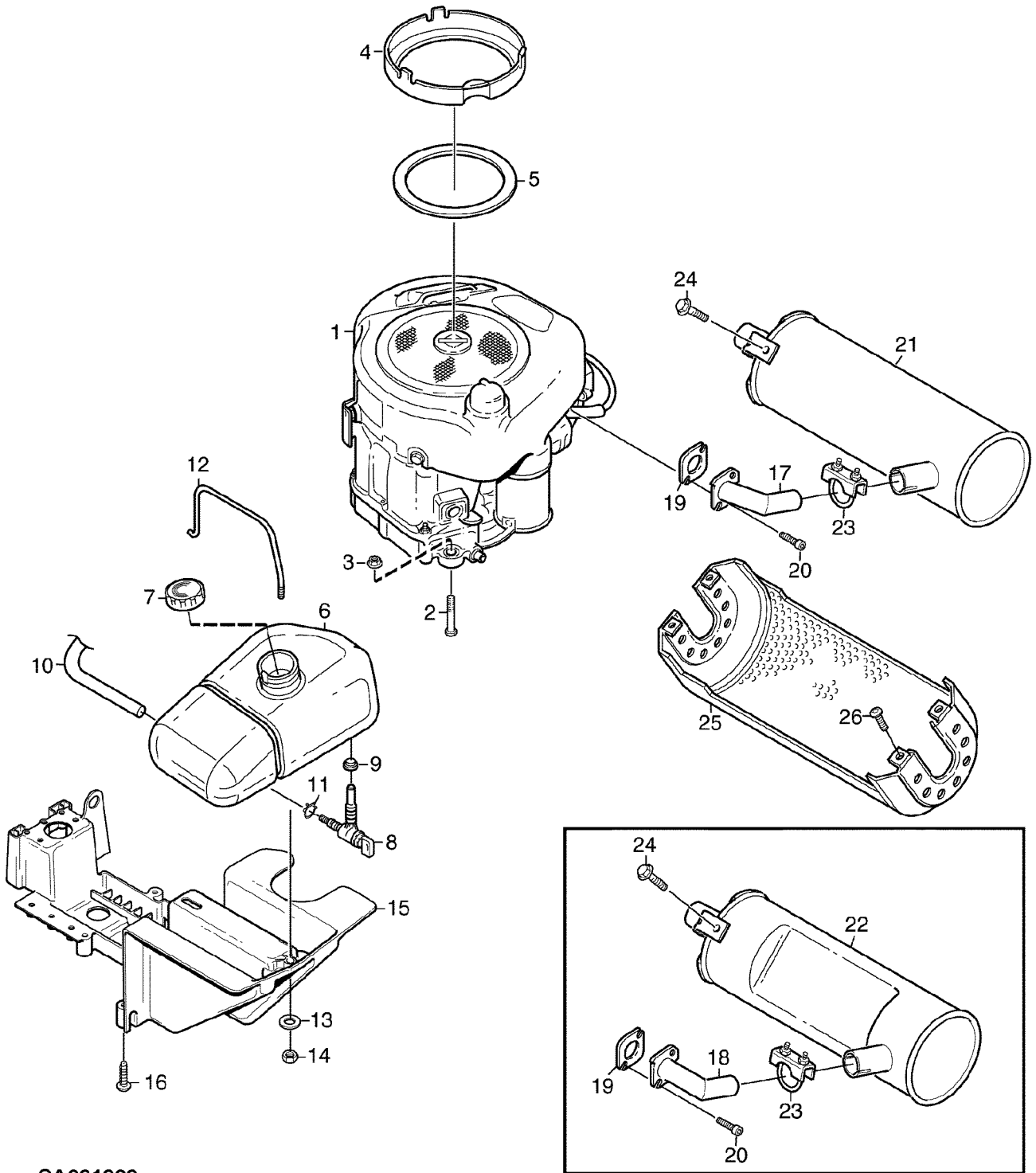


SA001802

Illustration B09 BATTERIE, ELEKTRIK

| Bild Nr. | St.- Zahl | Teile Nr. | Beschreibung |
|----------|--------------|--------------|----------------------------|
| 1 | 1 | SB1134480401 | TROCKEN GELADENE BATTERIE |
| 2 | 1 | SB1134461001 | KONSOLE |
| 3 | 1 | SB1134339902 | SCHALTER |
| 4 | 2 | SB9852801316 | SCHRAUBE 4,8X13 |
| 5 | 3 | SB9579000300 | HALTER |
| 6 | 1 | SB1134204202 | KABEL BLACK |
| 7 | 2 | SB9838951612 | SCHRAUBE K5X16 |
| 8 | 1 | 24M7139 | UNTERLEGSCHEIBE 6,4X18X2,0 |
| 9 | 1 | 14M7327 | SICHERUNGSMUTTER M8 |
| 10 | 1 | 14H850 | MUTTER 1/4-20 UNC |
| 11 | 2 | SB9579000300 | HALTER |
| 12 | 1 | SB1134349101 | SICHERUNGSHALTER |
| 13 | 1 | SB1134363101 | DECKEL |
| 14 | 2 | SB9838951612 | SCHRAUBE K5X16 |
| 15 | 1 | SB1134349601 | ELEKTRISCHE SICHERUNG 10A |
| 15 | 1 | SB1134349606 | ELEKTRISCHE SICHERUNG 20A |
| 16 | 1 | SB1134516001 | KABELBAUM |
| 17 | 1 | SB1134287103 | RELAIS |
| 18 | 1 | SB1134390101 | MAGNETSPULE |
| 19 | 1 | SB1134470201 | KABEL RED |
| 20 | 1 | SB1134470202 | KABEL RED |
| 21 | 1 | SB1134497002 | SEILZUG |
| 22 | 2 | 14H650 | MUTTER 5/16-24 UNF |
| 23 | 1 | SB1134231001 | SCHUTZ |

Illustration B11 MOTOR



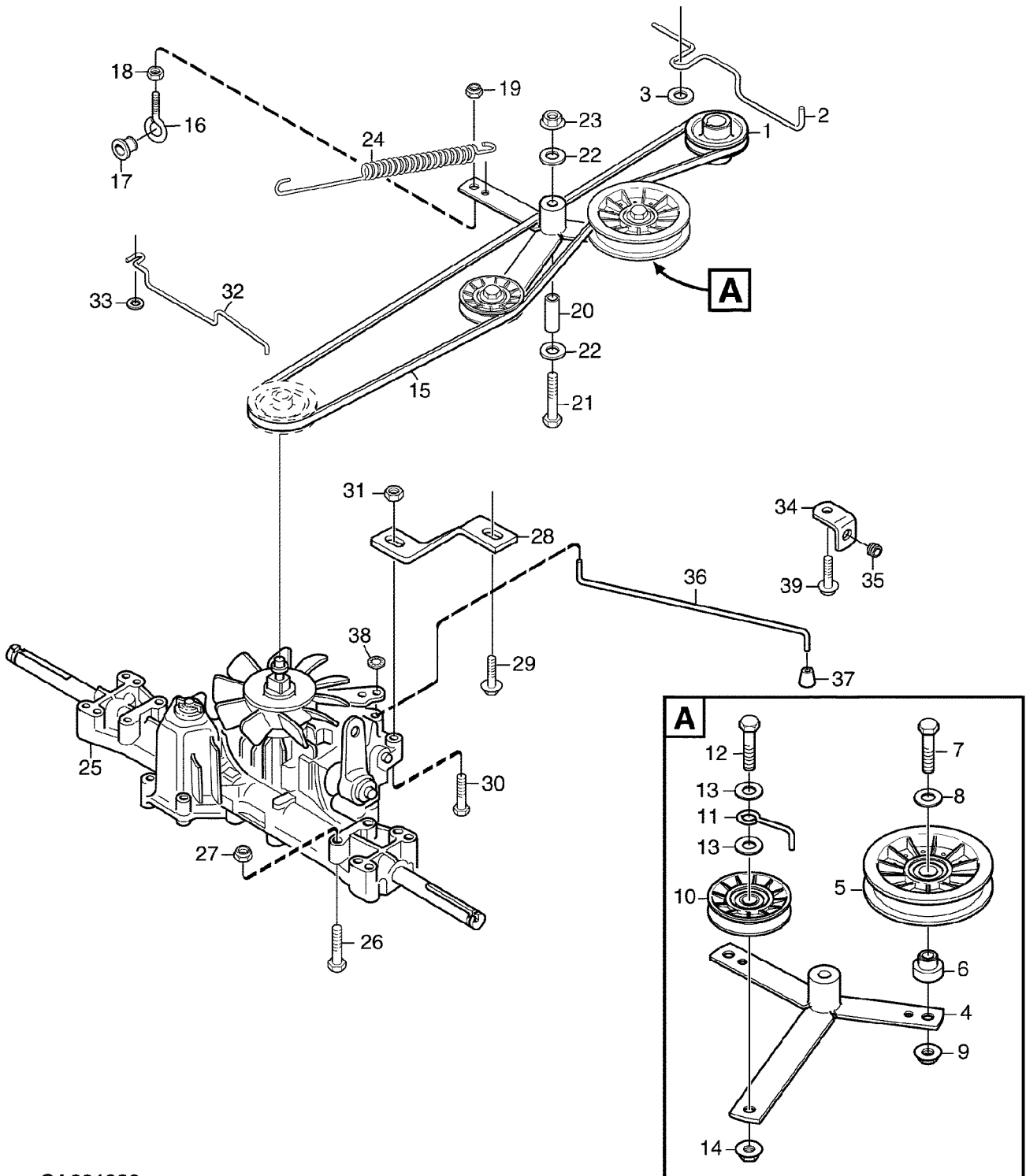
SA001803

Illustration B11 MOTOR

| Bild Nr. | St.- Zahl | Teile Nr. | Beschreibung |
|----------|--------------|--------------|---|
| 1 | 1 | | BENZINMOTOR (A) B&S MODEL 282H07, TYP 0113-E1 |
| 2 | 4 | 19M7922 | SECHSKANTSCHRAUBE M8X40 |
| 3 | 4 | 14M7327 | SICHERUNGSMUTTER M8 |
| 4 | 1 | SB1134446801 | DISTANZSTUECK 39.5 |
| 5 | 1 | SB1134422202 | RING |
| 6 | 1 | SB1134506601 | KRAFTSTOFFBEHAELTER |
| 7 | 1 | SB1134287703 | EINFUELLVERSCHLUSS |
| 8 | 1 | SB1134322401 | VERSCHLUSSSCHRAUBE |
| 9 | 1 | SB1134322501 | GUMMIMUFFE |
| 10 | 1 | SB1134297505 | SCHLAUCH LGTH = 460 MM |
| 11 | 2 | SB9578002302 | SCHLAUCHKLEMME |
| 12 | 1 | SB1134480801 | KLEMME |
| 13 | 1 | 24M7139 | UNTERLEGSCHEIBE 6,4X18X2,0 |
| 14 | 1 | 14M7165 | SICHERUNGSMUTTER M6 |
| 15 | 1 | SB1134480702 | KONSOLE |
| 16 | 4 | SB9829883012 | SCHRAUBE K6X30 |
| 18 | 1 | SB1134538001 | AUSPUFFROHR |
| 19 | 1 | SB1134043300 | DICHTUNG |
| 20 | 2 | SB1134493001 | SCHRAUBE |
| 22 | 1 | SB1134537701 | SCHALLDAEMPFER |
| 23 | 1 | SB9578001101 | KLEMME (SUB FOR SB9578001100) |
| 24 | 1 | 19M7866 | SCHRAUBE M8X20 |
| 25 | 1 | SB1134516301 | SCHUTZ |
| 26 | 4 | SB9893061616 | SCHRAUBE M6X16 |

(A) ERSATZTEILE BEIM BRIGGS & STRATTON HAENDLER BESTELLEN

Illustration B13 GETRIEBE (HYDRAULISCH)



SA001806

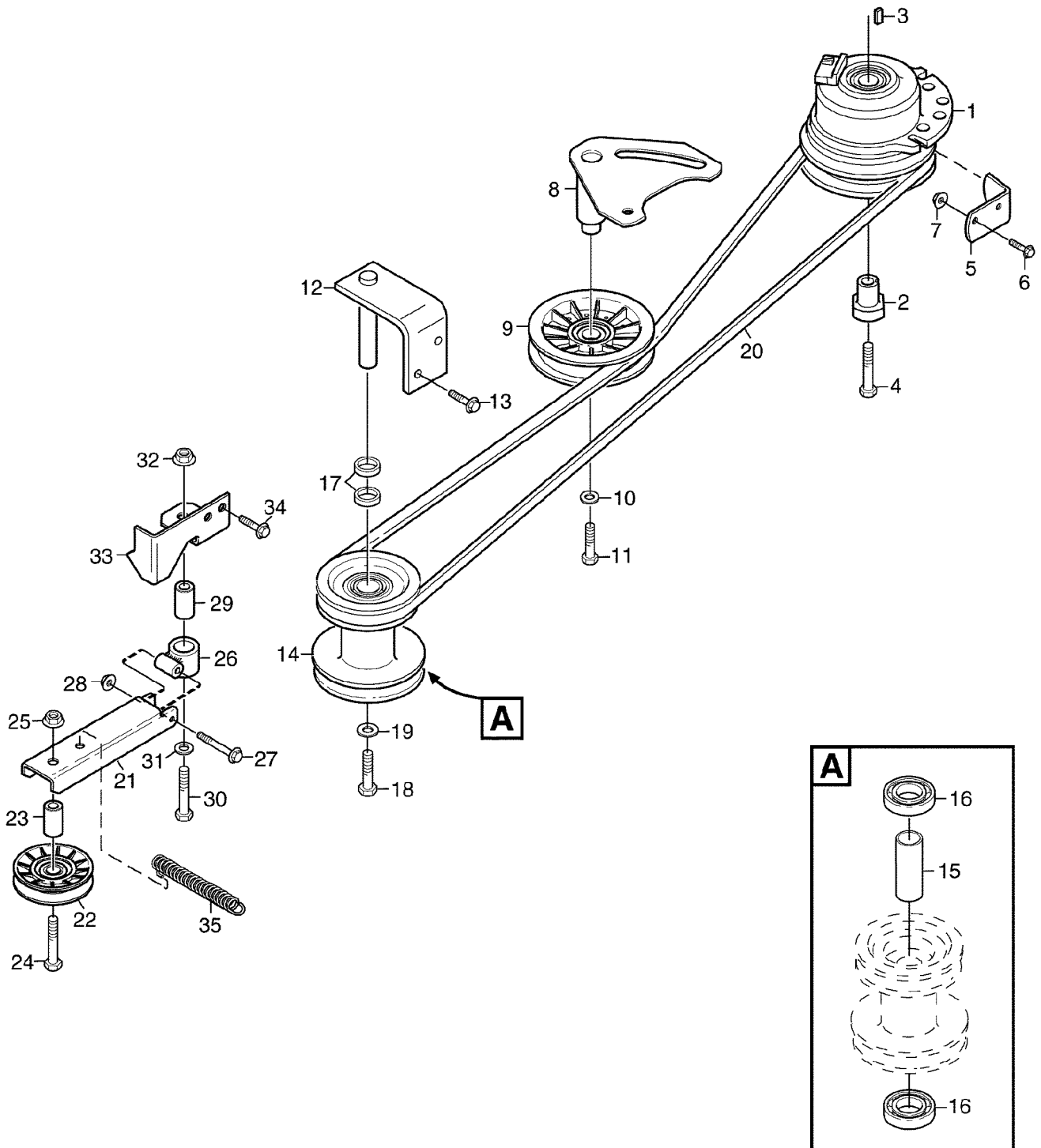
Illustration B13 GETRIEBE (HYDRAULISCH)

| Bild Nr. | St.- Zahl | Teile Nr. | Beschreibung |
|----------|--------------|--------------|-----------------------------------|
| 1 | 1 | SB1134461101 | RIEMENSCHLEIFE |
| 2 | 1 | SB1134541401 | FUEHRUNG |
| 3 | 1 | 24M7298 | UNTERLEGSCHEIBE 8,4X24X2,0 |
| 4 | 1 | SB1134451901 | ARM |
| 5 | 1 | SB1134305301 | SPANNROLLE |
| 6 | 1 | SB1134461401 | DISTANZSTUECK |
| 7 | 1 | 19M7382 | SECHSKANTSCHRAUBE M10X40 |
| 8 | 1 | 24M7134 | UNTERLEGSCHEIBE 10,5X22X2,0 |
| 9 | 1 | CC19674 | FLANSCHMUTTER M10 |
| 10 | 1 | SB1134298902 | SPANNROLLE (SUB FOR SB1134298901) |
| 11 | 1 | SB1134179501 | WINKEL |
| 12 | 1 | 19M7382 | SECHSKANTSCHRAUBE M10X40 |
| 13 | 2 | 24M7134 | UNTERLEGSCHEIBE 10,5X22X2,0 |
| 14 | 1 | CC19674 | FLANSCHMUTTER M10 |
| 15 | 1 | SB9585009901 | KEILRIEMEN |
| 16 | 1 | SB1134213801 | AUGENSCHRAUBE |
| 17 | 1 | SB1134477901 | BUECHSE |
| 18 | 1 | E63525 | MUTTER M8 |
| 19 | 1 | 14M7327 | SICHERUNGSMUTTER M8 |
| 20 | 1 | SB1134156508 | DISTANZSTUECK |
| 21 | 1 | SB9997086512 | SCHRAUBE (SUB FOR 19M3138) |
| 22 | 2 | 24M7298 | UNTERLEGSCHEIBE 8,4X24X2,0 |
| 23 | 1 | E63525 | MUTTER M8 |
| 24 | 1 | SB1134521401 | FEDER |
| 25 | 1 | SB1134484601 | TRANSACHSE KANZAKI K46AG |
| 26 | 4 | SB9997086512 | SCHRAUBE (SUB FOR 19M3138) |
| 27 | 4 | 14M7327 | SICHERUNGSMUTTER M8 |
| 28 | 1 | SB1134458801 | STUETZE |
| 29 | 1 | SB9945081616 | SCHRAUBE M8X16 |
| 30 | 1 | 19M7922 | SECHSKANTSCHRAUBE M8X40 |
| 31 | 1 | 14M7327 | SICHERUNGSMUTTER M8 |
| 32 | 1 | SB1134531901 | FUEHRUNG |
| 33 | 1 | 24M7298 | UNTERLEGSCHEIBE 8,4X24X2,0 |
| 34 | 1 | SB1134471301 | KONSOLE |
| 35 | 1 | SB1134279001 | FUEHRUNG |
| 36 | 1 | SB1134515601 | STANGE |
| 37 | 1 | SB1134401401 | DRUCKKNOPF |
| 38 | 1 | SB9675000902 | FEDERRING 6,0 |
| 39 | 1 | SB9945081616 | SCHRAUBE M8X16 |

Illustration B15 RAEDER

| Bild Nr. | St.- Zahl | Teile Nr. | Beschreibung |
|----------|--------------|--------------|-----------------------------|
| 1 | 1 | SB1134501201 | HINTERACHSE REAR |
| 2 | 2 | 58M5573 | SCHMIERNIPPEL M6 |
| 3 | 1 | SB1134500902 | SPINDEL LH |
| 4 | 1 | SB1134500901 | SPINDEL RH |
| 5 | 2 | L115418 | UNTERLEGSCHEIBE 20X30X3,0 |
| 6 | 2 | 40M7080 | SPRENGRING |
| 7 | 1 | SB1134150003 | RIEMENSCHLEIFE |
| 8 | 1 | SB1134158301 | RIEMENSCHLEIFE |
| 9 | 2 | SB1134006800 | LAGER |
| 10 | 1 | SB1134034101 | UNTERLEGSCHEIBE |
| 11 | 1 | 40M7080 | SPRENGRING |
| 12 | 2 | SB1134324705 | STANGE |
| 13 | 2 | 19M7163 | SECHSKANTSCHRAUBE M8X25 |
| 14 | 1 | 19M8008 | SECHSKANTSCHRAUBE M8X35 |
| 15 | 2 | 24M7055 | UNTERLEGSCHEIBE 8,4X16X1,5 |
| 16 | 3 | 14M7327 | SICHERUNGSMUTTER M8 |
| 17 | 1 | 58M5573 | SCHMIERNIPPEL M6 |
| 18 | 1 | L115418 | UNTERLEGSCHEIBE 20X30X3,0 |
| 19 | 1 | 40M7080 | SPRENGRING |
| 20 | 2 | SB1134484402 | RADBOLZEN |
| 21 | 2 | SB1134484501 | HUELSE |
| 22 | 4 | SB1134034101 | UNTERLEGSCHEIBE |
| 23 | 2 | SB1134455803 | FELGE |
| 24 | 2 | SB9545011600 | REIFEN 16X7.50 - 8 |
| 25 | 2 | SB9545050000 | VENTIL |
| 26 | 2 | SB9545020300 | SCHLAUCH |
| 27 | 6 | 14M7167 | SICHERUNGSMUTTER M10 |
| 28 | 6 | 24M7134 | UNTERLEGSCHEIBE 10,5X22X2,0 |
| 29 | 2 | SB1134247103 | SCHLUESSEL |
| 30 | 2 | SB1134470603 | FELGE |
| 31 | 4 | SB1134131901 | LAGER |
| 32 | 2 | SB9545012501 | REIFEN 14X5.50 - 6 |
| 33 | 2 | SB9545050000 | VENTIL |
| 34 | 2 | SB9545020400 | SCHLAUCH |
| 35 | 2 | SB1134434401 | KAPPE |
| 36 | 2 | SB1134034101 | UNTERLEGSCHEIBE |
| 37 | 2 | 40M7080 | SPRENGRING |
| 38 | 2 | SB9653000104 | RING |
| 39 | 2 | SB1134498101 | UNTERLEGSCHEIBE |

Illustration B19 ZAPFWELLE (ELEKTRISCH)



SA001809

Illustration B19 ZAPFWELLE (ELEKTRISCH)

| Bild Nr. | St.- Zahl | Teile Nr. | Beschreibung |
|----------|--------------|--------------|---------------------------------------|
| 1 | 1 | SB1134467201 | KUPPLUNG ASSY, INCL KEY 2 |
| 2 | 1 | SB1134501601 | BUECHSE |
| 3 | 1 | H64374 | KEIL |
| 4 | 1 | 19H2503 | SECHSKANTSCHRAUBE 7/16-20 UNFX57 |
| 5 | 1 | SB1134467901 | STUETZE |
| 6 | 1 | 19M7866 | SCHRAUBE M8X20 |
| 7 | 1 | E63525 | MUTTER M8 |
| 8 | 1 | SB1134453802 | KONSOLE |
| 9 | 1 | SB1134305301 | SPANNROLLE |
| 10 | 1 | 24M7298 | UNTERLEGSCHEIBE 8,4X24X2,0 |
| 11 | 1 | 19M7866 | SCHRAUBE M8X20 |
| 12 | 1 | SB1134465001 | RIEMENSCHLEIFE |
| 13 | 2 | SB9945081616 | SCHRAUBE M8X16 |
| 14 | 1 | SB1134464301 | RIEMENSCHLEIFE ASSY, INCL KEYS 15, 16 |
| 15 | 1 | SB1134005112 | DISTANZSTUECK |
| 16 | 2 | SB9549001900 | KUGELLAGER |
| 17 | 2 | SB1134005200 | DISTANZSTUECK |
| 18 | 1 | 19M7382 | SECHSKANTSCHRAUBE M10X40 |
| 19 | 1 | 24M7134 | UNTERLEGSCHEIBE 10,5X22X2,0 |
| 20 | 1 | SB9585012501 | KEILRIEMEN |
| 21 | 1 | SB1134523101 | ARM |
| 22 | 1 | SB1134298902 | SPANNROLLE (SUB FOR SB1134298901) |
| 23 | 1 | SB1134461901 | DISTANZSTUECK |
| 24 | 1 | 19M7156 | SECHSKANTSCHRAUBE M10X60 |
| 25 | 1 | CC19674 | FLANSCHMUTTER M10 |
| 26 | 1 | SB1134523201 | HALTER |
| 27 | 1 | 19M7320 | SECHSKANTSCHRAUBE M6X40 |
| 28 | 1 | 14M7165 | SICHERUNGSMUTTER M6 |
| 29 | 1 | SB1134461901 | DISTANZSTUECK |
| 30 | 1 | 19M7382 | SECHSKANTSCHRAUBE M10X40 |
| 31 | 1 | 24M7134 | UNTERLEGSCHEIBE 10,5X22X2,0 |
| 32 | 1 | CC19674 | FLANSCHMUTTER M10 |
| 33 | 1 | SB1134470802 | KONSOLE |
| 34 | 2 | SB9945081616 | SCHRAUBE M8X16 |
| 35 | 1 | SB1131150700 | FEDER |