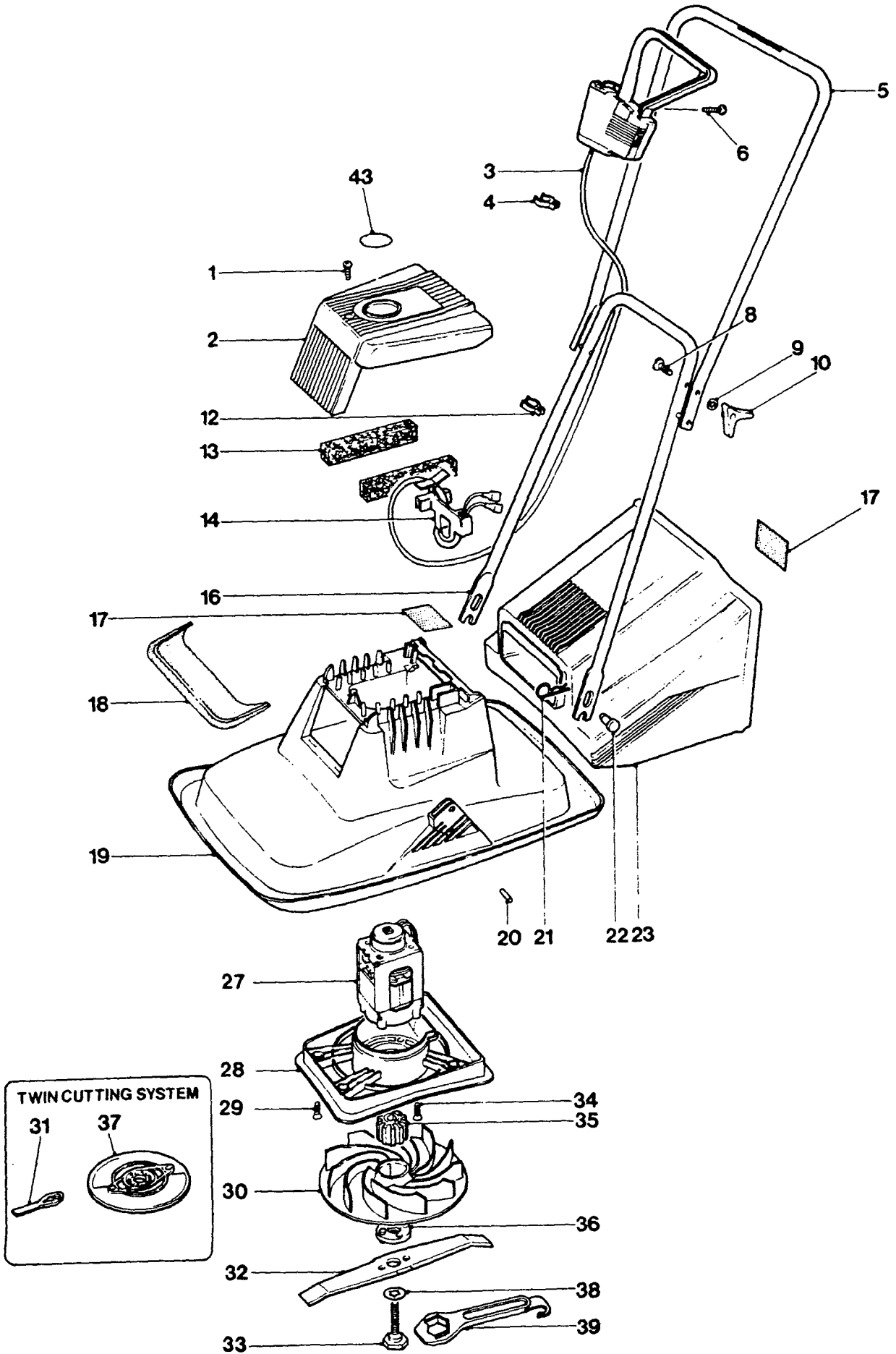


Flymo

XE250-11

9632514
9632515



Flymo

XE250-11

9632514

9632515

KEY	PART NUMBER	DESCRIPTION	QUANTITY	APPLICATION
01	5146736-00/3	Screw,high/low	1	
02	5137695-06/9	Cover assembly	1	GB,EI.
	5137695-07/7	Cover assembly	1	
03	5126891-14/1	Switchbox assembly	1	GB,EI.
	5126901-35/3	Switchbox assembly	1	A,B,F,NL.
	5126901-37/9	Switchbox assembly	1	D.
	5126901-44/5	Switchbox assembly	1	E,P,I,N,DK.
04	5137750-00/5	Cable clip	1	
05	5126816-02/3	Handle/label assembly	1	GB,EI.
	5126242-03/0	Handle ,upper	1	
06	5148552-01/0	Screw,3.5mm self tapping	2	
08	5140607-00/2	Handle bolt,1/4unc x 45mm	2	
09	5140266-00/7	Washer,M6	2	
10	5140690-00/8	Wing knob	2	
12	5137750-00/5	Cable clip	1	
13	5148267-00/7	Filter	2	
14	5126741-00/7	Clamp,plastic	1	
16	5117082-00/7	Lower handle	1	
17	5146461 -0X/5	Label,warning	1	GB EI
	5137964 -00/2	Label,warning	1	E I P
	513670x -01/2	Label,warning	1	F,B,NL,I.
	5136712-01/4	Label,warning	1	D.
18	5126732-00/6	Label,Flymo	1	
19	5126829-00/0	Hood,25cm	1	
20	5147594-00/5	Pin	2	
21	5140423-00/4	Retaining pin	2	
22	5140092-00/7	Pivot pin	2	
23	5117079-03/7	Grassbox assembly	1	
27	5150005-01/4	Motor,240v	1	GB.
	5150005-02/2	Motor,220v	1	
28	5106491-00/3	Motor mounting plate	1	
29	5146736-00/3	Screw,high/low	4	
30	5116967-10/9	Impeller	1	
31	5148257-02/4	Plastic cutter	2	
32	5126535-01/1	Blade,25cm	1	
33	5137608-00/5	Blade bolt c/w washer	1	
34	5148122-01/2	Screw,plastite 10 x 19mm	4	
35	5126764-00/9	Insert,plastic	1	
36	5136668-01/8	Blade spacer	3	
37	5126739-02/7	Disc assembly 25cm	1	
38	5148259-00/4	PTFE washer	1	
39	5126682-00/3	Spanner/scrapper	1	
40	5126240-00/0	Cable runner	1	EI,D,DK,N,I.(Not illustrated)
41	5147793-00/3	Cord guide clips	2	D,DK,N,I.(Not illustrated)
43	5137855-00/2	Label,autostop	1	
500	5127090-05/7	Mains cable,20m x 1.00mm sq.	1	GB,EI.(Not illustrated)

A Austria;AUS Australia;B Belgium;CND Canada;CH Switzerland;D Germany;DK Denmark;E Spain;EI Eire;F France;GB Great Britain;I Italy;N Norway;NL Netherlands;NZ New Zealand;O/S Overseas;P Portugal;S Sweden;SF Finland;USA America;ZA South Africa;

WHERE NO APPLICATION DETAILS ARE SHOWN,PART APPLIES TO ALL COUNTRIES

9632514-01	GB.	9632515-72	A,B,F,NL...
9632515-18	EI.	9632515-74	N,DK,I.
9632515-24	E,P,I.	9632515-78	D.