



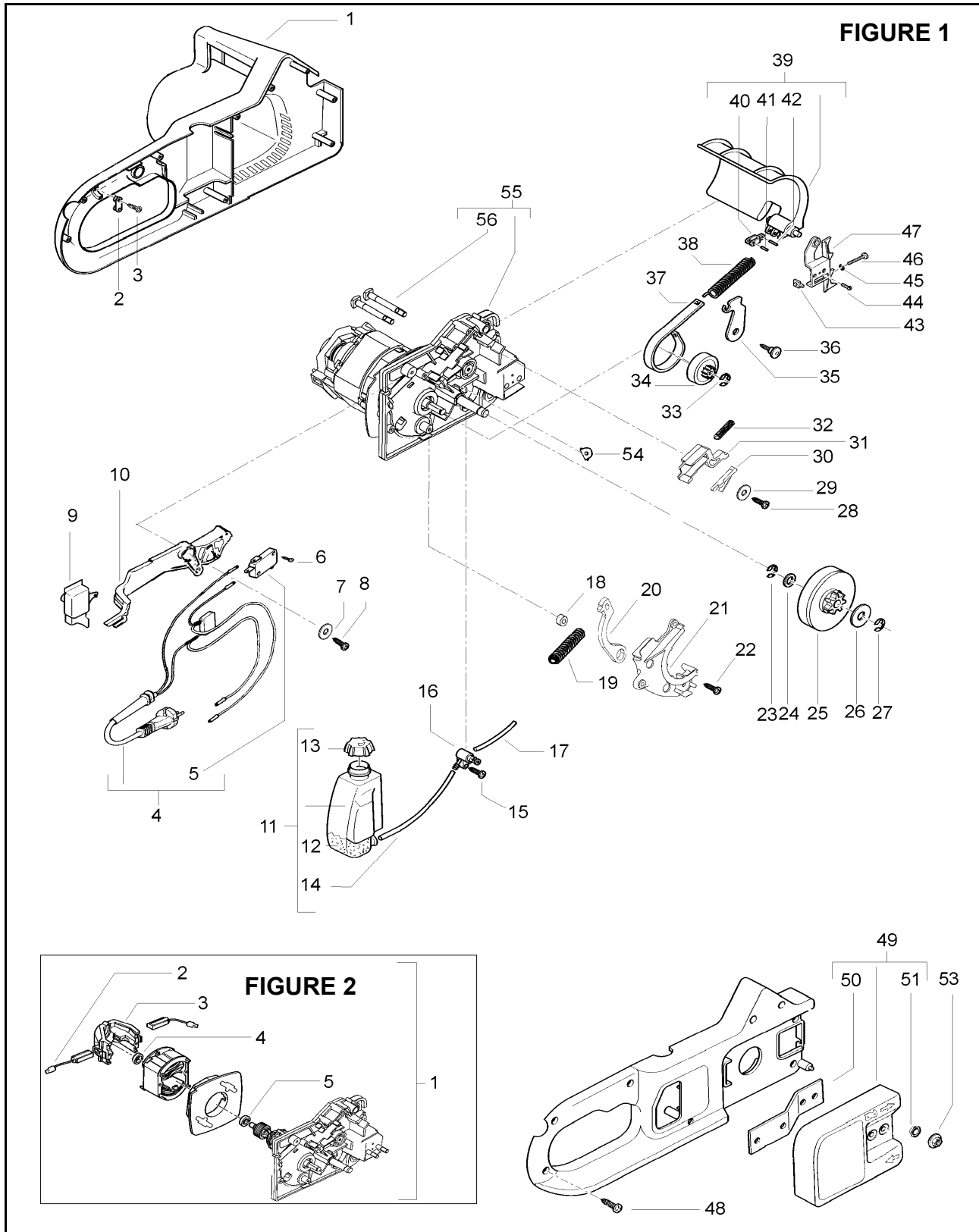
**ELECTROLUX OUTDOOR PRODUCTS**

<b>PNC</b>	<b>Type/Prefix/nd</b>	<b>Model</b>	<b>Brand</b>
953900585	07	WOODSHARK 350	FLYMO

**Number of Pages 1 of 3**

<b>Factory: IIQ - Valmadrera</b>	<b>Product Group: OP 93</b>
<b>Publication Number: EIPL2004_VP0411002</b>	<b>Petrol Portable</b>
<b>Publication Date: 5/11/04</b>	<b>Sub Group 9434</b>

## Service



Item	P/N McC	P/N ELX	Qty	DESCRIPTION
------	---------	---------	-----	-------------

Item	P/N McC	P/N ELX	Qty	DESCRIPTION
------	---------	---------	-----	-------------

**FIGURE 1**

1	249428	538249428	1	crankcase kit
2	241052	538241052	1	wires clamp
3	241077	538241077	2	screw
C 4	243008	538243008	1	wires ass'y(schuko)
C 4	243039	538243039	1	wires ass'y(UK)
C 4	243038	538243038	1	wires ass'y(CH)
C 4	243044	538243044	1	wires ass'y(AU)
C 5 •	242687	538242687	1	microswitch
6	240862	538240862	1	screw self threading 4x18
7	241703	538241703	1	washer
8	240833	538240833	1	screw self threading 3x20
9	243009	538243009	1	trigger
10	243014	538243014	1	trigger lever
C 11	4305	538004305	1	oil tank ass'y
12 •	242365	538242365	1	oil filter
B 13 •	241060	538241060	1	cap
C 14 •	242402	538242402	1	oil tube (tank - oil pump)
15	240862	538240862	1	screw self threading 4x18
B 16	241183	538241183	1	oil pump
17	229743	538229743	1	oil tube (oil tank - chain)
B 18	243005	538243005	1	bushing
19	243006	538243006	1	spring
B 20	243004	538243004	1	brake (stop in time)
21	243007	538243007	1	brake cover
22	240862	538240862	3	screw self threading 4x18
23	229137	538229137	1	seeger D.8
C 24	241074	538241074	1	washer 10x15x1
A 25	241038	538241038	1	gear
C 26	241075	538241075	1	washer 10x30x0,8
B 27	229137	538229137	1	seeger D.8
28	240862	538240862	3	screw self threading 4x18
29	241703	538241703	1	washer 4,5x16x0,8
C 30	243019	538243019	1	trigger lock
C 31	243018	538243018	1	slide
C 32	241574	538241574	1	spring
33	241073	538241073	1	seeger D.8
B 34	243003	538243003	1	pinion
35	241044	538241044	1	lever
36	241045	538241045	1	screw
37	241500	538241500	1	brake metal stripping
38	241451	538241451	1	brake spring
39	247717	538247717	1	brake lever ass'y
40 •	241043	538241043	1	toggle
41 •	229394	538229394	1	pin
42 •	241978	538241978	1	pin

43	241037	538241037	1	tensioner nut
44	229082	538229082	1	screw
45	235367	538235367	1	seeger ring
46	241167	538241167	1	screw
47	241036	538241036	1	spiked bumper
48	240862	538240862	8	screw self threading 4x18
C 49	248317	538248317	1	pinion cover ass'y
50 •	241066	538241066	1	pinion cover plate
51 •	241067	538241067	2	bushing
A 53	242501	538242501	2	nut M6
B 54	243017	538243017	1	cap
55	<b>FIGURE 2</b>			
A 56 •	241035	538241035	2	bar bolt

**FIGURE 2**

C 1	243033	538243033	1	motor ass'y
C 2 •	00248956	538048956	2	brushes
C 3 •	00248957	538048957	1	brushes holder
C 4 •	00216400	538216400	1	bearing
C 5 •	00216404	538216404	1	bearing

A=ALTA ROTAZIONE  
B=MEDIA ROTAZIONE  
C=ALTA ROTAZIONE  
NUOVI CODICI

A=HIGH MOVING  
B=MEDIUM MOVING  
C=SLOW MOVING  
NEW P. NUMBERS

A=HAUTE DEMANDE  
B=MOYENNE DEMANDE  
C=BASSE DEMANDE  
NOUVELLES REFERENCES

A=GROBE NACHFRAGE  
B=MITTELMAESSIGE  
C=WENIGE NACHFRAGE  
NEU CODEX