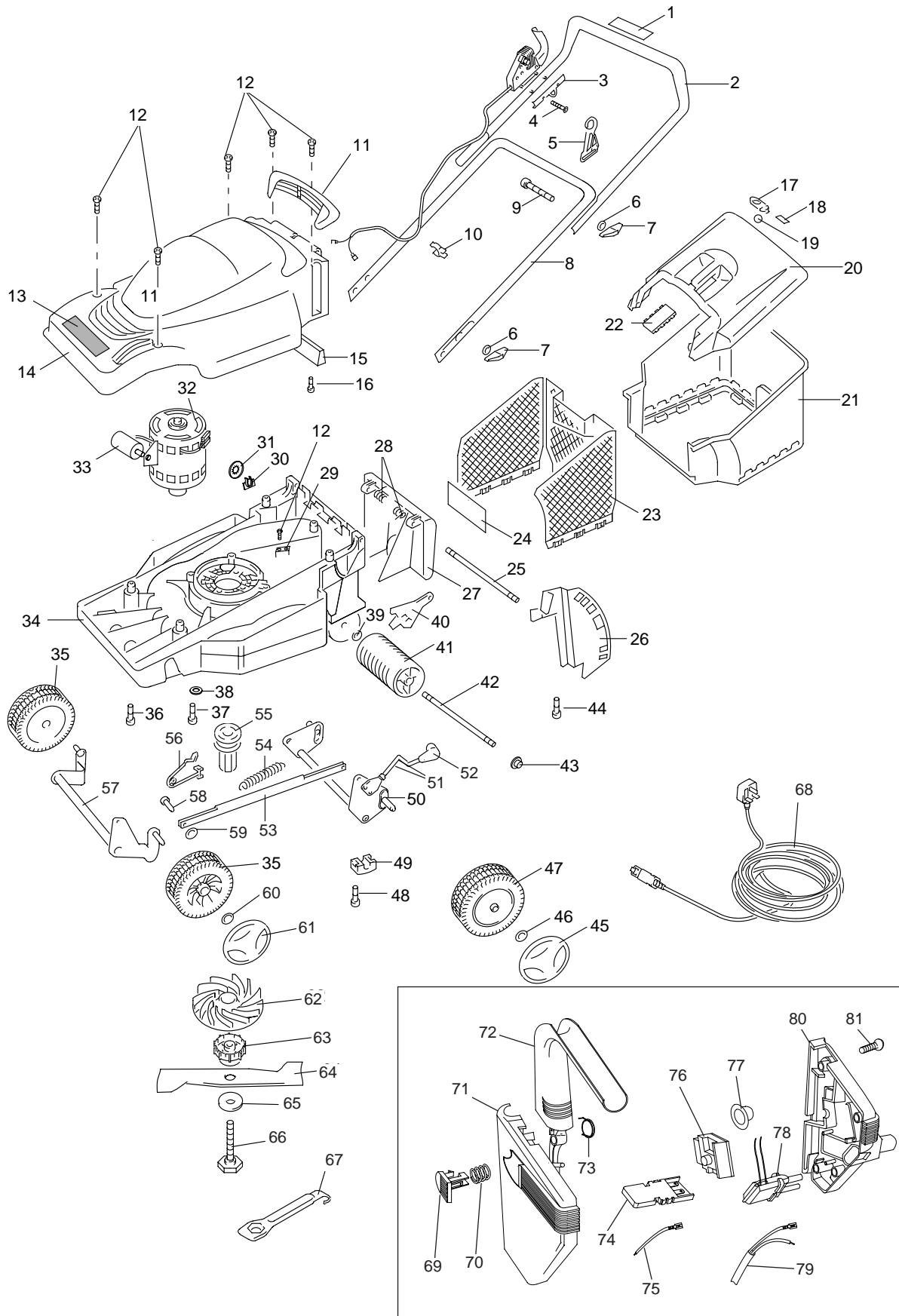


MODEL	VT420	PRODUCT APPLICATION
PRODUCT NO.	9644301, 9644311	9644301-01 GB,EI 9644311-01 GB,EI



MODEL	VT420	PRODUCT APPLICATION
PRODUCT NO.	9644301, 9644311	9644301-01 GB,EI 9644311-01 GB,EI



KEY	PART NUMBER	DESCRIPTION	QTY
01	5138048-00/3	LABEL,WARNING,UPPER HANDLE	1
02	5126816-27/0	HANDLE,UPPER ASSY	1
03	5117657-00/6	SWITCHBOX RETAINER	1
04	5146672-00/0	SCREW	2
05	5138024-00/4	CORD GUIDE	1
06	5149275-01/7	SPACER	4
07	68570-07/6	WING KNOB	4
08	5127411-00/6	HANDLE,LOWER	1
09	5148510-00/0	BOLT,NIBBED	2
10	5137811-00/5	CABLE CLIP	2
11	5106593-00/6	FILTER HOUSING	1
12	5146824-00/7	SCREW	7
13	5149265-00/0	LABEL,FLYMO	1
14	5106614-00/0	COWL	1
15	5138230-00/7	FILTER	2
16	5149197-01/3	SCREW	2
17	5127377-00/9	INDICATOR COVER	1
18	5149233-00/8	LABEL,GRASSBOX	1
19	5149277-00/5	BALL,YELLOW	1
20	5138310-00/7	GRASSBOX TOP	1
21	5106589-00/4	GRASSBOX LOWER	1
22	5127397-00/7	COVER PLATE	1
23	5106591-00/0	SCREEN	1
24	5146467-00/5	LABEL,WARNING	1
25	5138237-00/2	TIE BAR	1
26	5126867-00/0	QUADRANT	1
27	5106590-00/2	SAFETY FLAP	1
28	5137845-00/3	SPRING RETURN	2
29	5136692-01/8	CABLE CLAMP	1
30	5137801-00/6	AXLE CLIP	1
31	5148825-00/2	PUSH-ON-FIX	1
32	5150021-00/3	MOTOR	1
33	5195207-00/5	CAPACITOR	1
34	5106608-04/4	DECK	1
35	5127517-00/0	WHEEL	2
36	5148552-01/0	SCREW	4
37	5148507-00/6	SCREW	4
38	5146309-00/9	WASHER	4
39	5140281-01/4	WASHER	1
40	5138248-00/9	INDEX PLATE	2
41	5126880-00/3	ROLLER	2
42	5137709-00/1	AXLE ROLLER	1
43	5137802-00/4	AXLE MOUNT	1
44	5146736-00/3	SCREW	1
45	5127378-00/7	8"HUB CAP	2
46	5149108-00/2	PUSH ON FIX	2
47	5127518-00/8	WHEEL ASSY,REAR	2
48	5148519-01/9	SCREW	4
49	5137730-00/7	BRIDGE CLAMP	2
50	5127431-01/2	REAR AXLE SUB ASSEMBLY	1
51	5138344-00/6	HEIGHT ADJUSTER LEVER	1
52	5127382-00/9	HEIGHT ADJUSTER KNOB	1
53	5148832-00/8	LINK	1
54	5137731-00/5	SPRING,COUNTERBALANCE	1
55	5127568-00/3	DRIVE HUB	1
56	5127391-00/0	INDICATOR	1
57	5127430-00/6	FRONT AXLE FABRICATION	1
58	5148506-01/6	CLEVIS PIN	2
59	5148524-00/1	WASHER,STARLOCK	2
60	5149108-00/2	PUSH ON FIX	2
61	5127530-00/3	7"HUB CAP	2
62	5117785-00/5	IMPELLER	1
63	5127032-00/0	BLADE SPACER	1
64	5117183-00/3	BLADE 42CM	1
65	5148598-00/5	DISC SPRING	1
66	5148754-00/4	BLADE BOLT	1
67	5126682-00/3	SPANNER/SCRAPER	1
68	5127250-03/2	LEAD	1
69	5127008-00/0	LOCK OFF	1
70	5148658-00/7	SPRING,LOCK OFF	1
71	5106539-00/9	SWITCHBOX,UPPER	1
72	5106587-00/8	LEVER	1
73	5148657-00/9	SPRING,TORSION	1
74	5127255-00/7	THERMAL CUT-OUT	1
75	5148773-00/4	LEAD,INTERNAL	1
76	5137786-00/9	SWITCH	1
77	5148654-00/6	CUT OUT COVER	1
78	5137686-00/1	PIN RETAINER	1
79	5148814-29/5	LEAD	1
80	5106538-01/9	SWITCHBOX,LOWER	1
81	5146672-00/0	SCREW	4