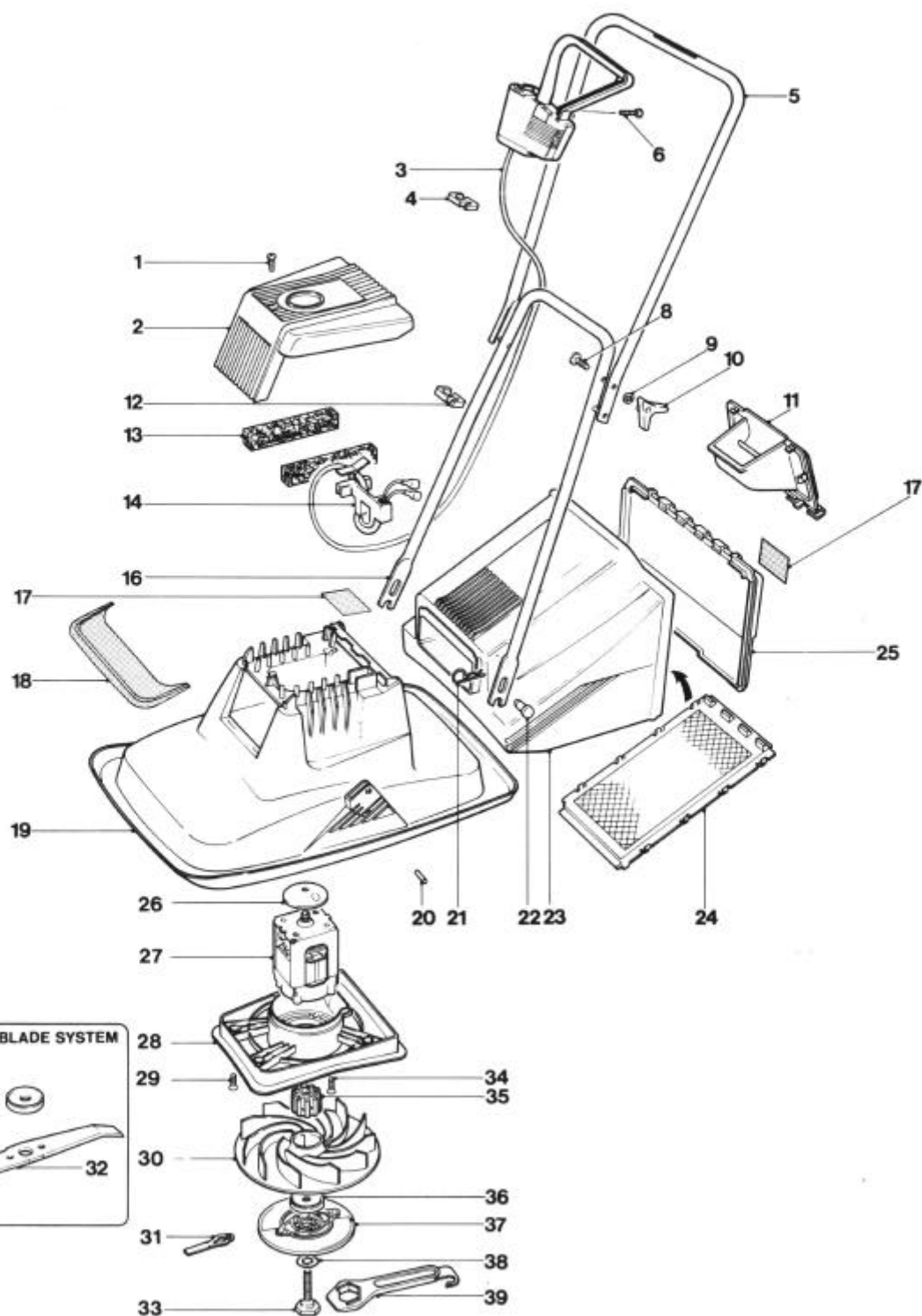


Flymo

SPRINTMASTER XE25-3 9632521
 9632522


Flymo

SPRINTMASTER XE25-3 9632521
9632522

KEY No.	PART No	DESCRIPTION	QUANTITY	COMMENTS APPLICATION	KEY No.	PART No	DESCRIPTION	QUANTITY	COMMENTS APPLICATION
1	5146736-00/3	SCREW HIGH/LOW	1		34	5148122-01/2	SCREW PLASTITE 10 x 19MM LNG	4	
2	5137695-00/2	COVER ASSY	1	GB.EI.	35	5126764-00/9	INSERT-PLASTIC	1	
	5137695-01/0	COVER ASSY	1		36	5136240-01/6	BLADE SPACER	1	
3	5126891-01/8	SWITCHBOX (UNIVERSAL)	1	GB.EI. O/S E.P.		5136668-01/8	BLADE SPACER PEGGED	1	D.S.
	5126901-01/5	SWITCHBOX (EUROPE)	1	F.B.NL.A.N.DK.I.	37	5126739-00/1	DISC ASSY	1	
	5126901-07/2	SWITCHBOX (EUROPE)	1	D.	38	5148259-00/4	WASHER ANTI FRICTION PTFE	1	
	5126902-02/1	SWITCHBOX (EUROPE)	1	S.	39	5126682-00/3	SPANNER/SCRAPER ABS	1	
4	5140482-00/0	CABLE CLIP SMALL	1		40	5126240-00/0	RUNNER CABLE	1	D.A. NOT ILLUSTRATED
5	5126816-02/3	HANDLE/LABEL ASSY	1	GB.EI.	41	5147690-00/1	CLAMP CABLE	2	D. NOT ILLUSTRATED
	5126242-03/0	HANDLE UPPER PLASTIC COATED	1		42	5137740-00/6	LABEL START	1	D. NOT ILLUSTRATED
6	5146672-00/0	SCREW GKN POLYMATE	2		43	5137485-00/0	LABEL AUTO STOP	1	D.S. NOT ILLUSTRATED
8	5140607-00/2	BOLT HANDLE 1/4 UNC x 45LG	2						
9	5140266-00/7	WASHER	2						
10	5140690-00/8	KNOB WING WHITE	2						
11	5106278-02/0	GRASSBOX COVER	1						
12	5140863-01/9	CABLE CLIP LARGE	1						
13	5148267-00/7	FILTER	2						
14	5126741-00/7	CLAMP PLASTIC	1						
16	5117082-00/7	HANDLE LOWER	1						
17	5146467-00/5	LABEL WARNING ELECTRIC	2	GB.EI.					
	5136708-01/2	LABEL WARNING ELECTRIC	2	F.B.NL.					
	5136712-01/4	LABEL WARNING ELECTRIC	2	I.DK.N.					
	5136729-01/8	LABEL WARNING ELECTRIC	2	E.P.O/S					
	5136507-00/0	LABEL WARNING ELECTRIC	2	D.C.H.A.					
	5148371-00/7	LABEL WARNING ELECTRIC	2	S.					
18	5126732-00/6	LABEL FLYMO	1						
19	5126829-00/0	HOOD ASSY	1						
20	5147594-00/5	PIN	2						
21	5140423-00/4	PIN RETAINING	2						
22	5140092-00/7	PIVOT PIN	2						
23	5106338-02/2	GRASS BOX	1						
	5117079-02/9	GRASSBOX COMPLETE ASSY	1						
24	5117078-00/5	SCREEN	1						
25	5106277-02/2	GRASSBOX LID	1	USE 5106339-02/0					
26	5146469-01/9	WARNING DISC ASSY ORANGE	1						
27	5126608-01/6	MOTOR 240 V SQ STACK	1	GB.					
	5126608-02/4	MOTOR 220V SQ STACK	1						
	5126928-02/6	MOTOR 220V C/W BRAKE	1	D.S.					
28	5106279-00/2	MOTOR MOUNTING PLATE	1						
29	5146736-00/3	SCREW HIGH/LOW	4						
30	5116967-01/8	IMPELLER	1						
	5116967-10/9	IMPELLER PEGGED	1	D.S.					
31	5148257-02/4	CUTTER PLASTIC LONG LIFE	2						
32	5126535-01/1	BLADE 25CM	1						
33	5137608-00/5	BLADE BOLT C/W PTFE WASHER	1						

WHERE NO APPLICATION DETAILS ARE SHOWN, PART APPLIES TO ALL COUNTRIES

PRODUCT VARIANT

9632521-25	GB	9632522-72	A.F.B.NL	9632522-78	D
9632522-18	EI	9632522-79	S		
9632522-74	N.DK.I.	9632522-77	O/S.E.P.		