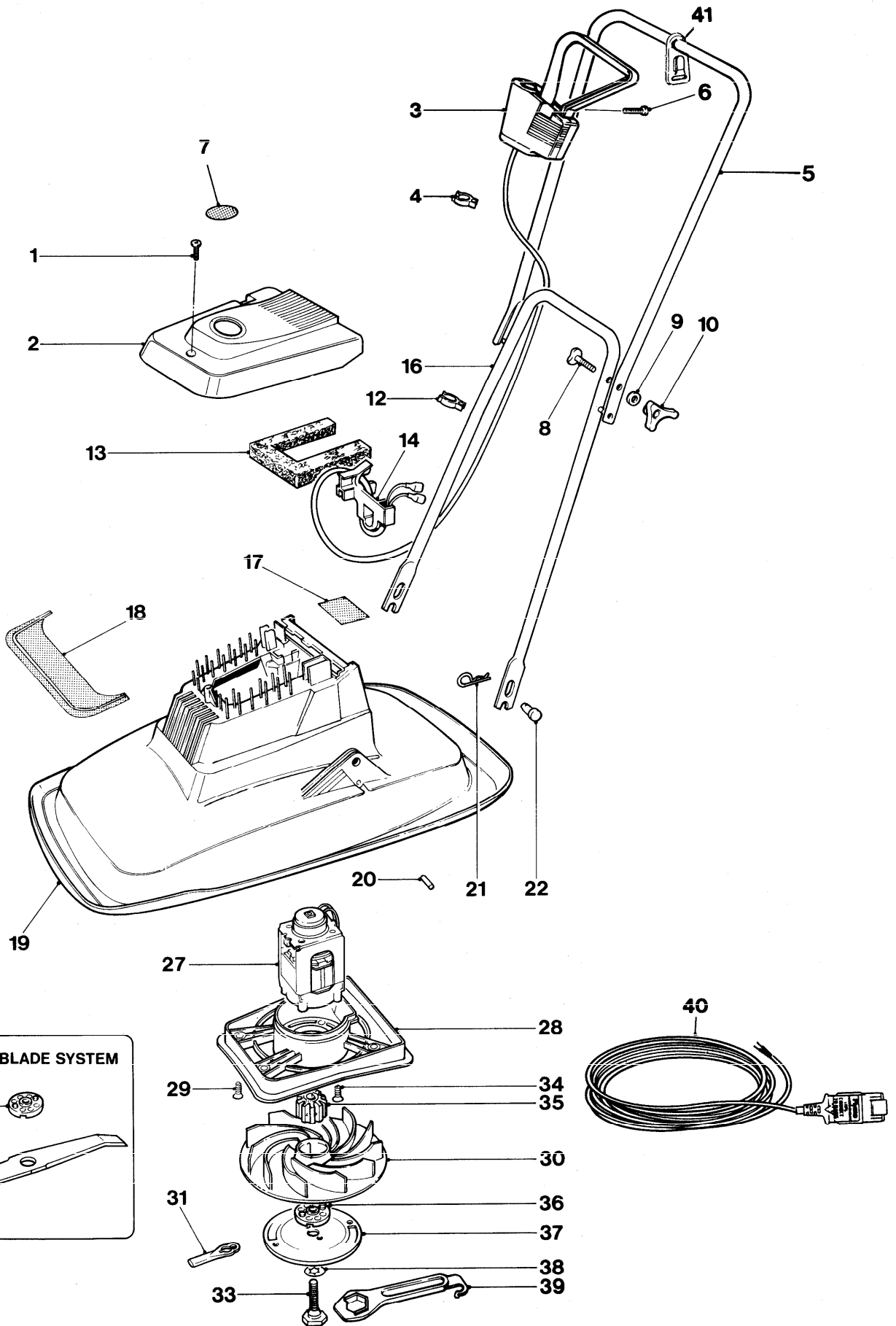




SPRINTER E30-1 TWIN 9633014



STEEL BLADE SYSTEM

36

32



SPRINTER E30-13 TWIN 9633014

KEY No.	PART No	DESCRIPTION	QUANTITY	COMMENTS APPLICATION
1	5146736-00/3	SCREW HIGH/LOW	1	
2	5126821-02/3	COVER ASSY	1	
3	5126891-01/8	SWITCHBOX ASSY	1	GB.EI.
	5126901-07/2	SWITCHBOX (EUROPE)	1	D.
4	5137750-00/5	CLIP CABLE	1	
5	5126816-02/3	HANDLE/LABEL ASSY	1	
6	5146672-00/0	SCREW GKN POLYMATE	2	
7	5137855-00/2	LABEL AUTOSTOP	1	
8	5140607-00/2	BOLT HANDLE ¼ UNC x 45LG	2	
9	5140266-00/7	WASHER	2	
10	5140690-00/8	KNOB WING WHITE	2	
11	5116985-01/0	CABLE TIDY	1	
12	5137750-00/5	CLIP CABLE	1	
13	5137638-00/2	FILTER	1	
14	5126741-00/7	CLAMP PLASTIC	1	
16	5117082-00/7	HANDLE LOWER	1	
17	5146467-00/5	LABEL WARNING ELECTRIC	1	GB.
	5136507-00/0	LABEL WARNING ELECTRIC	1	D.
18	5126885-00/2	LABEL FLYMO	1	
19	5126819-01/9	HOOD 30CM	1	
20	5147594-00/5	PIN	2	
21	5140423-00/4	PIN RETAINING	2	
22	5140092-00/7	PIVOT PIN	2	
27	5126928-01/8	MOTOR BRAKED 240V KS4642/200	1	GB.
	5126928-02/6	MOTOR BRAKED 220V	1	D.EI.
28	5106279-00/2	MOTOR MOUNTING PLATE	1	
29	5146736-00/3	SCREW HIGH/LOW	4	
30	5116967-10/9	IMPELLER	1	
31	5148257-02/4	CUTTER PLASTIC LONG LIFE	2	
32	5126439-00/8	BLADE 30CM	1	
33	5137608-00/5	BLADE BOLT C/W PTFE WASHER	1	
34	5148122-01/2	SCREW PLASTITE 10 x 19MM LNG	4	
35	5126764-00/9	INSERT-PLASTIC	1	
36	5136668-01/8	BLADE SPACER PEGGED	1	
37	5126734-01/0	DISC ASSY	1	
38	5148259-00/4	WASHER ANTI FRICTION PTFE	1	
39	5126682-00/3	SPANNER/SCRAPER ABS	1	
40	5126890-01/0	CABLE EXTENSION	1	GB.EI.
41	5126240-00/0	RUNNER CABLE	1	D.EI.

WHERE NO APPLICATION DETAILS ARE SHOWN PART APPLIES TO ALL COUNTRIES

PRODUCT VARIANT

9633014-25 GB 9633015-78 D.
9633015-18 EI.