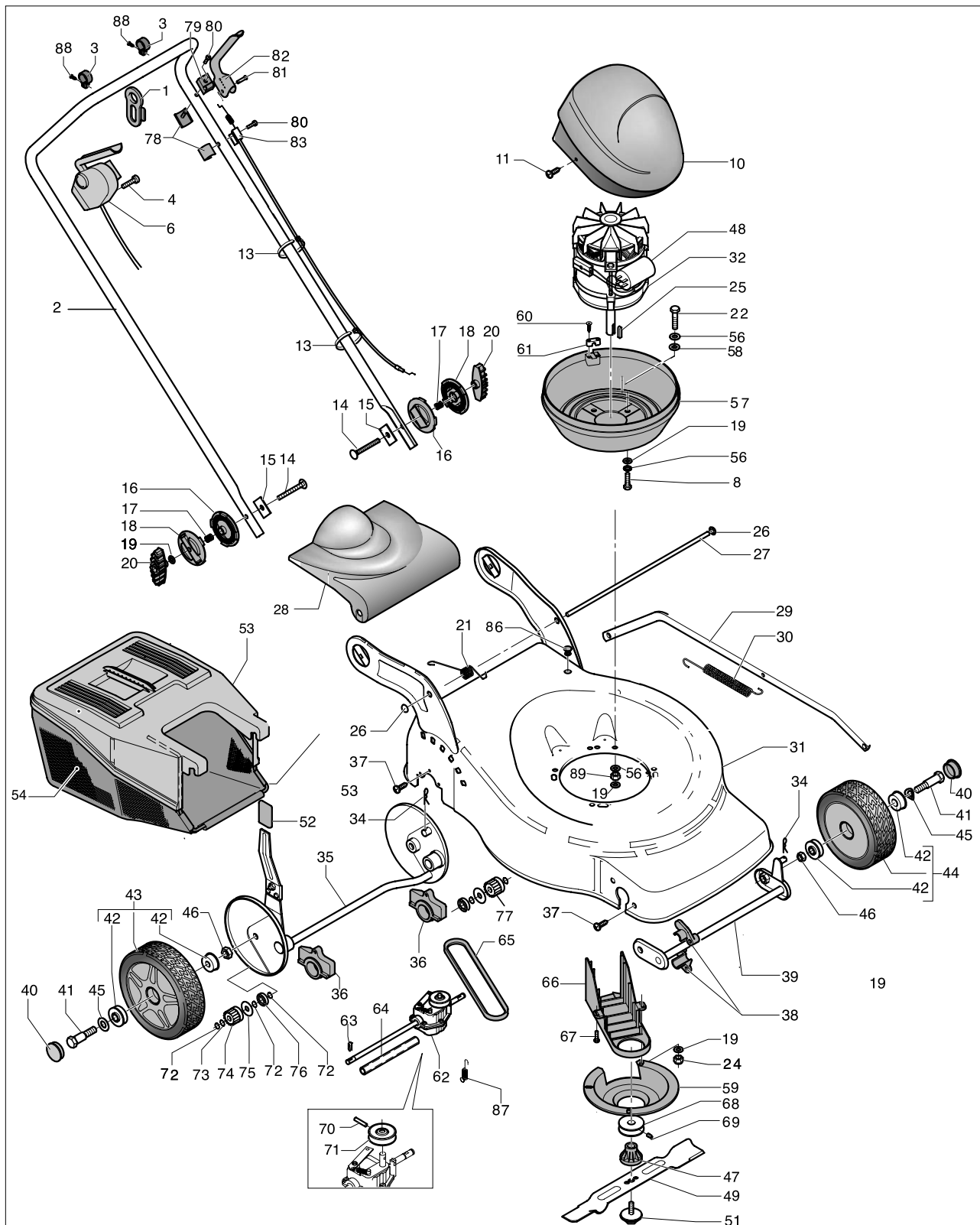


CONSUMER PRODUCT

EIPL2006 V52000002

| BRAND | MODEL | PnC |
|-------|----------|-----------|
| FLYMO | RE 460 D | 953876513 |

Spare parts
Ersatzteile
Pièces détachées
Reserve onderdelen
Repuestos
Reservdelar



| Pos. | PN ELX | DESCRIPTION | Q.ty |
|------|-----------|--------------|------|
| 1 | 531207051 | CABLE HOOK | 1 |
| 2 | 531212753 | HANDLE | 1 |
| 3 | 531207063 | LOCK RING | 2 |
| 4 | 531207675 | SCREW | 2 |
| 6 | 531207081 | SWITCH | 1 |
| 8 | 531208586 | SCREW | 4 |
| 9 | 531211178 | SACK FRAME | 1 |
| 10 | 531212544 | DEFLECTOR | 1 |
| 11 | 531208216 | SCREW | 4 |
| 13 | 531205581 | CLAMP | 1 |
| 14 | 531211480 | SCREW | 2 |
| 15 | 531211581 | PLATE | 2 |
| 16 | 531211473 | DISK | 2 |
| 17 | 531211476 | SPRING | 2 |
| 18 | 531211474 | DISK | 2 |
| 19 | 531204922 | WASHER | 6 |
| 20 | 531205840 | KNOP | 2 |
| 21 | 531211840 | SPRING | 1 |
| 22 | 531211526 | SCREW | 3 |
| 24 | 531208599 | NUT | 3 |
| 25 | 531207041 | KEY | 1 |
| 26 | 531210824 | WASHER | 2 |
| 27 | 531211441 | TIE-ROD | 1 |
| 28 | 531212541 | DEFLECTOR | 1 |
| 29 | 531205069 | ROD | 1 |
| 30 | 531205056 | SPRING | 1 |
| 31 | 531213899 | DECK | 1 |
| 32 | 531212657 | ENGINE | 1 |
| 34 | 531206653 | COTTER PIN | 2 |
| 35 | 531205100 | AXLE | 1 |
| 36 | 531205944 | SUPPORT | 2 |
| 37 | 531208844 | SCREW | 6 |
| 38 | 531205057 | SUPPORT | 4 |
| 39 | 531205050 | AXLE | 1 |
| 40 | 531210795 | PLUG | 4 |
| 41 | 531205042 | SCREW | 4 |
| 42 | 531205214 | BALL-BEARING | 4 |
| 43 | 531212634 | WHEEL | 2 |
| 44 | 531212635 | WHEEL | 2 |
| 45 | 531206644 | WASHER | 4 |
| 46 | 531207978 | NUT | 4 |

| Pos. | PN ELX | DESCRIPTION | Q.ty |
|------|-----------|----------------|------|
| 47 | 531211645 | BLADE ADAPTER | 1 |
| 48 | 531207070 | CAPACITOR | 1 |
| 49 | 531211652 | BLADE | 1 |
| 51 | 531211594 | SCREW | 1 |
| 52 | 531207986 | SHEATING | 1 |
| 53 | 531210785 | BAG FRAME | 1 |
| 54 | 531208306 | SACK | 1 |
| 56 | 531207981 | WASHER | 7 |
| 57 | 531207069 | MOTOR HOUSING | 1 |
| 58 | 531205552 | WASHER | 3 |
| 59 | 531206007 | SAFETY HOUSING | 1 |
| 60 | 531207065 | SCREW | 2 |
| 61 | 531207043 | CABLE LOCK | 1 |
| 62 | 531204755 | GEAR-BOX | 1 |
| 63 | 531205108 | KEY | 2 |
| 64 | 531207697 | SPACER TUBE | 1 |
| 65 | 531207280 | BELT | 1 |
| 66 | 531205047 | BELT HOUSING | 1 |
| 67 | 531207856 | SCREW | 3 |
| 68 | 531205994 | PULLEY | 1 |
| 69 | 531205998 | SCREW | 1 |
| 70 | 531207703 | PIN | 1 |
| 71 | 531208899 | PULLEY | 1 |
| 72 | 531208772 | SEEGER | 6 |
| 73 | 531208859 | WASHER | 2 |
| 74 | 531205045 | PINION | 1 |
| 75 | 531207847 | WASHER | 2 |
| 76 | 531208778 | BALL-BEARING | 2 |
| 77 | 531205046 | PINION | 1 |
| 78 | 531205978 | CABLE LOCK | 2 |
| 79 | 531206040 | HANDLE LOWER | 1 |
| 80 | 531208217 | SCREW | 2 |
| 81 | 531206032 | PIN | 1 |
| 82 | 531206027 | LEVER | 1 |
| 83 | 531211152 | CABLE | 1 |
| 86 | 531205557 | CABLE LOCK | 1 |
| 87 | 531206182 | SPRING | 1 |
| 88 | 531208216 | SCREW | 2 |
| 89 | 531207982 | NUT | 3 |