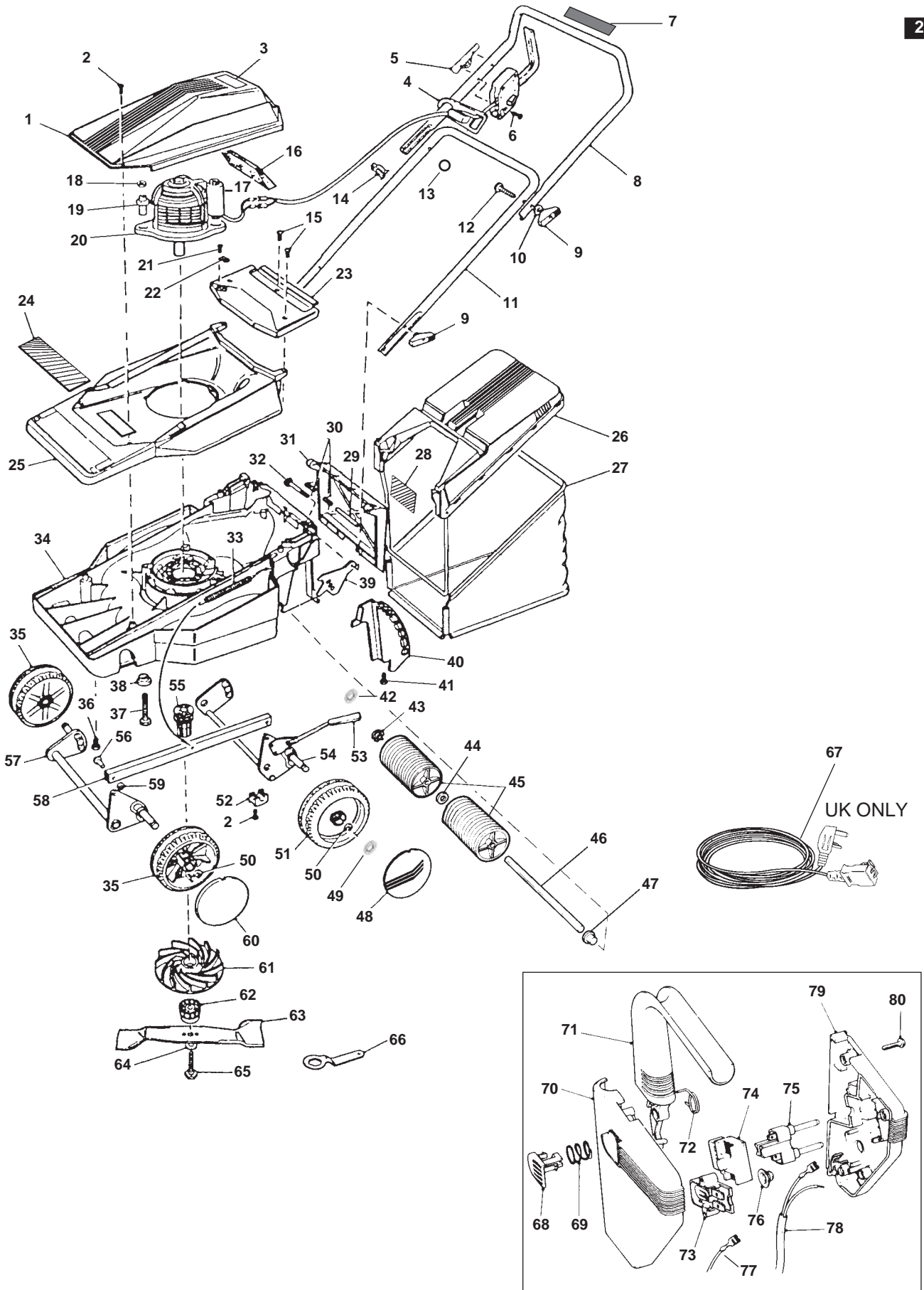


MODEL	RE420
PRODUCT NO.	9644277, 9644278

2 



MODEL	RE420
PRODUCT NO.	9644277, 9644278



KEY	PART NUMBER	DESCRIPTION	QTY		KEY	PART NUMBER	DESCRIPTION	QTY
01	5117209-02/2	COWL TOP	1	GB.EI.	52	5137730-00/7	BRIDGE CLAMP	2
	5117209-03/0	COWL TOP	1	A.B.F.NL.N.DK.S.SF	53	5126874-01/4	KNOB,ADJUSTER	1
02	5148519-01/9	SCREW	6		54	5126927-04/4	AXLE ASSEMBLY	1
03	5137855-01/0	LABEL,AUTOSTOP	1		55	5127229-00/2	DRIVE HUB	1
04	5138024-00/4	CORD GUIDE	1	GB.EI.A.B.F.NL.	56	5148506-00/8	CLEVIS PIN	2
	5126240-00/0	RUNNER CABLE	1	N.DK.S.SF.	57	5127236-00/7	AXLE FABRICATION	1
05	5117657-00/6	SWITCHBOX RETAINER	1		58	5148832-00/8	LINK	1
06	5146672-00/0	SCREW	2		59	5148524-00/1	WASHER,STARLOCK	2
07	5138048-00/3	LABEL,WARNING,U/HANDLE	1	GB.EI.	60	5127158-01/1	HUB CAP,FRONT	2
08	5127295-01/1	HANDLE,UPPER ASSY	1		61	5117785-00/5	FAN	1
09	5137679-03/0	WING KNOB	4		62	5127032-00/0	BLADE SPACER	1
10	5140281-04/8	WASHER .	2		63	5117183-00/3	BLADE 42CM	1
11	5127278-02/5	HANDLE,LOWER	1		64	5148598-00/5	DISC SPRING	1
12	5148510-00/0	BOLT NIBBED	2		65	5148754-00/4	BLADE BOLT ASSY	1
13	5148886-00/4	SPLIT RING	1	N.DK.S.SF.	66	5126682-00/3	SPANNER/SCRAPER	1
14	5137811-00/5	CLIP CABLE	2		67	5127250-03/2	MAINS LEAD	1 GB.EI.
15	5146824-00/7	SCREW	3		68	5127008-00/0	LOCK OFF	1
16	5137698-00/6	FILTER	1		69	5148658-00/7	SPRING,LOCK OFF	1
17	5149015-02/5	CAPACITOR	1		70	5106539-00/9	SWITCHBOX UPPER	1
18	5149061-00/3	LOCKNUT	3		71	5106413-00/7	LEVER	1
19	5138149-00/9	BUSH	3		72	5148657-00/9	SPRING,TORSION	1
20	5195187-00/9	MOTOR KIT 240V	1	GB.EI.	73	5127255-00/7	THERMAL CUT-OUT	1
	5195187-01/7	MOTOR KIT 220V	1	A.B.F.NL.N.DK.S.SF	74	5137786-00/9	SWITCH	1
21	5146941-00/9	SCREW	2		75	5148773-00/4	LEAD,INTERNAL	1
22	5140705-00/4	CABLE CLAMP	1		76	5137686-00/1	PIN RETAINER	1 GB.EI.
23	5106357-01/4	ACCESS PANEL	1		5148784-00/1	PIN RETAINER	1 A.B.F.NL.N.DK.S.SF	
24	5137492-01/2	LABEL,FLYMO	1		77	5148654-00/6	SLEEVE-CUT OUT	1
25	5117200-02/1	COWL BASE	1	GB.EI.	78	5148814-22/0	LEAD ASSY	1 GB.EI.
	5106351-01/7	COWL BASE	1	A.B.F.NL.N.DK.S.SF	5148814-23/8	LEAD ASSY	1 A.B.F.NL.N.DK.S.SF	
26	5127231-02/4	GRASSBAG TOP & FRAME	1		79	5106538-01/9	SWITCHBOX LOWER	1 GB.EI.
27	5117182-01/3	GRASSBAG	1		5106540-01/5	SWITCHBOX LOWER	1 A.B.F.NL.N.DK.S.SF	
28	5146467-00/5	LABEL WARNING	1	GB.EI.	80	5146672-00/0	SCREW	4
	5138204-00/2	LABEL,WARNING	1	A.B.F.NL.				
	5138205-00/9	LABEL,WARNING	1	N.DK.S.SF.				
29	5148568-00/8	SPRING GUIDE	1					
30	5137845-00/3	SPRING RETURN	2					
31	5106353-68/2	SAFETY FLAP	1					
32	5148505-00/0	BOLT COACH	2					
33	5137731-00/5	SPRING C/BALANCE	1					
34	5106350-04/3	DECK 42CM	1					
35	5127136-00/9	WHEEL	2					
36	5148552-01/0	SCREW	4					
37	5148508-00/4	BOLT	3					
38	5148551-00/4	BUSH INSULATOR	3					
39	5137810-00/7	INDEX PLATE	2					
40	5126867-00/0	QUADRANT	1					
41	5146736-00/3	SCREW	1					
42	5148825-00/2	PUSH-ON-FIX	1	GB.EI.				
43	5137801-00/6	AXLE CLIP	1	GB.EI.				
44	5140281-01/4	WASHER	1	GB.EI.				
45	5126880-00/3	ROLLER	2	GB.EI.				
46	5137709-00/1	AXLE,ROLLER	1	GB.EI.				
47	5137802-00/4	AXLE MOUNT	1	GB.EI.				
48	5126918-01/9	HUB CAP,REAR	2					
49	5149108-00/2	PUSH-ON-FIX	2					
50	5148526-00/6	CIRCLIP	2					
51	5126919-00/9	WHEEL ASSY,REAR	2					

### PRODUCT APPLICATION

9644277-01 GB.EI.

9644278-27 N.DK.S.SF.

9644278-20 A.B.F.NL.

WHERE NO APPLICATION DETAILS ARE SHOWN, PART APPLIES TO ALL COUNTRIES

A Austria; AUS Australia; B Belgium; CND Canada; CH Switzerland; D Germany; DK Denmark; E Spain; EI Eire; F France; GB Great Britain; I Italy; N Norway; NL Netherlands; NZ New Zealand; O/S Overseas; P Portugal; S Sweden; SF Finland; USA America; ZA South Africa