

brand	<b>FLYMO</b>
-------	--------------

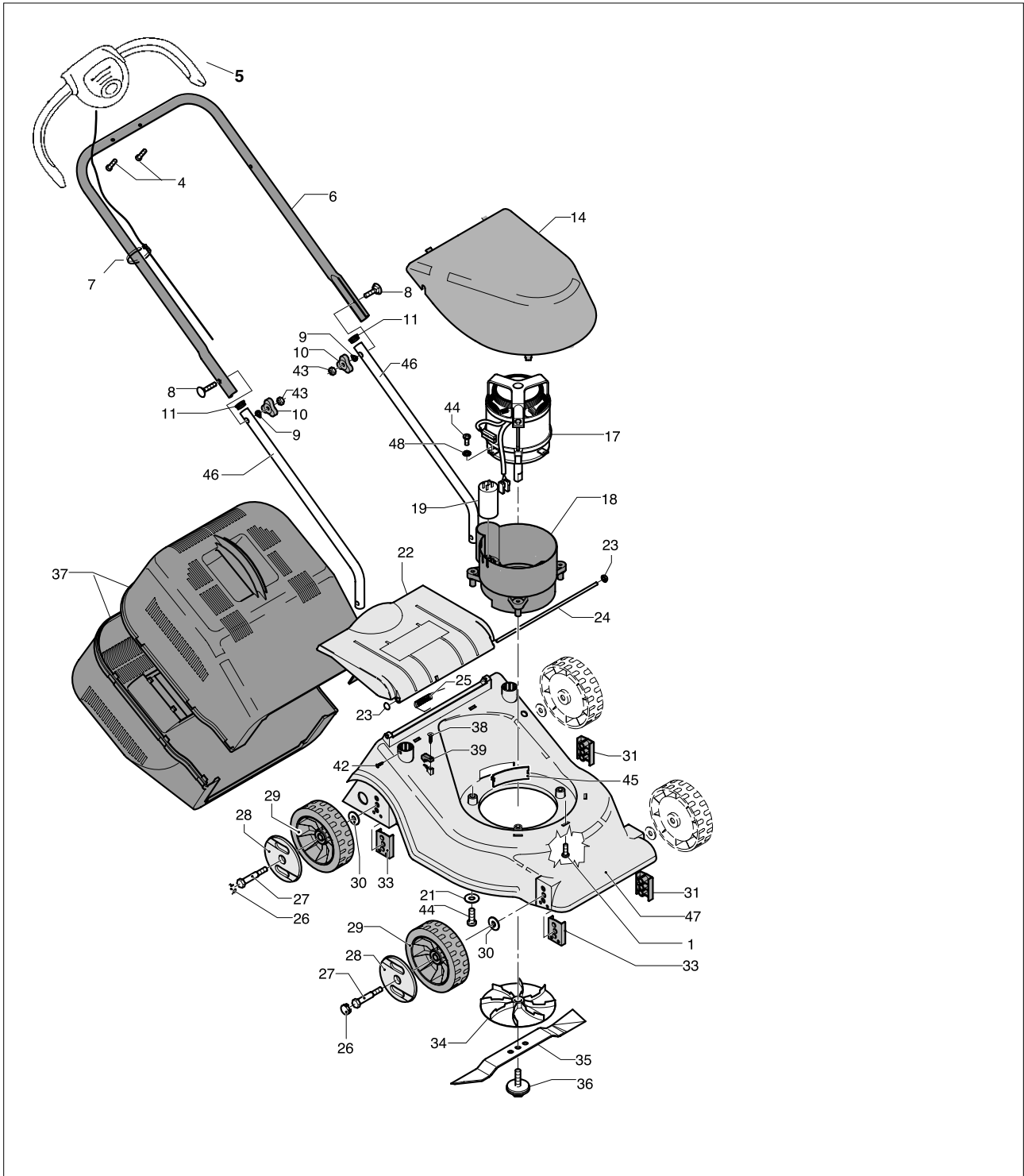
data	MAY /03	SHEET 1/3
------	---------	-----------

Model

<b>RE 400</b>

Product number

<b>9538763-96</b>



Model

Product number

**RE 400**

**9538763-96**

Pos.	PN ELX	MEP P\°	DESCRIPTION	Q.ty	Pos.	PN ELX	MEP P\°	DESCRIPTION	Q.ty
4	531207675	10734500	screw	2	35	531211653	10165680	blade	1
5	511947413	10165670	switch	1	36	531211594	10152913	screw	1
6	531211529	1016564Z	upper handle	1	37	531211534	1016503Z	grass catcher	2
7	531206551	10211103	clamp	1	38	531206433	10165300	screw	1
8	531207089	10402401	screw	2	39	531206430	10165273	cable lock	1
9	531207090	10402402	washer	2	42	531207937	10878000	screw	2
10	531204923	10114303	knob	2	43	531207982	20106300	nut	2
11	531208950	20833303	plug	2	44	531206440	10165350	screw	5
14	510705164	1016565V	motor housing	1	45	531206455	10165503	plug	1
17	531206432	10165290	motor	1	46	531211533	1016560Z	handle lowere	2
18	531206410	10165113	motor bearing	1	47	531211528	1016563Z	deck	1
19	531207070	10396400	condenser	1	48	531208499	20286606	washer	2
21	531207860	10832200	washer	6					
22	531210577	1016502V	deflector	1					
23	531206690	10292800	washer	2					
24	531206416	10165170	tie rod	1					
25	531206399	10165050	spring	1					
26	531210698	1016520V	plug	4					
27	531207977	20101600	screw	4					
28	531210697	1016509V	housing	4					
29	531206401	10165073	wheel	4					
30	531207989	20113000	washer	4					
31	531206415	10165163	plate	2					
33	531206419	10165193	plate	2					
34	531211593	10152903	cooling fan	1					