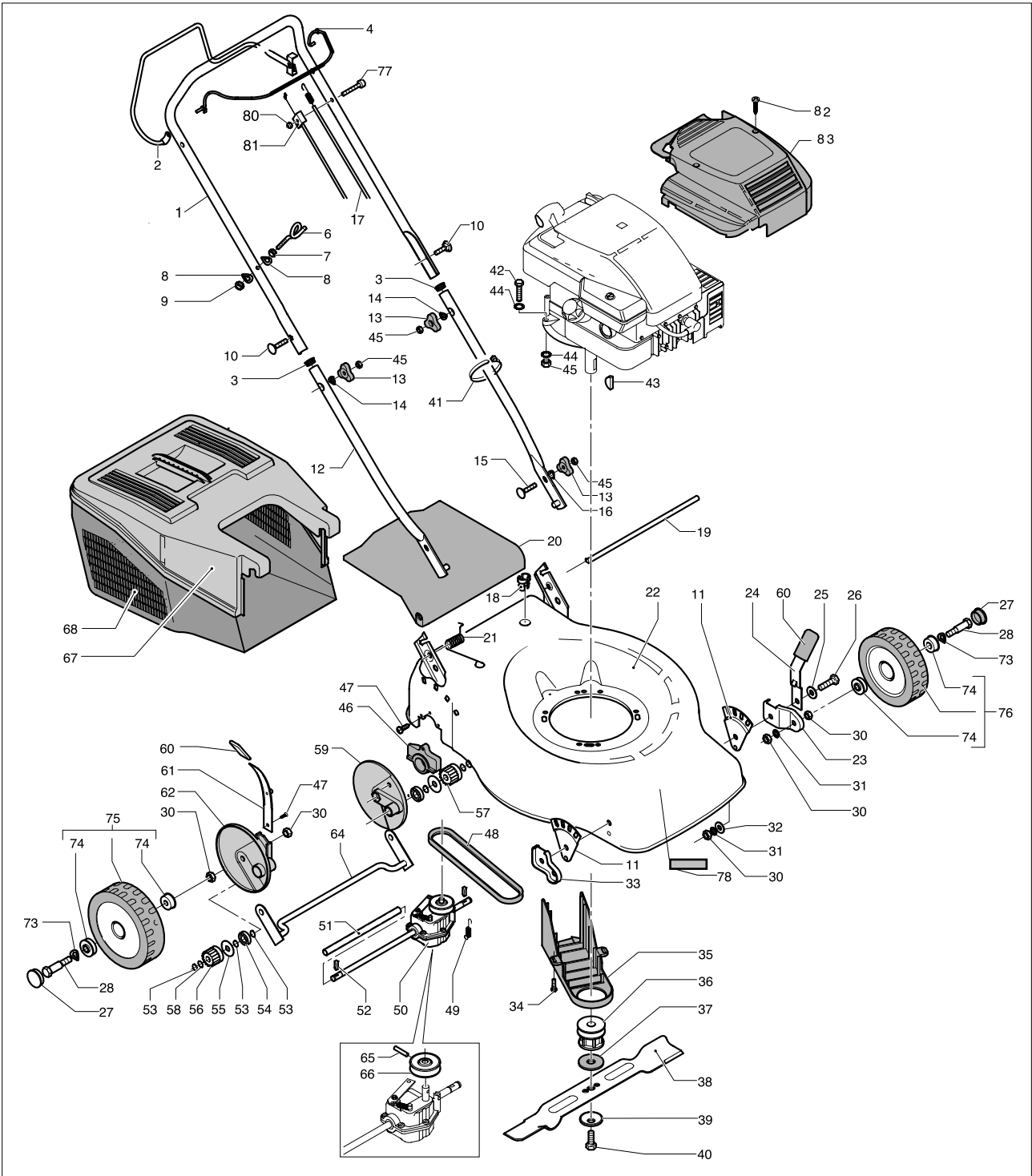


brand	FLYMO
-------	--------------

date	FEB/04	SHEET 1/2
------	--------	-----------

Model	QUICKSILVER 46SD
-------	-------------------------

Product number	9538780-31
----------------	-------------------



brand **FLYMO**

date FEB-04 SHEET 2/2

Model
QUICKSILVER 46SD
Product number
9538780-31

Pos.	PN ELX	DESCRIPTION	Q.ty
1	531205203	UPPER HANDLE	1
2	531205208	CLUTCH HANDLE	1
3	531208950	PLUG	2
4	531205167	BRAKE HANDLE	1
6	531205169	CABLE HOOK	1
7	531207165	NUT	1
8	531204961	WASHER	2
9	531208491	NUT	1
10	531207089	SCREW	2
11	531210608	SUPPORT	2
12	531206071	HANDLE LOWER	2
13	531204923	KNOP	4
14	531207090	WASHER	2
15	531204921	SCREW	2
16	531204922	WASHER	2
17	531206191	CABLE	1
18	531205557	CABLE LOCK	1
19	531205060	TIE ROD	1
20	531212360	DEFLECTOR	1
21	531205999	SPRING	1
22	531212430	DECK	1
23	531204914	SUPPORT	1
24	531207985	LEVER	2
25	531206020	WASHER	2
26	531204912	SCREW	2
27	531210580	PLUG	4
28	531205042	SCREW	4
30	531207978	NUT	10
31	531208974	washer	4
32	531207989	WASHER	2
33	531204915	SUPPORT	1
34	531207856	SCREW	3
35	531205047	BELT HOUSING	1
36	531205048	BLADE ADAPTER	1
37	531207243	WASHER	1
38	531211652	BLADE	1
39	531207237	WASHER	1
40	531208008	SCREW	1
41	531205581	CLAMP	2
42	531205196	SCREW	3
43	531204907	KEY	1

Pos.	PN ELX	DESCRIPTION	Q.ty
44	531207981	WASHER	6
45	531207982	NUT	7
46	531205944	SUPPORT	2
47	531208216	SCREW	3
48	531207280	BELT	1
49	531205216	SPRING	1
50	531212936	GEAR-BOX	1
51	531207697	SPACER TUBE	1
52	531205108	KEY	2
53	531208772	SEEGER	6
54	531208778	BALL-BEARING	2
55	531207847	WASHER	2
56	531205045	PINION	1
57	531205046	PINION	1
58	531208859	WASHER	2
59	531205195	FLANGE	1
60	531207986	SHEATING	3
61	531205228	LEVER	1
62	531205194	FLANGE	1
64	531205210	AXLE	1
65	531207703	RESILIENT PIN	1
66	531208899	PULLEY	1
67	531208296	GRASS CATCHER UPPER	1
68	531208313	GRASS CATCHER BOTTOI	1
73	531206644	WASHER	4
74	531205214	BALL-BEARING	8
75	531212128	WHEEL	2
76	531212130	WHEEL	2
77	531206346	SCREW	1
78	531212894	LABEL	1
80	531205213	NUT	1
81	531205191	CABLE	1
82	531211690	MOTOR COVER	1
83	531213013	DECK	1