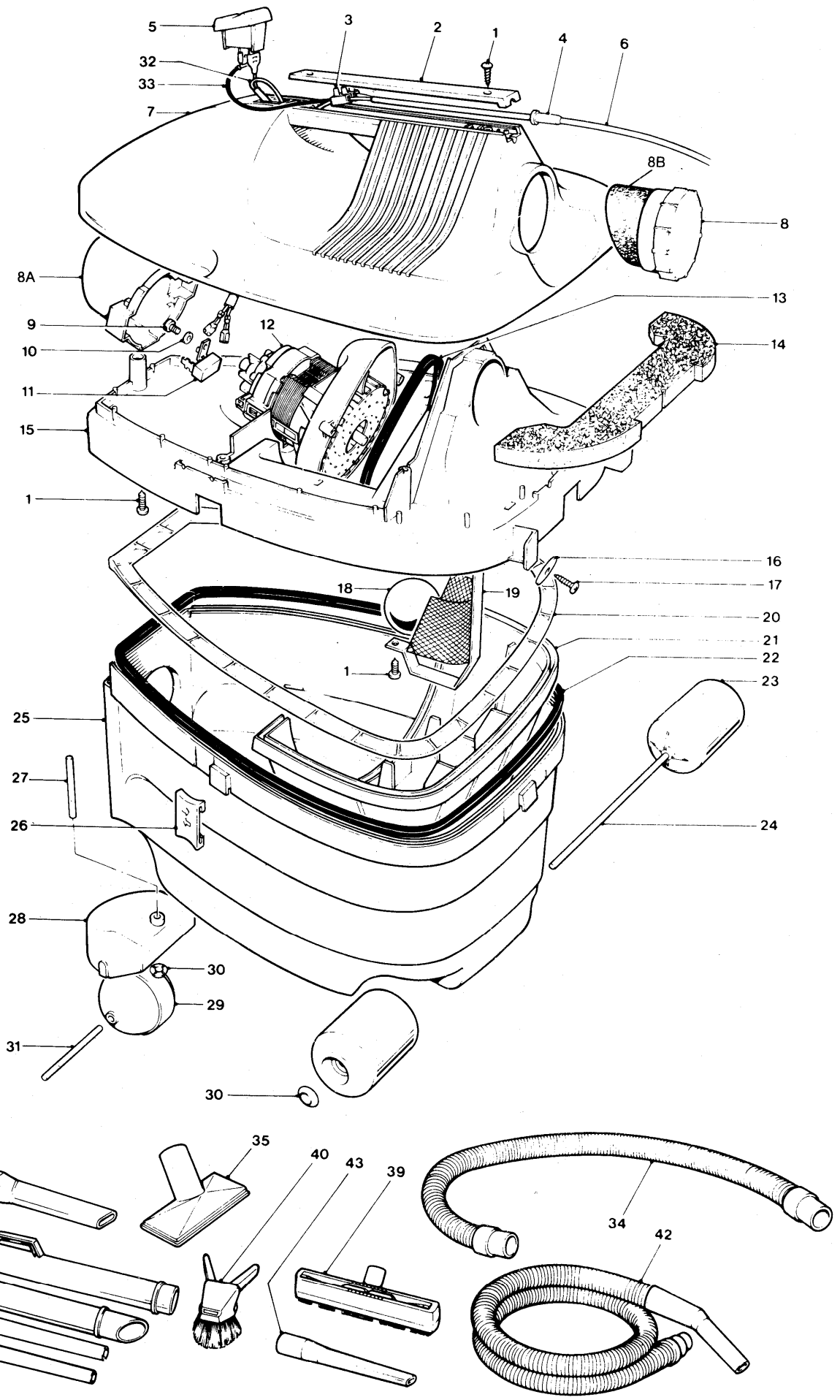


MULTIVAC 9646501  
9646502





# MULTIVAC 9646501 9646502

KEY No.	PART No.	DESCRIPTION	QUANTITY	COMMENTS/ APPLICATION	KEY No.	PART No.	DESCRIPTION	QUANTITY	COMMENTS/ APPLICATION
1	5146672-00/0	SCREW GKN POLYMATE	7		31	5147768-00/5	AXLE FRONT	1	
2	5136611-00/0	CABLE COVER	1		32	5147771-03/3	LEAD ASSY INTERNAL MULTIVAC	1	
3	322974-02/3	TERMINAL BLOCK	1	METRIC SCREWS ONLY	33	5136685-00/4	LEAD INTERNAL MULTIVAC ORANGE	1	
	5147933-00/5	TERMINAL BLOCK 3 WAY	1		34	5136616-00/9	HOSE ASSY	1	
4	103571-04/8	PROTECTION SLEEVE	1	NLA USE 0103571-08/9	35	5126393-00/7	NOZZLE FLAT	1	
5	5136615-00/1	SWITCH 2 POLE	1		36	5126391-02/7	TUBE EXTENSION UPPER	1	
6	5147001-32/4	LEAD TERMINAL	1	GB. EARLY PRODUCED PRODUCTS	37	5126391-01/9	TUBE EXTENSION LOWER	1	
	5148028-01/1	CABLE 3 CORE 0.75mm PVC 7M LNC	1	GB. LATER PRODUCED PRODUCTS	38	323290-02/3	TUBE STRAIGHT	2	
	5147000-06/0	LEAD TERMINAL	1	F.D.NL.I.E.	39	322767-03/9	BRUSH ATTACHMENT NOZZLE	1	
7	5106128-00/1	MOTOR COVER	1		40	323300-02/0	COMBINATION NOZZLE SMALL	1	
8	5147763-00/6	END CAP	1		41	5126392-00/9	NOZZLE CREVICE ORANGE	1	
	5136612-00/8	MOTOR SHROUD	1		42	5136680-01/3	HOSE ASSY 32mm	1	
	5147870-00/9	NOISE ABSORBER	1	NLA USE 5136695-00/3	43	323348-02/9	CREVICE NOZZLE SMALL	1	
9	341873-01/6	SCREW	1						
10	18631-00/2	WASHER	1						
11	113030-01/9	SUPPRESSOR 0.15 MF	1						
12	5126398-01/4	MOTOR/FAN UNIT 240 VOLT	1	ALT USE 323433-00/3					
	5126398-02/2	MOTOR/FAN UNIT 220 VOLT	1						
13	5147765-02/7	SEAL MOTOR	1						
14	5126511-00/4	FILTER	1						
15	5106129-00/9	MOTOR SUPPORT PLATE	1						
16	5147884-00/0	WASHER	3						
17	5146941-00/9	SCREW HI-LO 04.32 x 16LG PAN	3						
18	5147764-00/4	BALL FLOAT	1						
19	5126504-00/9	FLOAT CHAMBER	1						
20	5116640-00/3	SUPPORT RING	1						
21	5116666-01/6	FILTER HOUSING	1	NLA USE 5116666-02/4					
	5106211-00/5	FILTER PRIMARY	1	NOT ILLUSTRATED					
	5148036-00/6	PRESS STUD	2	NOT ILLUSTRATED					
	5148050-00/7	PRESS STUD WASHER	2	NOT ILLUSTRATED					
22	5147765-01/9	SEAL CONTAINER	1						
23	5147766-00/9	WHEEL ASSY REAR	2						
24	5147769-00/3	AXLE REAR	1						
25	5106125-00/7	CONTAINER	1						
26	5136614-00/4	LATCH	3						
27	5147770-00/1	CASTOR PIN	1						
28	5126379-00/6	CASTOR HOUSING	1						
29	5147767-00/7	CASTOR ASSY	1						
30	5146682-00/9	STARLOCK WASHER	3						

### PRODUCT VARIANT

9646501-25 240v GB  
9646501-26 240v GB

9646502-03 220v A  
9646502-07 220v SF

9646502-08 220v F-B-NL-I-E-P-OS  
9646502-09 220v D

9646502-21 220v S-N-DK  
9646502-22 220v CM

Where no application details are shown the part applies to all countries.