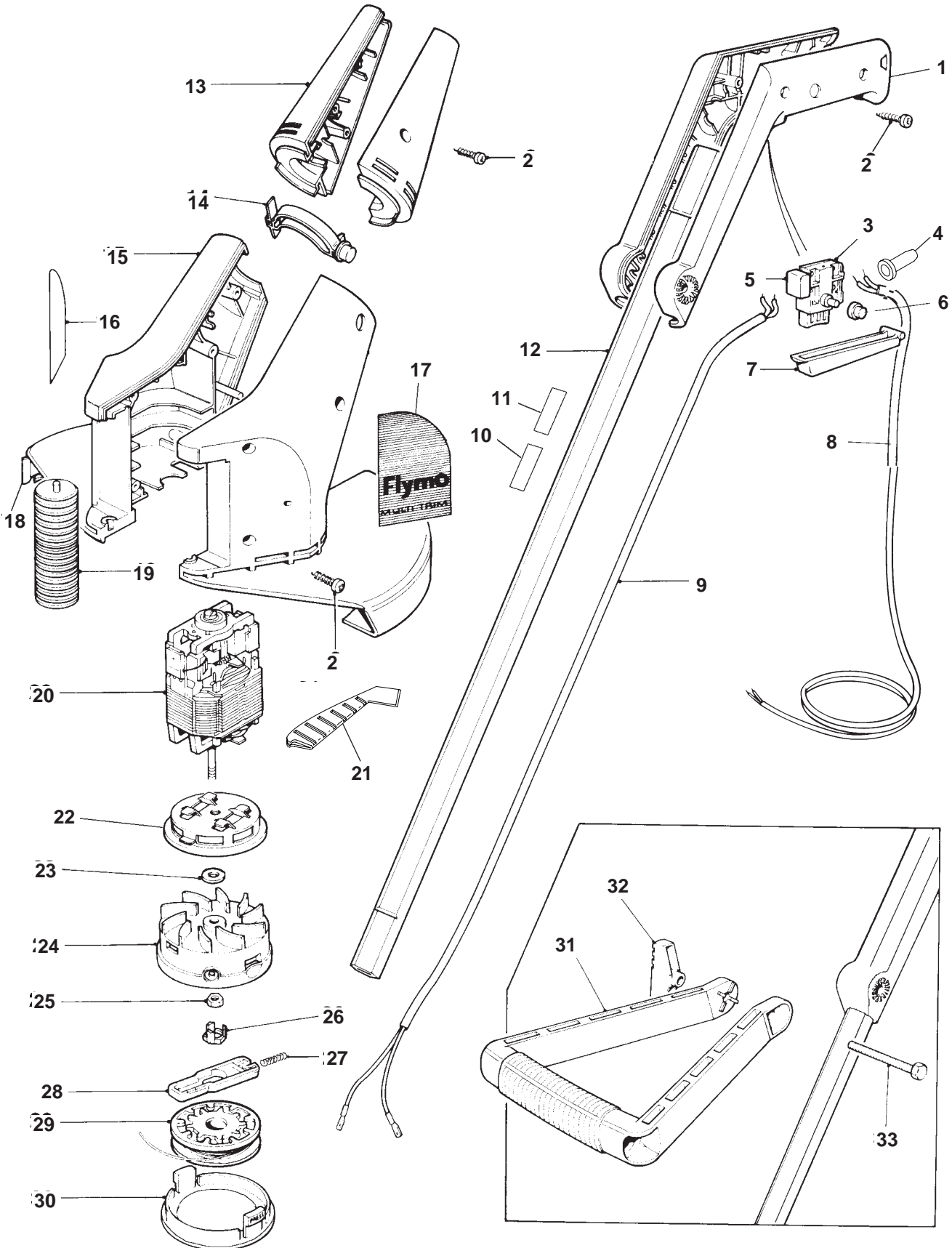


| | |
|-------------|---------------------------|
| MODEL | Multi trim 250 |
| PRODUCT NO. | 9648518; 9648519, 9648527 |



| | |
|-------------|---------------------------|
| MODEL | Multi trim 250 |
| PRODUCT NO. | 9648518; 9648519, 9648527 |



| KEY | PART NUMBER | DESCRIPTION | QTY |
|-----|--------------|--------------------|---|
| 01 | 5149206-03/8 | HANDLES,PAIR OF | 1 |
| 02 | 5146672-00/0 | SCREW | 10 |
| 03 | 5137630-03/3 | SWITCH | 1 GB.EI.AUS.F.I.E.P.B.NL.D. |
| | 5138074-01/7 | SWITCH | 1 CH.DK.S.SF.N.A. |
| 04 | 5148741-01/9 | PROTECTION SLEEVE | 1 CH. |
| 05 | 5148397-01/0 | CAPACITOR | 1 |
| 06 | 5148253-01/5 | LOCK OFF COVER | 1 |
| 07 | 5137609-02/9 | SWITCH LEVER | 1 |
| 08 | 5127251-01/4 | LEAD ASSY | 1 GB.EI. |
| | 5147000-03/7 | LEAD ASSY | 1 CH. |
| | 5148282-02/2 | LEAD ASSY | 1 F.I.E.P.DK.S.SF.N.A.B.NL.D. |
| | 5138270-00/3 | LEAD ASSY | 1 AUS |
| 09 | 5137632-01/3 | LEAD,INTERNAL | 1 GB.EI.F.I.E.P.DK.S.SF.N.A.B.NL.D.AUS. |
| | 5137632-00/5 | LEAD,INTERNAL | 1 CH |
| 10 | 5126906-01/4 | LABEL,WARNING | 1 GB.EI.AUS. |
| | 5126906-03/0 | LABEL,WARNING | 1 N.A.F.B.NL.D.CH. |
| | 5126906-06/3 | LABEL,WARNING | 1 DK.S.SF. |
| | 5127351-04/6 | LABEL,WARNING | 1 F.I.E.P. |
| 11 | 5127351-01/2 | LABEL,WARNING | 1 F.I.E.P.CH. |
| | 5127351-02/0 | LABEL,WARNING | 1 F.B.NL.D. |
| | 5127351-03/8 | LABEL,WARNING | 1 DK.S.SF. |
| | 5126906-05/5 | LABEL,WARNING | 1 N.A. |
| 12 | 5126981-68/6 | HANDLE TUBE | 1 |
| 13 | 5148915-00/1 | SWIVELS,PAIR OF | 1 |
| 14 | 5137842-01/8 | LOCK BUTTON,SWIVEL | 1 |
| 15 | 5149334-01/2 | CLAMSHELLS,KIT | 1 |
| 16 | 5149022-01/3 | LABEL,R/H | 1 |
| 17 | 5149022-02/1 | LABEL,L/H | 1 |
| 18 | 5148353-00/5 | LINE CUTTER | 1 |
| 19 | 5148323-01/6 | ROLLER | 1 |
| 20 | 5126994-02/8 | MOTOR | 1 |
| 21 | 5126913-00/2 | SCRAPER | 1 |
| 22 | 5126903-00/3 | SPLASHPROOF RING | 1 N.A. |
| 23 | 7341153-01/8 | WASHER | 1 |
| 24 | 5148621-01/3 | HEAD FERRULE ASSY | 1 |
| 25 | 5148683-00/5 | NUT | 1 |
| 26 | 5148631-00/4 | INSULATION CAP | 1 |
| 27 | 5148940-00/9 | SPRING | 1 |
| 28 | 5127198-00/9 | LINE FEEDER | 1 |
| 29 | 5137651-01/3 | SPOOL & LINE | 1 |
| 30 | 5126976-00/9 | SPOOL COVER | 1 |
| 31 | 5117312-01/6 | HANDLE ASSIST | 1 |
| 32 | 5137679-00/6 | WING KNOB | 1 |
| 33 | 5149140-00/5 | HEX BOLT | 1 |

PRODUCT APPLICATION

| | | | | | | | |
|------------|----------|------------|-----------|------------|----------|------------|-----------|
| 9648518-25 | GB.EI. | 9648519-33 | DK.S.SF. | 9648527-25 | GB.EI. | 9648527-83 | F.B.NL.D. |
| 9648518-99 | AUS. | 9648519-82 | N.A. | 9648527-32 | F.I.E.P. | | |
| 9648519-22 | CH. | 9648519-83 | F.B.NL.D. | 9648527-33 | DK.S.SF. | | |
| 9648519-32 | F.I.E.P. | 9648527-22 | CH. | 9648527-82 | N.A. | | |

WHERE NO APPLICATION DETAILS ARE SHOWN, PART APPLIES TO ALL COUNTRIES

A Austria; AUS Australia; B Belgium; CND Canada; CH Switzerland; D Germany; DK Denmark; E Spain; EI Eire; F France; GB Great Britain; I Italy; N Norway; NL Netherlands; NZ New Zealand; O/S Overseas; P Portugal; S Sweden; SF Finland; USA America; ZA South Africa