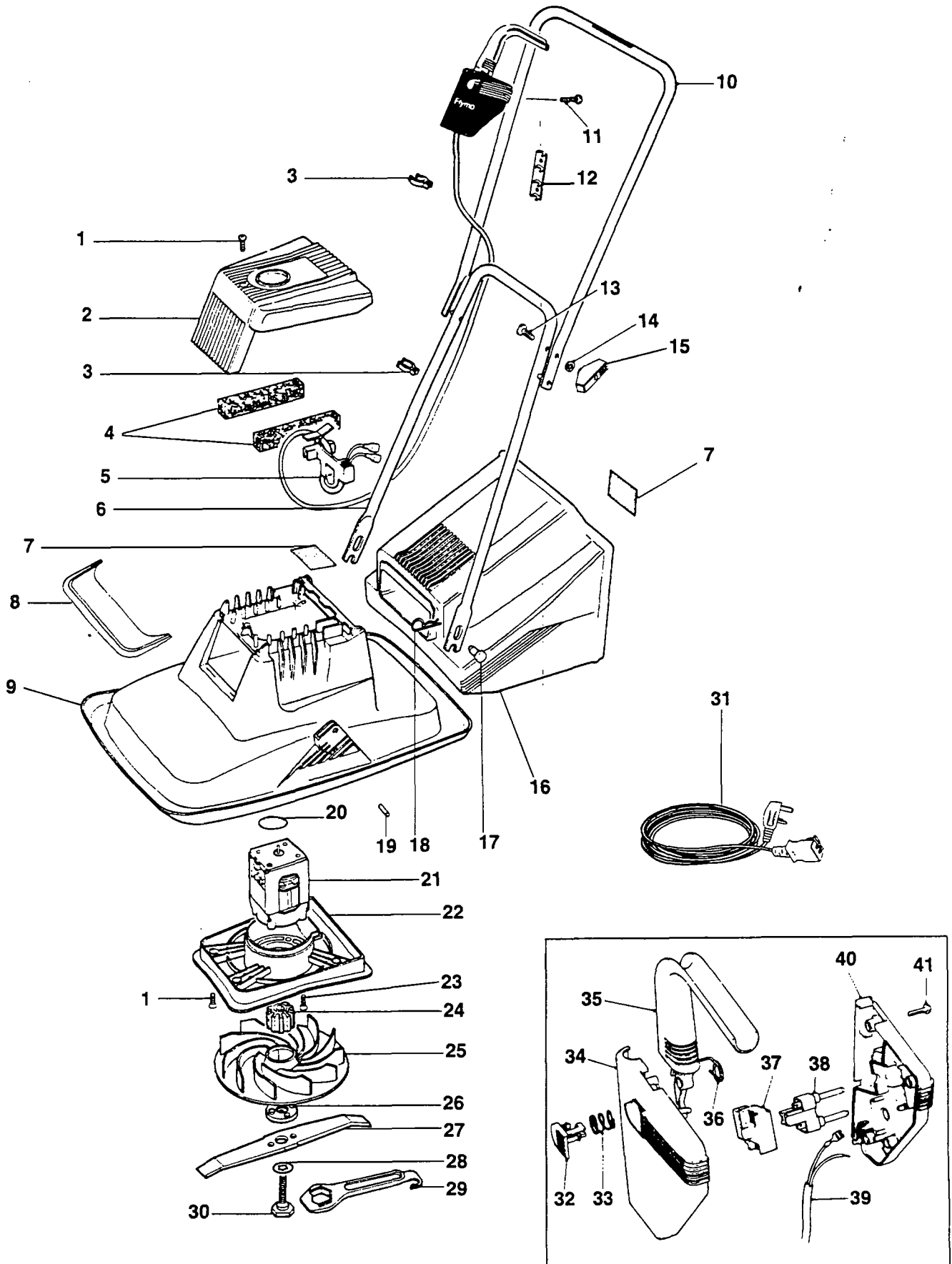


Flymo

| | |
|-------------|----------------|
| MODEL | Minimo Plus XE |
| PRODUCT NO. | 9632563 |



Flymo

| | |
|-------------|----------------|
| MODEL | Minimo Plus XE |
| PRODUCT NO. | 9632563 |

| KEY | PART NUMBER | DESCRIPTION | QTY |
|-----|--------------|----------------------------|-----|
| 01 | 5146736-00/3 | SCREW | 5 |
| 02 | 5126731-01/6 | COWL | 1 |
| 03 | 5137750-00/5 | CABLE CLIP | 2 |
| 04 | 5148267-00/7 | FILTER | 2 |
| 05 | 5126741-00/7 | CLAMP,PLASTIC | 1 |
| 06 | 5117690-01/5 | HANDLE,LOWER | 1 |
| 07 | 5146467-00/5 | LABEL,WARNING | 2 |
| 08 | 5126732-01/4 | LABEL,FLYMO | 1 |
| 09 | 5126829-00/0 | HOOD 25CM | 1 |
| 10 | 5126816-21/3 | HANDLE/LABEL ASSY | 1 |
| 11 | 5146672-00/0 | SCREW | 2 |
| 12 | 5117659-01/0 | RETAINER,SWITCHBOX | 1 |
| 13 | 5148672-00/8 | HANDLE BOLT | 2 |
| 14 | 5140266-00/7 | WASHER | 2 |
| 15 | 5140690-04/0 | WING KNOB | 2 |
| 16 | 5117146-04/2 | GRASSBOX ASSEMBLY | 1 |
| 17 | 5140092-03/1 | PIVOT PIN | 2 |
| 18 | 5140423-00/4 | PIN,RETAINING | 2 |
| 19 | 5147594-00/5 | PIN | 2 |
| 20 | 5146469-01/9 | WARNING DISC ASSY | 1 |
| 21 | 5150004-01/7 | MOTOR - 240V | 1 |
| 22 | 5106491-00/3 | MOTOR MOUNTING PLATE | 1 |
| 23 | 5148122-01/2 | SCREW | 4 |
| 24 | 5126764-00/9 | INSERT,IMPELLER | 1 |
| 25 | 5116967-10/9 | IMPELLER | 1 |
| 26 | 5138110-01/9 | BLADE SPACER PEGGED | 3 |
| 27 | 5126535-01/1 | BLADE 25CM | 1 |
| 28 | 5148259-00/4 | WASHER,ANTI FRICTION PTFE | 1 |
| 29 | 5126682-00/3 | SPANNER/SCRAPER | 1 |
| 30 | 5137608-00/5 | BLADE BOLT C/W PTFE WASHER | 1 |
| 31 | 5127250-03/2 | MAINS LEAD | 1 |
| 32 | 5127008-00/0 | LOCK OFF | 1 |
| 33 | 5148658-00/7 | SPRING,LOCK OFF | 1 |
| 34 | 5106539-01/7 | SWITCHBOX UPPER | 1 |
| 35 | 5106481-01/2 | LEVER | 1 |
| 36 | 5148657-00/9 | SPRING,TORSION | 1 |
| 37 | 5137685-00/3 | SWITCH | 1 |
| 38 | 5137686-00/1 | PIN RETAINER | 1 |
| 39 | 5148814-11/3 | LEAD ASSEMBLY | 1 |
| 40 | 5106538-00/1 | SWITCHBOX LOWER | 1 |
| 41 | 5146672-00/0 | SCREW | 4 |

PRODUCT APPLICATION

9632563-01 GB

WHERE NO APPLICATION DETAILS ARE SHOWN, PART APPLIES TO ALL COUNTRIES

A Austria; AUS Australia; B Belgium; CND Canada; CH Switzerland; D Germany; DK Denmark; E Spain; EI Elre; F France; GB Great Britain; I Italy; N Norway; NL Netherlands; NZ New Zealand; O/S Overseas; P Portugal; S Sweden; SF Finland; USA America; ZA South Africa