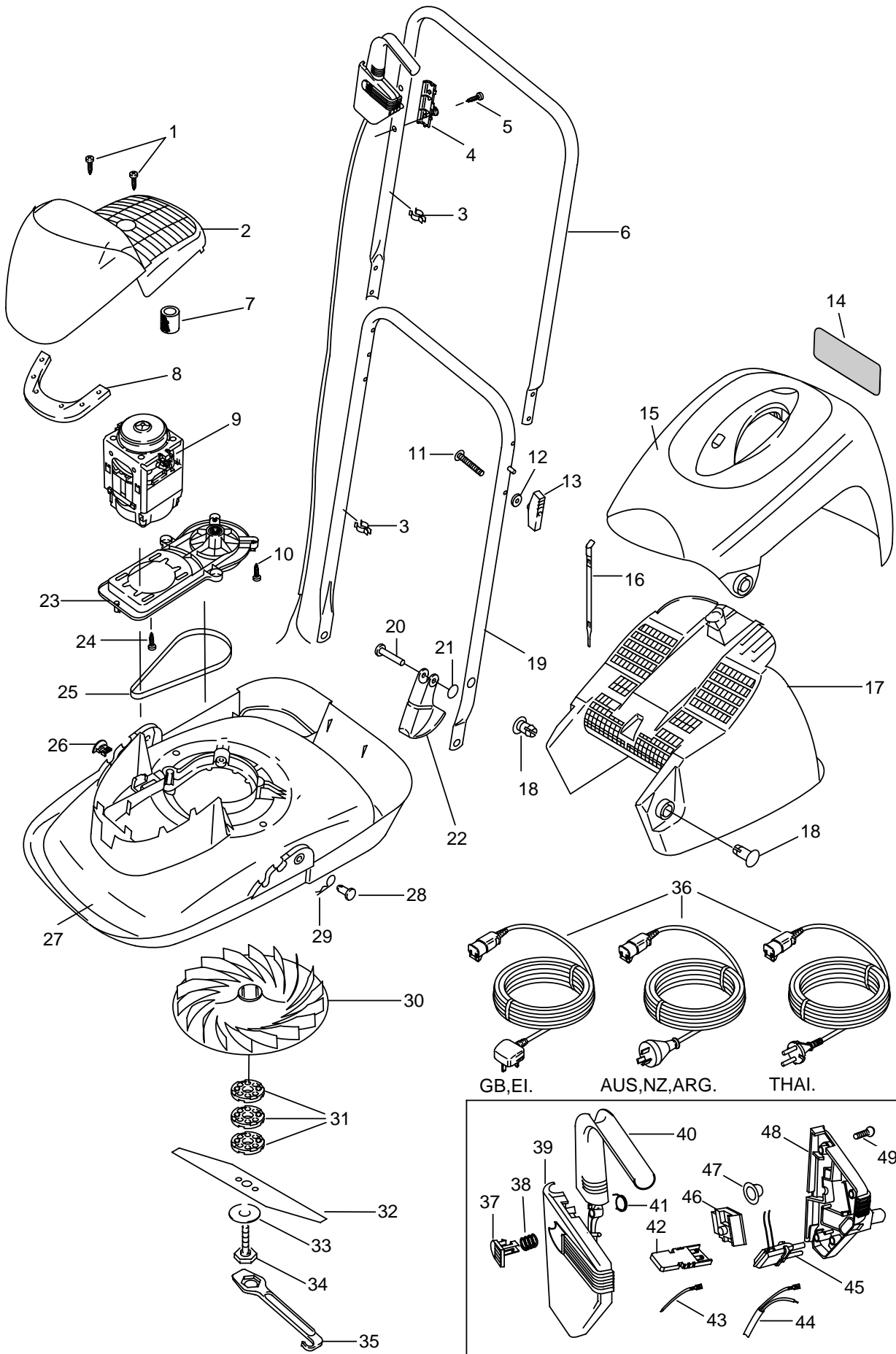


<b>MODEL</b>	<b>Micro Compact 300 plus</b>	<b>PRODUCT APPLICATION</b>			
		9633091-01	GB,EI.	9633091-86	A,B,D,E,F,I,NL,P,N,DK,S,SF.
<b>PRODUCT NO.</b>	<b>9633091</b>	9633091-15	CHILE,URUGUAY	9633091-96	ZA
		9633091-16	THAI.	9633091-99	AUS,NZ.



<b>MODEL</b>	<b>Micro Compact 300 plus</b>	<b>PRODUCT APPLICATION</b>			
		9633091-01	GB,EI.	9633091-86	A,B,D,E,F,I,NL,P,N,DK,S,SF.
		9633091-15	CHILE,URUGUAY	9633091-96	ZA
<b>PRODUCT NO.</b>	<b>9633091</b>	9633091-16	THAI.	9633091-99	AUS,NZ.

<b>1</b>	<b>Key</b>	<b>Part Number</b>	<b>Description</b>	<b>Qty</b>	
	01	5149117-00/3	SCREW	2	
	02	5106723-00/9	MOTOR COVER	1	
	03	5137750-00/5	CLIP CABLE	2	
	04	5118110-01/3	RETAINER	1	
	05	5146672-00/0	SCREW	2	
	06	5118082-00/6	HANDLE UPPER	1	
	07	5149593-00/5	FOAM SEAL	1	
	08	5127560-00/0	FILTER	1	
	09	5150044-00/5	MOTOR	1	
	10	5149117-00/3	SCREW	3	
	11	5149198-01/1	BOLT	2	
	12	5140266-00/7	WASHER	2	
	13	5137679-00/6	WING KNOB	2	
	14	5138436-00/0	WARNING LABEL	1	GB,EI,AUS,NZ,THAI,ZA.
		5138438-00/6	WARNING LABEL	1	A,B,D,E,F,I,NL,P,N,DK,S,SF,CHILE,URUGUAY
	15	5127555-01/8	GRASSBOX LID	1	
	16	5127580-00/8	GRASS BOX STRAP	1	
	17	5106724-00/7	GRASSBOX	1	
	18	5127556-00/8	PIN-LID FIX	2	
	19	5127590-00/7	HANDLE LOWER	1	
	20	5148506-03/2	CLEVIS PIN	1	
	21	5149344-00/3	WASHER,STARLOCK	1	
	22	5118097-00/4	LATCH - UPSTOP	1	
	23	5118226-01/7	BASEPLATE PULLEY ASSEMBLY	1	
	24	5148696-03/1	SCREW	4	
	25	5138435-00/2	BELT	1	
	26	5118081-00/8	RETAINER, CABLE	1	
	27	5106722-00/1	HOOD	1	
	28	5140092-03/1	PIVOT PIN	2	
	29	5140423-00/4	PIN RETAINING	2	
	30	5118095-01/6	IMPELLER	1	
	31	5138110-01/9	BLADE SPACER PEGGED	3	
	32	5127629-00/3	BLADE	1	
	33	5148259-00/4	PTFE WASHER	1	
	34	5137608-03/9	BLADE BOLT ASSY	1	
	35	5126682-00/3	SPANNER/SCRAPER	1	
	36	5127250-01/6	MAINS LEAD	1	GB,EI.
		5127536-01/8	MAINS LEAD	1	AUS,NZ.
		5127588-00/1	MAINS LEAD	1	THAI
		5127665-00/7	MAINS LEAD	1	CHILE,URUGUAY.
		5127617-02/4	MAINS LEAD	1	ZA.
	37	5127008-00/0	LOCK OFF	1	
	38	5148658-00/7	SPRING,LOCK OFF	1	
	39	5106728-01/6	SWITCHBOX UPPER	1	
	40	5106481-01/2	LEVER	1	
	41	5148657-00/9	SPRING,TORSION	1	
	42	5127255-01/5	THERMAL CUT-OUT	1	
	43	5148773-00/4	LEAD,INTERNAL	1	
	44	5148814-37/8	LEAD	1	GB,EI,AUS,NZ,THAI,ZA,CHILE,URUGUAY.
		5148814-38/6	LEAD	1	A,B,D,E,F,I,NL,P,N,DK,S,SF.
	45	5138384-00/2	PIN RETAINER	1	GB,EI,AUS,NZ,THAI,ZA,CHILE,URUGUAY.
		5148784-00/1	PIN RETAINER	1	A,B,D,E,F,I,NL,P,N,DK,S,SF.
	46	5137685-00/3	SWITCH	1	GB,EI,AUS,NZ,THAI,ZA,CHILE,URUGUAY.
		5137786-00/9	SWITCH	1	A,B,D,E,F,I,NL,P,N,DK,S,SF.
	47	5149024-00/1	CUT-OUT COVER	1	
	48	5106538-01/9	SWITCHBOX LOWER	1	GB,EI,AUS,NZ,THAI,ZA,CHILE,URUGUAY.
		5106540-01/5	SWITCHBOX LOWER	1	A,B,D,E,F,I,NL,P,N,DK,S,SF.
	49	5146672-00/0	SCREW	4	