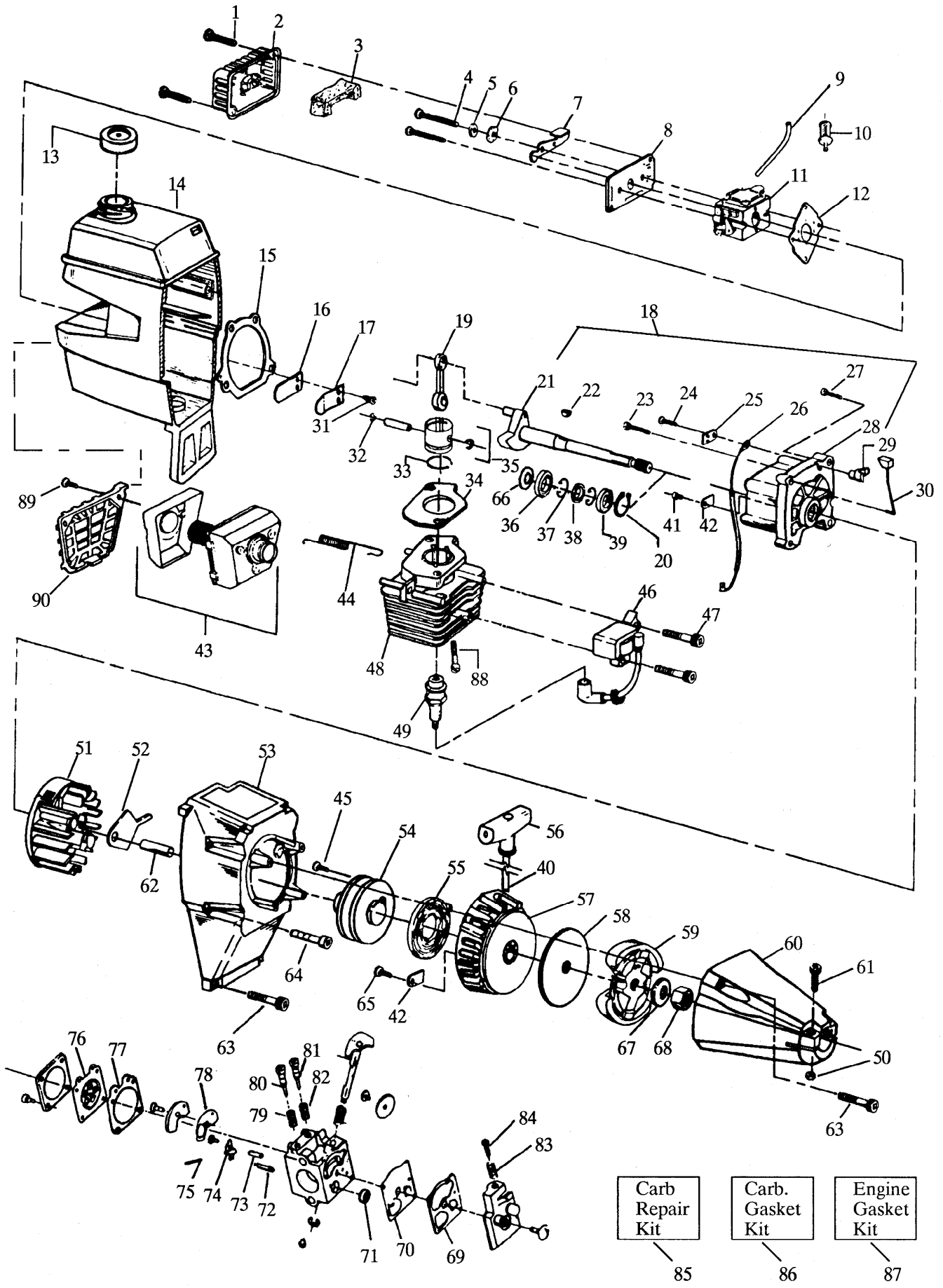




# MAXI-TRIM SUPER 9527034-05



Carb  
Repair  
Kit  
85

Carb.  
Gasket  
Kit  
86

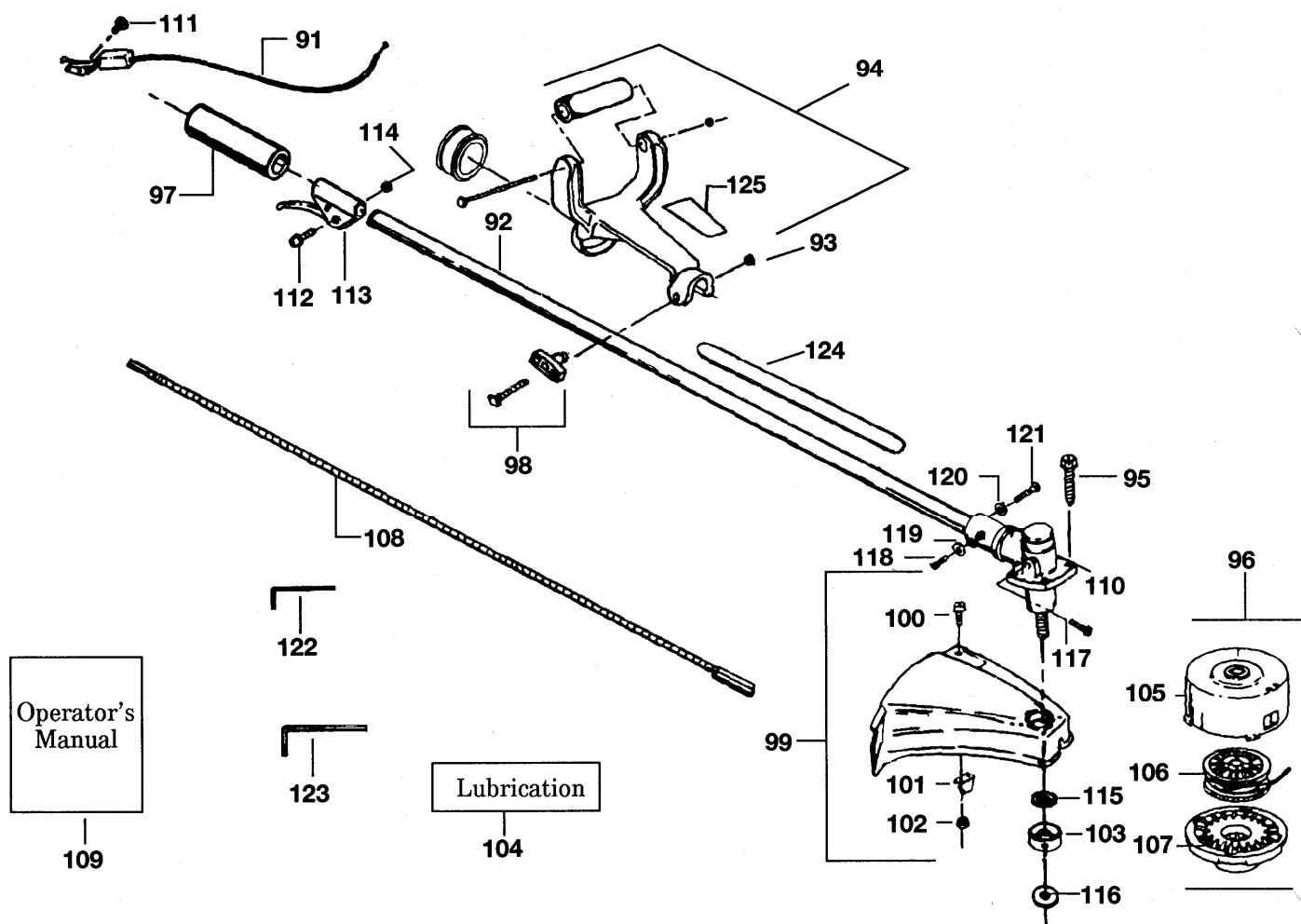
Engine  
Gasket  
Kit  
87



# MAXI-TRIM SUPER 9527034-05

| KEY No. | PART No      | DESCRIPTION          | QUANTITY | COMMENTS APPLICATION | KEY No. | PART No      | DESCRIPTION           | QUANTITY | COMMENTS APPLICATION   |
|---------|--------------|----------------------|----------|----------------------|---------|--------------|-----------------------|----------|------------------------|
| 1       | 5300157-73/1 | SCREW                | 2        |                      | 46      | 5300391-34/8 | MODULE                | 1        |                        |
| 2       | 5300275-29/3 | AIR FILTER COVER     | 1        |                      | 47      | 5300157-76/4 | SCREW                 | 2        |                        |
| 3       | 5300275-30/1 | AIR FILTER           | 1        |                      | 48      | 5300122-35/4 | CYLINDER              | 1        |                        |
| 4       | 5300157-66/5 | SCREW                | 2        |                      | 49      | 5300300-77/8 | SPARK PLUG            | 1        |                        |
| 5       | 5300275-28/5 | SPACER               | 1        |                      | 50      | 5300157-68/1 | NUT                   | 1        |                        |
| 6       | 5300152-54/2 | WAVE WASHER          | 1        |                      | 51      | 5300391-36/3 | FLYWHEEL              | 1        |                        |
| 7       | 5300275-26/9 | SHUTTER              | 1        |                      | 52      | 5300275-72/3 | COUNTERWEIGHT         | 1        |                        |
| 8       | 5300275-27/7 | PLATE                | 1        |                      | 53      | 5300275-17/8 | FAN HOUSING ASSY      | 1        |                        |
| 9       | 5300692-47/1 | LINE KIT             | 1        |                      | 54      | 5300692-91/9 | STARTER PULLEY KIT    | 1        | (INCL.45)              |
| 10      | 5300108-97/3 | FUEL PICKUP ASSY     | 1        |                      | 55      | 5300275-31/9 | STARTER SPRING        | 1        |                        |
| 11      | 5300352-59/7 | CARBURETOR           | 1        |                      | 56      | 5300275-69/9 | STARTER HANDLE        | 1        |                        |
| 12      | 5300191-56/5 | GASKET               | 1        | ▲                    | 57      | 5300109-61/7 | PULLEY HOUSING        | 1        |                        |
| 13      | 5300107-29/8 | FUEL CAP ASSY        | 1        |                      | 58      | 5300941-89/4 | WASHER                | 1        |                        |
| 14      | 5300290-15/1 | SHROUD               | 1        | (INCL.9.10.13)       | 59      | 5300692-54/7 | CLUTCH KIT            | 1        |                        |
| 15      | 5300191-54/0 | GASKET               | 1        | ▲                    | 60      | 5300109-64/1 | CLUTCH HOUSING        | 1        |                        |
| 16      | 5300275-93/9 | REED VALVE           | 1        |                      | 61      | 5300157-67/3 | SCREW                 | 1        |                        |
| 17      | 5300275-94/7 | REED STOP            | 1        |                      | 62      | 5300275-11/1 | SPACER                | 1        |                        |
| 18      | 5300140-15/8 | CRANKCASE/SHAFT ASSY | 1        | (INCL.20.21.28)      | 63      | 5300157-70/7 | SCREW                 | 4        |                        |
| 19      | 5300109-60/9 | CONNECTING ROD       | 1        | (INCL.BEARINGS)      | 64      | 5300157-69/9 | SCREW                 | 4        |                        |
| 20      | 5300157-89/7 | RETAINING RING       | 1        |                      | 65      | 5300154-96/9 | SCREW                 | 1        |                        |
| 21      | 5300109-34/4 | CRANKSHAFT           | 1        |                      | 66      | 5300157-88/9 | SPACER                | 1        |                        |
| 22      | 5300151-26/2 | KEY                  | 1        |                      | 67      | 5300157-96/2 | WASHER                | 1        |                        |
| 23      | 5300157-72/3 | SCREW                | 1        |                      | 68      | 5300017-33/1 | NUT                   | 1        |                        |
| 24      | 5300157-80/6 | SCREW                | 1        |                      | 69      | 5300351-64/9 | GASKET                | 1        | ● ■                    |
| 25      | 5300275-46/7 | INSULATOR            | 1        |                      | 70      | 5300351-66/4 | DIAPHRAGM             | 1        | ● ■                    |
| 26      | 5300275-47/5 | WIRE                 | 1        |                      | 71      | 5300351-78/9 | SCREEN                | 1        | ●                      |
| 27      | 5300157-71/5 | SCREW                | 1        |                      | 72      | 5300351-06/0 | INLET NEEDLE VALVE    | 1        | ●                      |
| 28      | 5300140-16/6 | CRANKCASE            | 1        | (INCL.36-39)         | 73      | 5300351-88/8 | METERING LEVER SPRING | 1        | ●                      |
| 29      | 5300275-45/9 | RAMP                 | 1        |                      | 74      | 5300350-31/0 | LEVER METERING        | 1        | ●                      |
| 30      | 5300275-43/4 | SPRING               | 1        |                      | 75      | 5300350-28/6 | PIN METERING          | 1        | ●                      |
| 31      | 5300152-41/9 | SCREW                | 1        |                      | 76      | 5300350-14/6 | DIAPHRAGM             | 1        | ● ■                    |
| 32      | 5300151-62/7 | PIN TETAINER         | 1        |                      | 77      | 5300351-51/6 | GASKET METERING       | 1        | ● ■                    |
| 33      | 5300258-75/2 | RING PISTON          | 1        |                      | 78      | 5300351-47/4 | GASKET                | 1        | ● ■                    |
| 34      | 5300191-61/5 | GASKET               | 1        |                      | 79      | 5300350-36/9 | SPRING                | 1        |                        |
| 35      | 5300692-75/2 | PISTON KIT           | 1        | ▲ (INCL.32.33 & PIN) | 80      | 5300351-42/5 | HIGH SPEED NEEDLE     | 1        |                        |
| 36      | 5300321-03/0 | BEARING              | 1        |                      | 81      | 5300351-41/7 | IDLE NEEDLE           | 1        |                        |
| 37      | 5300157-87/1 | RETAINING RING       | 1        |                      | 82      | 5300350-23/7 | SPRING                | 1        |                        |
| 38      | 5300191-58/1 | SEAL                 | 1        |                      | 83      | 5300352-08/4 | SPRING                | 1        |                        |
| 39      | 5300321-02/2 | BEARING              | 1        |                      | 84      | 5300352-03/5 | SCREW                 | 1        |                        |
| 40      | 5300692-32/3 | ROPE KIT             | 1        |                      | 85      | 5300352-60/5 | CARB. KIT             | 1        | (● INDICATES CONTENTS) |
| 41      | 5300157-77/2 | SCREW                | 1        |                      | 86      | 5300351-85/4 | GASKET KIT            | 1        | (■ INDICATES CONTENTS) |
| 42      | 5300275-23/6 | RETAINER             | 1        |                      | 87      | 5300692-76/0 | GASKET KIT            | 1        | (▲ INDICATES CONTENTS) |
| 43      | 5300692-57/0 | MUFFLER KIT          | 1        |                      | 88      | 5300152-39/3 | SCREW                 | 1        |                        |
| 44      | 5300249-03/3 | SPRING               | 1        |                      | 89      | 5300157-17/8 | SCREW                 | 2        |                        |
| 45      | 5300158-23/4 | SCREW                | 1        |                      | 90      | 5300277-81/0 | GUARD                 | 1        |                        |

N.B. WHERE A FAILURE OCCURS WITHIN WARRANTY, WHICH WOULD INVOLVE REPLACING ANY MAJOR ENGINE PARTS, YOU MUST FIRST CONTACT: FLYMO TECHNICAL SERVICE DEPARTMENT TO GAIN SPECIAL AUTHORIZATION.




**MAXI-TRIM SUPER 9527034-05**

| KEY No. | PART No                 | DESCRIPTION            | QUANTITY | COMMENTS<br>APPLICATION         |
|---------|-------------------------|------------------------|----------|---------------------------------|
| 91      | 5300275-49/1            | THROTTLE CABLE         | 1        |                                 |
| 92      | 5300946-42/2            | DRIVESHAFT HSG         | 1        |                                 |
| 93      | 5300151-97/3            | NUT                    | 1        |                                 |
| 94      | 5300109-58/3            | HANDLE                 | 1        |                                 |
| 95      | 5300157-90/5            | SCREW                  | 4        |                                 |
| 96      | <del>5300945-99/4</del> | HEAD ASSY              | 1        | (INCL.105.106.107) 9527016-08/4 |
| 97      | 5300275-95/4            | GRIP                   | 1        |                                 |
| 98      | 5300692-52/1            | T HANDLE KIT           | 1        |                                 |
| 99      | 5300692-56/2            | SHIELD ASSY            | 1        | (INCL.100.101.102)              |
| 100     | 5300153-37/5            | SCREW                  | 2        |                                 |
| 101     | 5300945-70/5            | LINE LIMITER           | 1        |                                 |
| 102     | 5300152-17/9            | NUT                    | 1        |                                 |
| 103     | 5300946-39/8            | DUST CUP               | 1        |                                 |
| 104     | 5300301-02/4            | GREASE ½ FL.OZ         | 1        |                                 |
| 105     | 5300945-57/2            | HUB ASSY               | 1        |                                 |
| 106     | 5300945-39/0            | GREY SPOOL             | 1        |                                 |
| 107     | 5300944-94/8            | COVER                  | 1        |                                 |
| 108     | 5300945-85/3            | DRIVESHAFT             | 1        |                                 |
| 109     | 5300673-86/9            | OPERATORS MANUAL       | 1        |                                 |
| 110     | 5300945-68/9            | GEAR BOX ASSY          | 1        |                                 |
| 111     | 5300157-75/6            | SCREW                  | 1        |                                 |
| 112     | 5300157-74/9            | SCREW                  | 1        |                                 |
| 113     | 5300109-59/1            | THROTTLE LEVER ASSY    | 1        | (INCL.112.114)                  |
| 114     | 5300157-68/1            | NUT                    | 1        |                                 |
| 115     | 5300946-40/6            | SEAL                   | 1        |                                 |
| 116     | 5300945-71/3            | WASHER                 | 1        |                                 |
| 117     | 5300946-16/6            | SCREW                  | 1        |                                 |
| 118     | 5300946-12/5            | SCREW                  | 1        |                                 |
| 119     | 5300153-28/4            | LOCKWASHER             | 1        |                                 |
| 120     | 5300016-77/0            | LOCKWASHER             | 1        |                                 |
| 121     | 5300017-11/7            | SCREW                  | 1        |                                 |
| 122     | 5300311-11/4            | HEX WRENCH             | 1        |                                 |
| 123     | 5300310-98/3            | HEX WRENCH             | 1        |                                 |
| 124     | 5300274-30/4            | DECAL SHAFT WARNING    | 1        |                                 |
| 125     | 5300291-85/2            | DECAL ANTI VIBE HANDLE | 1        |                                 |