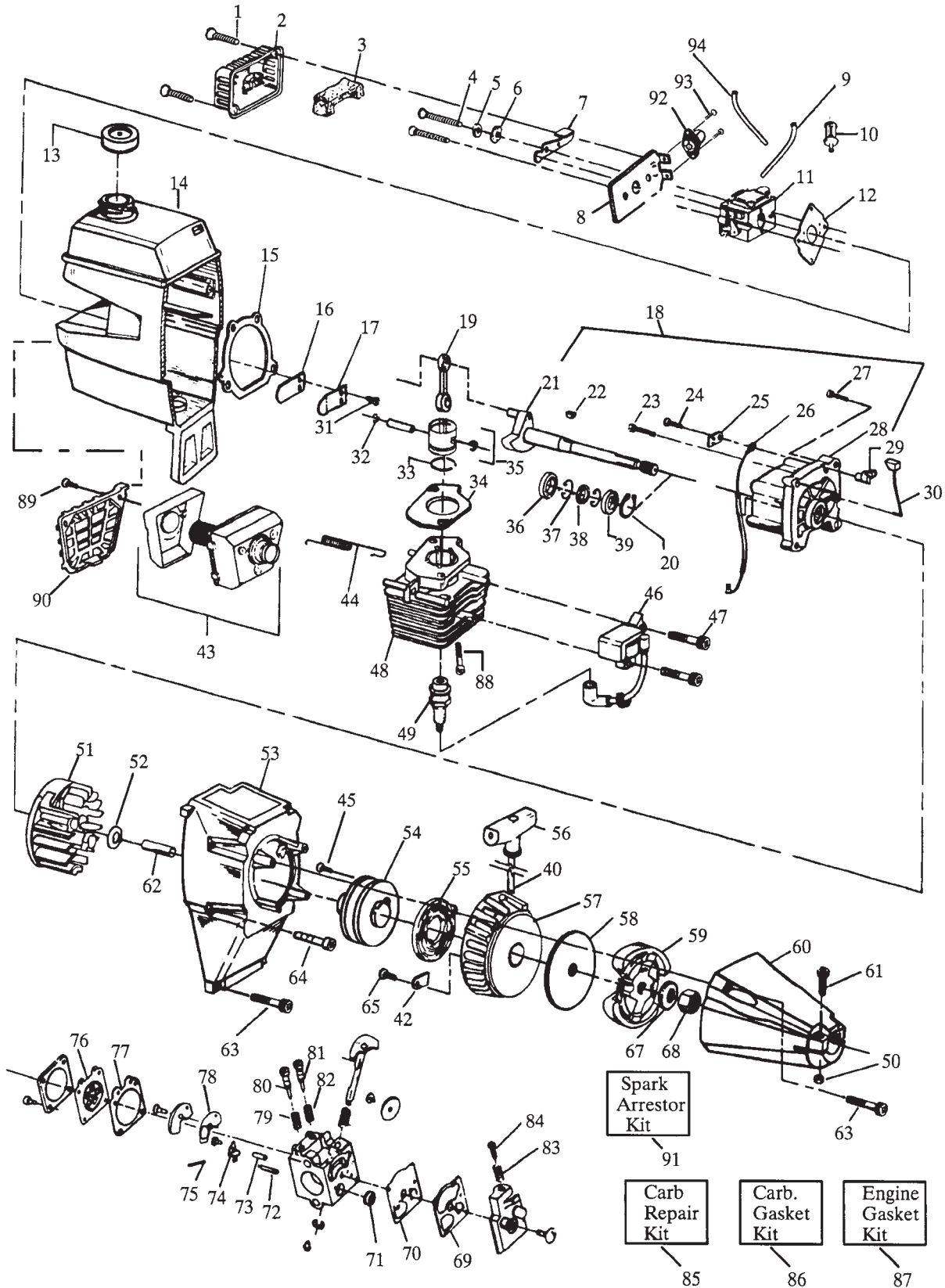


MODEL	Maxi trim super Type II & Type III
PRODUCT NO.	9527152-80



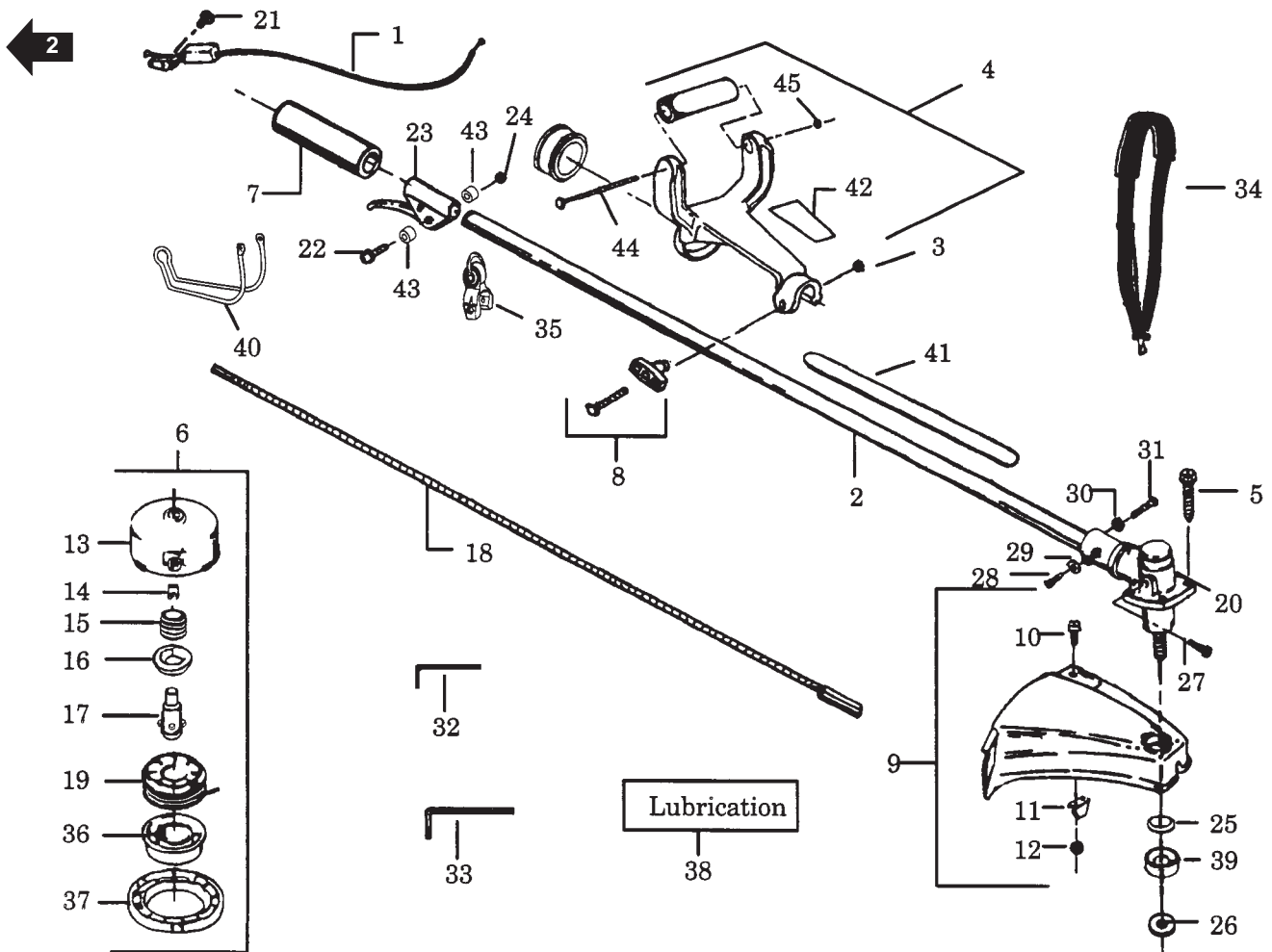
MODEL	Maxi trim super Type II & Type III
PRODUCT NO.	9527152-80

1	KEY PART NUMBER	DESCRIPTION	QTY	KEY PART NUMBER	DESCRIPTION	QTY	3		
	01	5300157-73/1	SCREW	2	47	5300151-28/8	SCREW	2	
	02	5300275-29/3	AIR FILTER COVER	1	48	5300122-35/4	CYLINDER	1	
	03	5300275-30/1	AIR FILTER	1	49	5300300-58/8	SPARK PLUG RCJ-8	1	
	04	5300158-49/9	SCREW	2	50	5300157-68/1	LOCKNUT	1	
	05	5300158-52/3	SPACER	1	51	5300391-36/3	FLYWHEEL ASSY	1	
	06	5300152-54/2	WAVE WASHER	1	52	5300160-30/5	WASHER	1	
	07	5300381-03/4	CHOKE SHUTTER	1	53	5300275-17/8	FAN HOUSING	1	
	08	5300275-27/7	AIR FILTER PLATE	1	Type II	54	5300692-91/9	STARTER PULLEY KIT	1
		5300379-30/1	AIR FILTER PLATE	1	Type III	55	5300293-95/7	STARTER SPRING	1
	09	5300692-47/1	FUEL LINE	1	56	5300275-69/9	STARTER HANDLE	1	
	10	5300143-62/4	FUEL FILTER	1	57	5300109-61/7	PULLEY HOUSING ASSY	1	
	11	5300352-59/7	CARBURETOR	1	Type II	58	5300941-89/4	CLUTCH WASHER	1
		5300353-49/6	CARBURETOR	1	Type III	59	5300692-54/7	CLUTCH ASSY KIT	1
	12	5300191-56/5	CARBURETOR GASKET	1	60	5300109-64/1	CLUTCH HOUSING	1	
	13	5300143-47/5	FUEL CAP ASSY	1	61	5300157-67/3	SCREW	1	
	14	5300290-15/1	SHROUD & TANK ASSY	1	Type II	62	5300275-11/1	SPACER	1
		5300471-04/1	SHROUD & TANK ASSY	1	Type III	63	5300157-70/7	SCREW	4
	15	5300191-54/0	CRANKCASE GASKET	1	64	5300157-69/9	SCREW	4	
	16	5300275-93/9	REED VALVE	1	65	5300154-96/9	SCREW	1	
	17	5300275-94/7	REED STOP	1	67	5300157-96/2	WASHER	1	
	18	5300140-15/8	CRANKCASE/SHAFT	1	68	5300017-33/1	NUT	1	
	19	5300109-60/9	CONNECTING ROD ASSY	1	69	5300351-64/9	PUMP GASKET	1	
	20	5300157-89/7	RETAINING RING	1	70	5300351-66/4	PUMP DIAPHRAGM	1	
	21	5300109-34/4	CRANKSHAFT ASSY	1	71	5300351-78/9	INLET SCREEN	1	
	22	5300151-26/2	FLYWHEEL KEY	1	72	5300351-06/0	INLET NEEDLE VALVE	1	
	23	5300157-72/3	SCREW	1	73	5300351-88/8	METERING LEVER SPRING	1	
	24	5300157-80/6	SCREW	1	74	5300350-31/0	LEVER METERING	1	
	25	5300275-46/7	SWITCH INSULATOR	1	75	5300350-28/6	PIN METERING	1	
	26	5300275-47/5	LEAD WIRE	1	76	5300350-14/6	METERING DIAPHRAGM	1	
	27	5300157-71/5	SCREW	1	77	5300351-51/6	DIAPHRAGM GASKET	1	
	28	5300140-16/6	CRANKCASE ASSY	1	78	5300351-47/4	CIRCUIT PLATE GASKET	2	
	29	5300275-45/9	SWITCH RAMP	1	79	5300350-36/9	HIGH SPEED NEEDLE SPRING	1	
	30	5300275-43/4	SWITCH SPRING ASSY	1	80	5300351-42/5	HIGH SPEED NEEDLE	1	
	31	5300160-64/4	SCREW	1	81	5300351-41/7	IDLE NEEDLE	1	
	32	5300151-62/7	PISTON PIN RETAINER	1	82	5300350-23/7	IDLE NEEDLE SPRING	1	
	33	5300258-75/2	RING PISTON	1	83	5300352-08/4	IDLE SPEED SPRING	1	
	34	5300191-78/9	GASKET CYLINDER	1	84	5300352-03/5	IDLE SPEED SCREW	1	
	35	5300692-75/2	PISTON KIT	1	85	5300352-60/5	CARB KWIK REPAIR KIT	1	
	36	5300321-03/0	INNER BEARING	1	86	5300351-85/4	CARB. GASKET/DIA KIT	1	
	37	5300157-87/1	RETAINING RING	2	87	5300692-76/0	ENGINE GASKET KIT	1	
	38	5300191-58/1	CRANKSHAFT SEAL	1	88	5300152-39/3	SCREW	1	
	39	5300321-02/2	BEARING OUTER	1	89	5300157-17/8	SCREW	2	
	40	5300692-32/3	ROPE KIT	1	90	5300277-81/0	MUFFLER GUARD	1	
	42	5300275-23/6	RETAINER	1	91	9527016-12/6	SPARK ARRESTOR KIT	1	
	43	5300692-57/0	MUFFLER KIT	1	92	5300379-72/3	BULB ASSEMBLY	1	
	44	5300364-09/7	SPRING	1	93	5300160-91/7	SCREW	1	
	45	5300160-80/0	SCREW	1	94	5300692-38/0	RETURN LINE	1	
	46	5300391-34/8	IGNITION MODULE	1				Type III	

WHERE NO APPLICATION DETAILS ARE SHOWN, PART APPLIES TO ALL COUNTRIES

A Austria; AUS Australia; B Belgium; CND Canada; CH Switzerland; D Germany; DK Denmark; E Spain; EI Eire; F France; GB Great Britain; I Italy; N Norway; NL Netherlands; NZ New Zealand; O/S Overseas; P Portugal; S Sweden; SF Finland; USA America; ZA South Africa

MODEL	Maxi Trim Super Type II & Type III
PRODUCT NO.	9527152-80



KEY PART NUMBER	DESCRIPTION	QTY	KEY PART NUMBER	DESCRIPTION	QTY	
01	5300275-49/1 THROTTLE CABLE	1	Type II	23	5300109-59/1 THROTTLE LEVER ASSY	1
	5300374-97/1 THROTTLE CABLE	1	Type III	24	5300157-68/1 LOCKNUT	1
02	5300946-42/2 DRIVESHAFT HSG	1	25	5300946-40/6 SEAL	1	
03	5300151-97/3 LOCKNUT	1	26	5300945-71/3 WASHER	1	
04	5300109-58/3 HANDLE	1	27	5300946-16/6 SCREW	1	
05	5300922-43/1 SCREW	4	28	5300946-12/5 SCREW	1	
06	9527016-43/1 CUTTING HEAD ASSY	1	29	5300153-28/4 LOCKWASHER	1	
07	5300294-45/0 GRIP	1	30	5300016-42/4 LOCKWASHER	1	
08	5300692-52/1 T HANDLE KIT	1	31	5300017-11/7 SCREW	1	
09	5300692-56/2 SHIELD KIT ASSY	1	32	5300311-11/4 HEX WRENCH 5/32	1	
10	5300150-37/1 SCREW	2	33	5300310-98/3 HEX WRENCH 3/16	1	
11	5300945-70/5 LINE LIMITER	1	34	5300920-85/6 SHOULDER STRAP	1	
12	5342359-01/4 LOCKNUT	1	35	5300946-86/9 CLAMP	1	
13	5300938-96/5 HUB W/LINE SAVER	1	36	5304011-83/5 BUTTON RELEASE	1	
14	5300938-98/1 LINE SAVER	1	37	5300921-33/4 COVER	1	
15	5303400-07/0 SPRING	1	38	5300301-39/6 SHAFT LUBRICATION	1	
16	5300920-68/2 SPRING ADAPTOR	1	39	5300946-39/8 DUST CUP	1	
17	5300951-21/6 DRIVE GEAR	1	40	5300947-83/4 THROTTLE GUARD	1	
18	5300945-85/3 DRIVESHAFT	1	41	5300291-59/7 SHAFT WARNING LABEL	1	
19	9527015-89/6 SPOOL & LINE	1	42	5300291-85/2 DECAL ANTI VIBE HANDLE	1	
20	5300945-68/9 GEAR BOX ASSY	1	43	5300158-27/5 SPACER	1	
21	5300157-75/6 SCREW	1	44	5300157-84/8 SCREW	1	
22	5300152-45/0 SCREW	1	45	5300157-85/5 LOCKNUT	1	