

Engine Gasket Kit

Spark Arrestor Kit

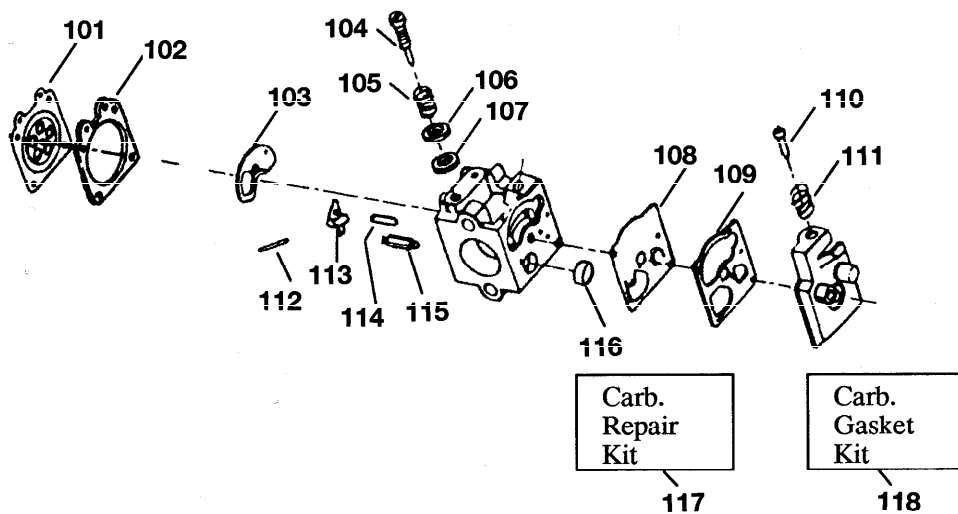
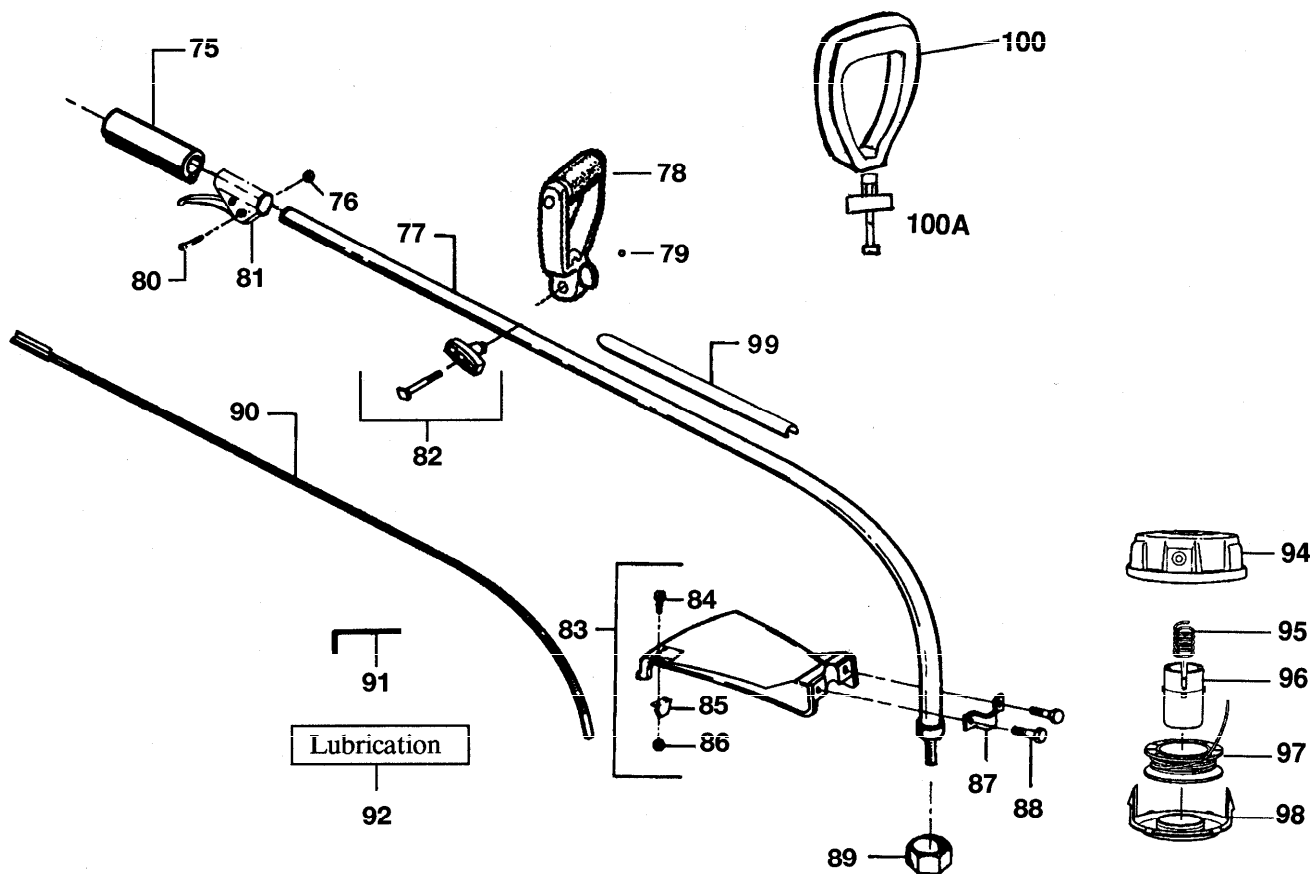
73

74


MAXI-TRIM 430 9527151-90

KEY PART No.	DESCRIPTION	QUANTITY	COMMENTS APPLICATION	KEY PART No.	DESCRIPTION	QUANTITY	COMMENTS APPLICATION
1	5300157-73/1 SCREW	3		37	5300692-75/2 PISTON KIT	1	(INCL.34.35 & PIN)
2	5300275-29/3 AIR FILTER COVER	1		38	5300157-88/9 SPACER	1	
3	5300275-30/1 AIR FILTER	1		39	5300321-03/0 BEARING	1	
4	5300158-49/9 SCREW	2		40	5300157-87/1 RETAINING RING	1	
5	5300275-28/5 SPACER	1		41	5300191-58/1 SEAL	1	
6	5300152-54/2 WAVE WASHER	1		42	5300321-02/2 BEARING	1	
7	5300275-26/9 SHUTTER	1		43	5300157-89/7 RETAINING RING	1	
8	5300275-27/7 PLATE	1		44	5300157-17/8 SCREW	2	
9	5300692-47/1 LINE KIT	1		45	5300277-81/0 GUARD	1	
10	5300108-97/3 FUEL PICKUP ASSEMBLY	1		46	5300692-57/0 MUFFLER KIT	1	
11	5300352-62/1 CARBURETTOR	1		47	5300249-03/3 SPRING	1	
12	5300191-56/5 GASKET	1 ▲		48	5300122-35/4 CYLINDER	1	
13	5300107-29/8 FUEL CAP ASSEMBLY	1		49	5300300-58/8 SPARK PLUG RCJ-8	1	
14	5300157-75/6 SCREW	1		50	5300152-39/3 SCREW	2	
15	5300279-55/0 THROTTLE CABLE	1		51	5300391-34/8 MODULE	1	
16	5300290-15/1 SHROUD	1		52	5300151-28/8 SCREW	2	
17	5300191-54/0 GASKET	1 ▲		53	5300391-36/3 FLYWHEEL	1	
18	5300275-93/9 REED VALVE	1		54	5300158-11/9 WASHER	1	
19	5300275-94/7 REED STOP	1		55	5300140-47/1 FAN HOUSING	1	
20	5300140-05/9 CONNECTING ROD	1		56	5300692-91/9 STARTER PULLEY KIT	1	(INCL.62)
21	5300109-45/0 CRANKSHAFT	1		57	5300293-95/7 STARTER SPRING	1	
22	5300151-26/2 KEY	1		58	5300275-69/9 STARTER HANDLE	1	
23	5300157-72/3 SCREW	2		59	5300692-32/3 ROPE KIT	1	
24	5300157-80/6 SCREW	1		60	5300158-28/3 WASHER	1	
25	5300275-46/7 INSULATOR	1		61	5300279-53/5 DRIVE COUPLING	1	
26	5300275-47/5 WIRE	1		62	5300158-23/4 SCREW	1	
27	5300157-71/5 SCREW	1		63	5300275-25/1 SPACER	1	
28	5300140-16/6 CRANKCASE	1 (INCL.39.42)		66	5300157-67/3 SCREW	2	
29	5300275-45/9 RAMP	1		68	5300157-70/7 SCREW	4	
30	5300275-43/4 SWITCH SPRING ASSEMBLY	1		69	5300157-69/9 SCREW	2	
32	5300140-04/2 CRANKCASE SHAFT	1		70	5300154-96/9 SCREW	1	
33	5300152-41/9 SCREW	1		71	5300275-23/6 RETAINER	1	
34	5300151-62/7 PIN RETAINER	1		72	5300157-68/1 NUT	2	
35	5300258-75/2 RING PISTON	1		73	5300692-76/0 GASKET KIT	1	(▲ IND.CONTENTS)
36	5300191-61/5 GASKET	1 ▲		74	9527016-12/6 SPARK ARRESTOR KIT	1	

N.B. WHERE A FAILURE OCCURS WITHIN WARRANTY, WHICH WOULD INVOLVE REPLACING ANY MAJOR ENGINE PARTS, YOU MUST FIRST CONTACT: FLYMO TECHNICAL SERVICE DEPARTMENT TO GAIN SPECIAL AUTHORIZATION.





MAXI-TRIM 430 9527151-90

KEY No	PART No	DESCRIPTION	QUANTITY	COMMENTS APPLICATION	KEY No	PART No	DESCRIPTION	QUANTITY	COMMENTS APPLICATION
75	5300275-95/4	GRIP	1		110	5300352-03/5	SCREW	1	
76	5300157-68/1	NUT	1		111	5300352-08/4	SPRING	1	
77	5300946-88/5	DRIVESHAFT HOUSING	1		112	5300350-28/6	PIN METERING	1	■
78	5300109-57/5	HANDLE	1		113	5300350-31/0	LEVER METERING	1	■
79	5300156-10/5	NUT	1		114	5300351-88/8	METERING LEVER SPRING	1	■
80	5300157-74/9	SCREW	1		115	5300351-06.0	INLET NEEDLE VALVE	1	■
81	5300109-59/1	THROTTLE LEVER ASSEMBLY	1		116	5300351-78/9	SCREEN	1	■
82	5300692-52/1	T HANDLE KIT	1		117	5300352-64/7	CARB KWIK REPAIR KIT	1	(■ IND.CONTENTS)
83	5300692-49/7	SHIELD KIT ASSEMBLY	1	(INCL. 84.85.86.88)	118	5300352-19/1	KIT GASKET DIAPHRAGM	1	(● IND.CONTENTS)
84	5300153-37/5	SCREW	2						
85	5300945-70/5	LINE LIMITER	1						
86	5300156-53/5	LOCK NUT	2						
87	5300936-53/0	BRACKET	1						
88	5300922-43/1	SCREW	2						
89	5300945-43/2	DUST CAP	1						
90	5300946-71/1	DRIVESHAFT	1						
91	5300311-11/4	HEX WRENCH	1						
92	5300301-02/4	GREASE 1/2 FL OZ	1						
94	5300948-78/2	HUB ASSEMBLY	1						
95	5300948-30/3	SPRING	1						
96	5300948-27/9	RELEASE BUTTON	1						
97	9527155-27/0	SPOOL AND LINE	1						
98	5300948-28/7	COVER	1						
99	5300291-59/7	LABEL	1						
100	5300142-22/0	HANDLE ASSEMBLY	1						
100a	5300947-42/0	CLAMP	1						
101	5300350-14/6	DIAPHRAGM	1	■ ●					
102	5300351-51/6	GASKET METERING	1	■ ●					
103	5300352-11/8	GASKET	1	■ ●					
104	5300352-12/6	NEEDLE	1						
105	5300352-14/2	SPRING	1						
106	5300352-17/5	WASHER	1						
107	5300352-18/3	"O" RING MIXTURE	1	■ ●					
108	5300351-66/4	DIAPHRAGM	1						
109	5300351-64/9	GASKET	1						

A Osterreich, AUS Australia, B Belgique/Belgie, CND Canada, CH Schweiz/Suisse, D Deutschland, DK Danmark, E Espania, EI Eire, F France, GB Great Britain, I Italia, N Norge, NL Nederland, NZ New Zealand, O/S Overseas, P Portugal, S Sverige, SF Suomi, USA U.S.A., ZA South Africa

WHERE NO APPLICATION DETAILS ARE SHOWN, PART APPLIES TO ALL COUNTRIES

PRODUCT VARIANT
9527151-90 GB