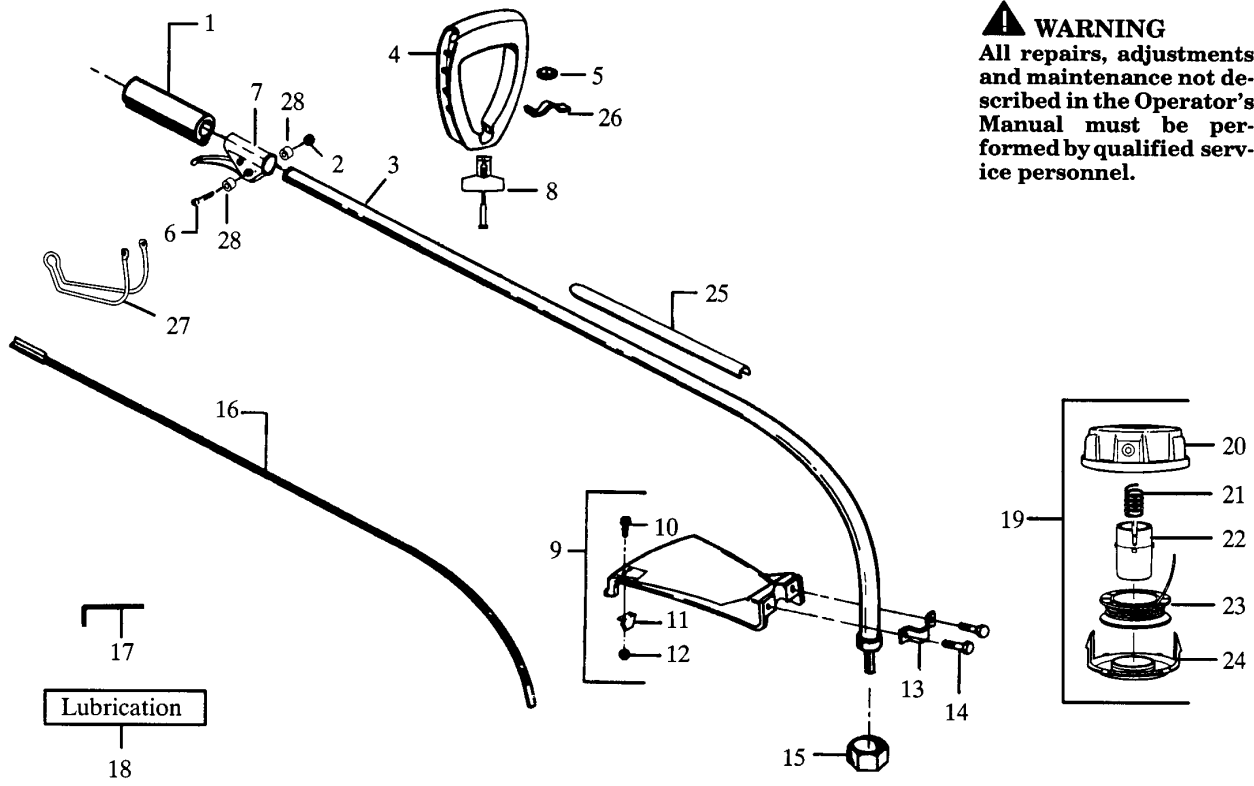


MODEL	Maxi trim 430 Type II & Type III
PRODUCT NO.	9527152-79



⚠ WARNING
 All repairs, adjustments and maintenance not described in the Operator's Manual must be performed by qualified service personnel.

KEY PART NUMBER	DESCRIPTION	QTY	KEYPART NUMBER	DESCRIPTION	QTY		
01	5300275-95/4	GRIP	1	15	5300945-43/2	DUST CAP	1
02	5300157-68/1	LOCKNUT	1	16	5300946-71/1	DRIVESHAFT	1
03	5300946-88/5	DRIVESHAFT HSG.	1	17	5300311-11/4	HEX WRENCH 5/32	1
04	5300142-22/0	HANDLE ASSY	1	18	9520301-39/2	SHAFT LUBRICATION	1
05	5300156-10/5	NUT	1	19	9527155-26/2	CUTTING HEAD ASSY	1
06	5300152-45/0	SCREW	1	20	5300948-78/2	HUB ASSY	1
07	5300109-59/1	THROTTLE LEVER ASSY	1	21	5300948-30/3	SPRING	1
08	5300692-52/1	T HANDLE KIT	1	22	5300948-27/9	RELEASE BUTTON	1
09	5300692-49/7	SHIELD KIT ASSY	1	23	5195197-00/8	SPOOL & LINE	1
10	5300153-37/5	SCREW	1	24	5300948-28/7	COVER	1
11	5300945-70/5	LINE LIMITER	1	25	5300291-59/7	SHAFT WARNING LABEL	1
12	5300156-53/5	LOCKNUT	1	26	5300947-42/0	CLAMP	1
13	5300936-53/0	SHIELD BRACKET	1	27	5300947-83/4	THROTTLE GUARD	1
14	5300922-43/1	SCREW	2	28	5300158-27/5	SPACER	2

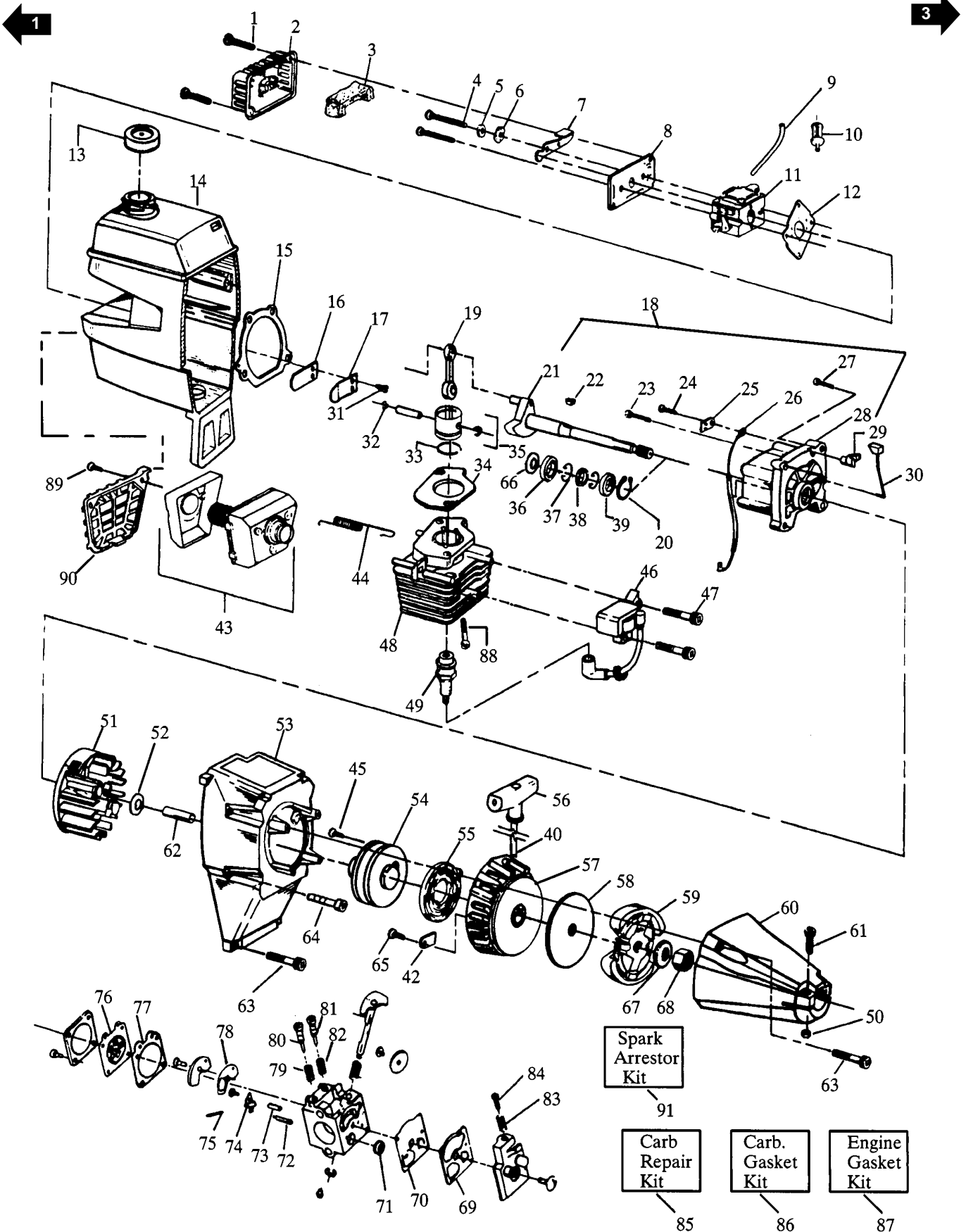
Flymo

MODEL

Maxi trim 430 Type II

PRODUCT NO.

9527152-79



MODEL	Maxi trim 430 Type II
PRODUCT NO.	9527152-79

KEY PART NUMBER	DESCRIPTION	QTY	KEY PART NUMBER	DESCRIPTION	QTY	
01	5300157-73/1	2	62	5300275-11/1	SPACER	1
02	5300275-29/3	1	63	5300157-70/7	SCREW	1
03	5300275-30/1	1	64	5300157-69/9	SCREW	1
04	5300158-49/9	2	65	5300154-96/9	SCREW	1
05	5300158-52/3	1	66	5300157-88/9	SPACER	1
06	5300152-54/2	1	67	5300157-96/2	WASHER	1
07	5300275-26/9	1	68	5300017-33/1	NUT	1
08	5300275-27/7	1	69	5300351-64/9	PUMP GASKET	1
09	5300692-47/1	1	70	5300351-66/4	PUMP DIAPHRAGM	1
10	5300143-62/4	1	71	5300351-78/9	INLET SCREEN	1
11	5300352-59/7	1	72	5300351-06/0	INLET NEEDLE VALVE	1
12	5300191-56/5	1	73	5300351-88/8	METERING LEVER SPRING	1
13	5300143-47/5	1	74	5300350-31/0	LEVER METERING	1
14	5300290-15/1	1	75	5300350-28/6	PIN METERING	1
15	5300191-54/0	1	76	5300350-14/6	METERING DIAPHRAGM	1
16	5300275-93/9	1	77	5300351-51/6	METERING DIAPHRAGM GASKET	1
17	5300275-94/7	1	78	5300351-47/4	CIRCUIT PLATE GASKET	2
18	5300140-15/8	1	79	5300350-36/9	HIGH SPEED NEEDLE SPRING	1
19	5300109-60/9	1	80	5300351-42/5	HIGH SPEED NEEDLE	1
20	5300157-89/7	1	81	5300351-41/7	IDLE NEEDLE	1
21	5300109-34/4	1	82	5300350-23/7	IDLE NEEDLE SPRING	1
22	5300151-26/2	1	83	5300352-08/4	IDLE SPEED SPRING	1
23	5300157-72/3	1	84	5300352-03/5	IDLE SPEED SCREW	1
24	5300157-80/6	1	85	5300352-60/5	CARB KWIK REPAIR KIT	1
25	5300275-46/7	1	86	5300351-85/4	CARB. GASKET/DIAPHRAGM KIT	1
26	5300275-47/5	1	87	5300692-76/0	ENGINE GASKET KIT	1
27	5300157-71/5	1	88	5300152-39/3	SCREW	1
28	5300140-16/6	1	89	5300157-17/8	SCREW	1
29	5300275-45/9	1	90	5300277-81/0	MUFFLER GUARD	1
30	5300275-43/4	1	91	9527016-12/6	SPARK ARRESTOR KIT	1
31	5300152-41/9	1				
32	5300151-62/7	1				
33	5300258-75/2	1				
34	5300191-78/9	1				
35	5300692-75/2	1				
36	5300321-03/0	1				
37	5300157-87/1	2				
38	5300191-58/1	1				
39	5300321-02/2	1				
40	5300692-32/3	1				
42	5300275-23/6	1				
43	5300692-57/0	1				
44	5300364-09/7	1				
45	5300158-23/4	1				
46	5300391-34/8	1				
47	5300151-28/8	2				
48	5300122-35/4	1				
49	5300300-58/8	1				
50	5300157-68/1	1				
51	5300391-36/3	1				
52	5303479-87/6	1				
53	5300275-17/8	1				
54	5300692-91/9	1				
55	5300293-95/7	1				
56	5300275-69/9	1				
57	5300109-61/7	1				
58	5300941-89/4	1				
59	5300692-54/7	1				
60	5300109-64/1	1				
61	5300157-67/3	1				

WHERE NO APPLICATION DETAILS ARE SHOWN, PART APPLIES TO ALL COUNTRIES

A Austria; AUS Australia; B Belgium; CND Canada; CH Switzerland; D Germany; DK Denmark; E Spain; EI Eire; F France; GB Great Britain; I Italy; N Norway; NL Netherlands; NZ New Zealand; O/S Overseas; P Portugal; S Sweden; SF Finland; USA America; ZA South Africa