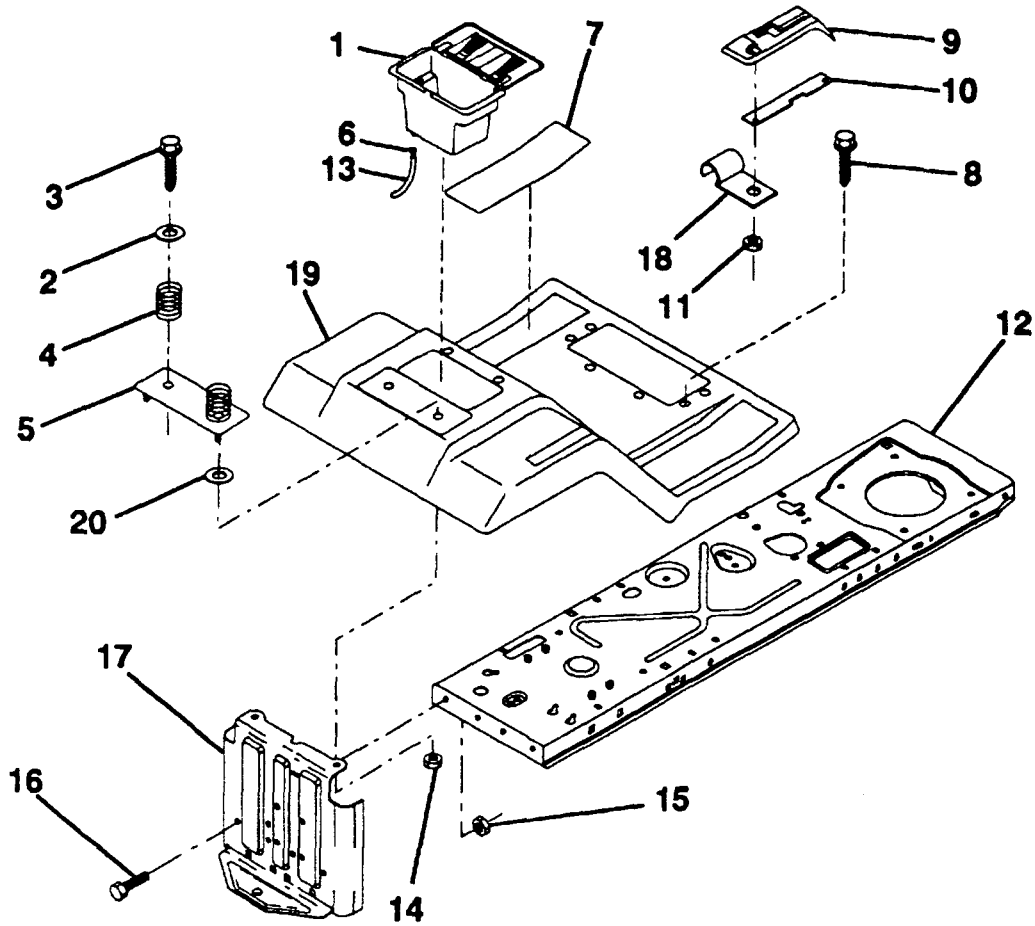


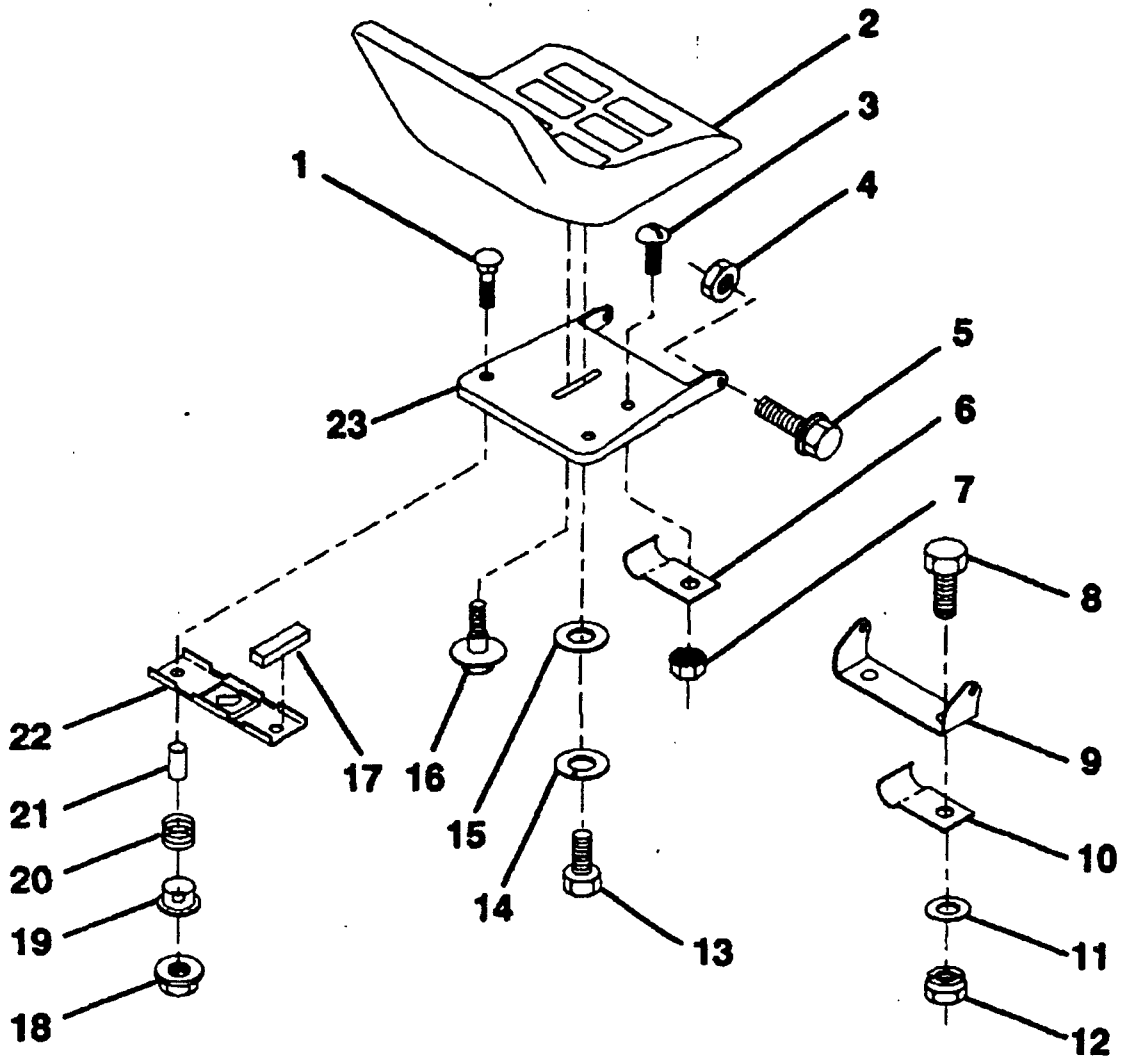
KEY	PART NUMBER	DESCRIPTION	QTY	KEY	PART NUMBER	DESCRIPTION	QTY
01	5321246-57/0	Spring, extension	2	09	8747804-12/1	Bolt	2
02	8735104-00/5	Nut	6	10	5321236-93/6	Brace, hood	1
03	8190910-16/9	Washer	2	11	5321253-88/1	Hood	1
04	8747804-10/5	Bolt	4	12	5321248-35/2	Lens, plate, grill	1
05	5321266-75/0	Bolt, shoulder	2	13	5321257-19/7	Grill	1
06	5321225-49/1	Bracket, hood, r.h.	1				
07	5321225-48/3	Bracket, hood, l.h.	1				
08	8174113-10/3	Screw	2				

ALL HARDWARE IS SHOWN LARGER FOR IDENTIFICATION PURPOSES



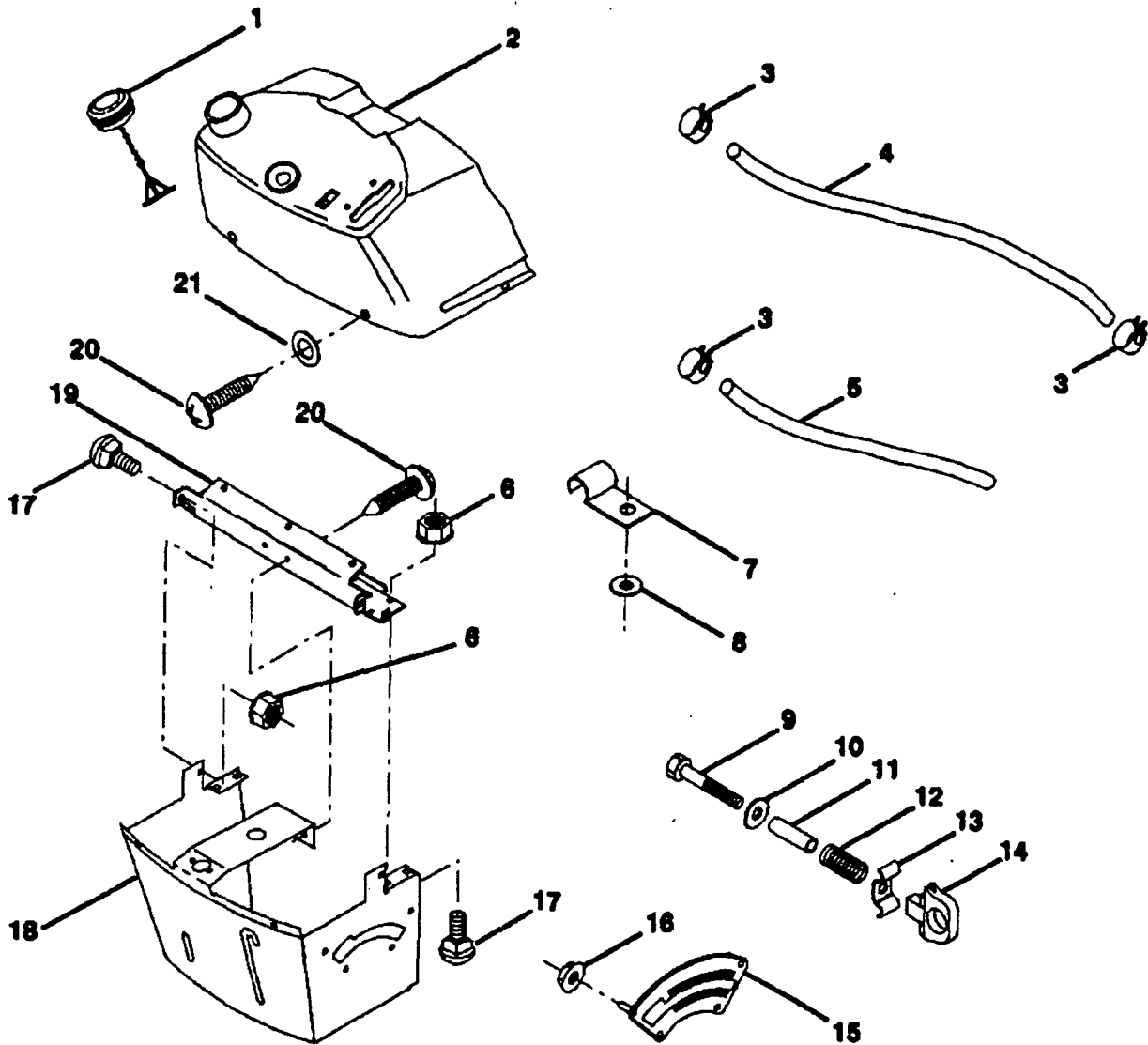
KEY	PART NUMBER	DESCRIPTION	QTY	KEY	PART NUMBER	DESCRIPTION	QTY
01	5321299-65/2	Case, Battery	1	12	5321236-45/6	Assembly, frame	1
02	8191320-12/9	Washer	2	13	5321056-87/0	Tube, battery drain	1
03	8174906-12/6	Screw	2	14	8735104-00/5	Nut, keps hex	1
04	5321241-81/1	Spring, compession, seat	2	15	8736805-00/6	Nut, crownlock	1
05	5321251-52/1	Plate assembly, battery	1	16	8747605-12/2	Bolt, hex head	4
06	5321095-96/9	Clamp, hose	1	17	5321278-80/5	Drawbar	1
07	5321241-44/9	Pad, footrest	2	18	5321264-70/6	Clip, insulated	1
08	8174905-12/8	Screw	6	19	5321251-51/3	Fender/footrest	1
09	5321269-97/8	Console, shift control	1	20	8190914-13/8	Washer	2
10	5321243-07/2	Bar, shift lock	1				
11	5321243-46/0	Nut, self threading, washer head	1				

ALL HARDWARE IS SHOWN LARGER FOR IDENTIFICATION PURPOSES



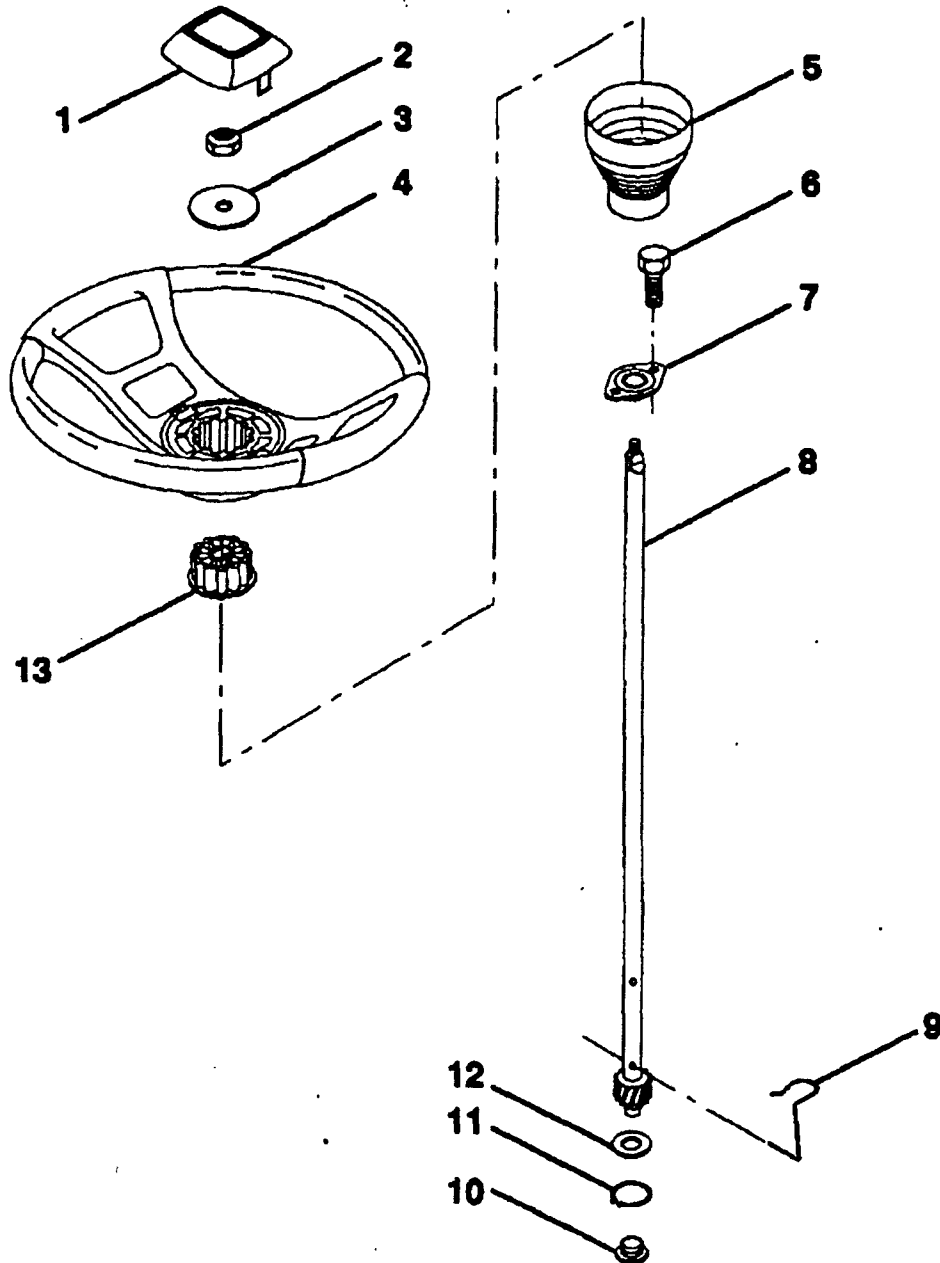
KEY	PART NUMBER	DESCRIPTION	QTY	KEY	PART NUMBER	DESCRIPTION	QTY
01	8720504-11/0	Bolt, carriage	2	13	8747808-14/8	Bolt, hex, fin.	1
02	5321274-23/4	Seat	1	14	8100408-00/7	Washer, lock	1
03	8746410-08/6	Screw, slotted pan head	1	15	8191719-12/2	Washer	1
04	8736805-00/6	Nut, crownlock	2	16	5321270-18/2	Bolt, shoulder	1
05	5321055-29/4	Bolt, shoulder	2	17	5321212-51/5	Strip, foam	2
06	5321249-67/3	Clip, insulated	1	18	5321239-76/5	Locknut, hex, flange, large	2
07	8739510-00/9	Nut, keps	1	19	5321212-48/1	Bushing, snap	2
08	8747606-12/0	Bolt, hex, fin.	2	20	5321212-50/7	Spring, compression	2
09	5321266-56/0	Bracket, pivot, seat	1	21	5321212-49/9	Spacer, split, large	2
10	5321264-71/4	Clip, insulated	1	22	5321212-46/5	Bracket, switch, mounting	1
11	8191312-10/0	Washer	2	23	5321314-51/9	Pan, seat	1
12	8736806-00/4	Nut, crownlock	2				

ALL HARDWARE IS SHOWN LARGER FOR IDENTIFICATION PURPOSES



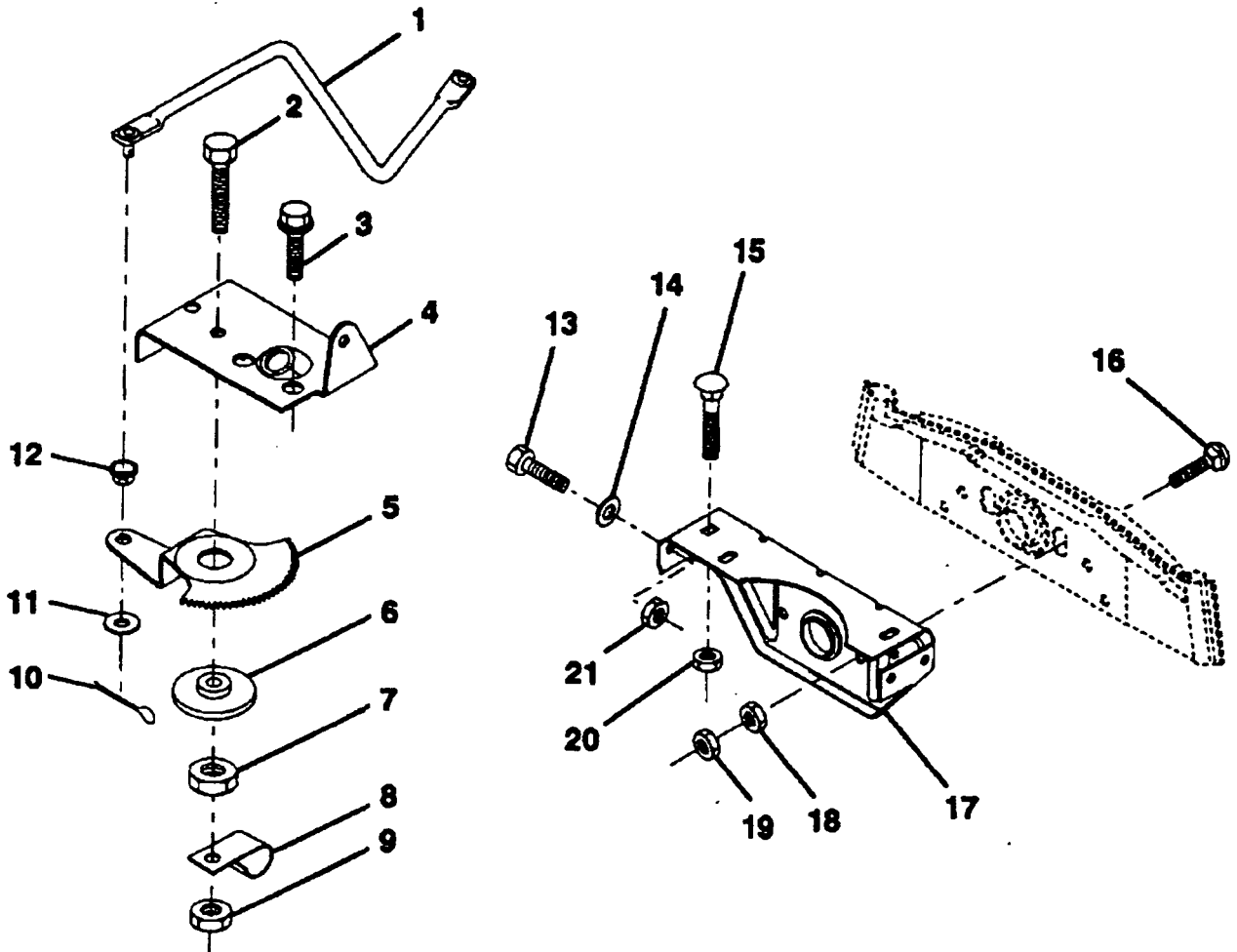
KEY	PART NUMBER	DESCRIPTION	QTY	KEY	PART NUMBER	DESCRIPTION	QTY
01	5321220-15/3	Cap, fuel	1	13	5321264-50/8	Clip, height adjustment	1
02	5321309-13/9	Dash and fuel tank assembly	1	14	5321261-15/7	Knob, height stop	1
03	5321234-87/3	Clamp, hose	3	15	5321220-23/7	Adjustment, quadrant height	1
04	5320085-44/1	Line, fuel	1	16	5321243-46/0	Nut, self-threading	2
05	5320085-48/2	Line, fuel	1	17	8721104-04/3	Bolt, carriage	2
06	8735104-00/5	Nut, hex, keps	2	18	5321307-45/5	Support assembly, dash	1
07	5321249-96/2	Clip, fuel line	1	19	5321307-22/4	Brace, cross	1
08	8190912-16/5	Washer	1	20	8180004-08/0	Screw, self-tapping	4
09	8747604-28/1	Bolt, hex, fin.	1	21	8190908-16/3	Washer	4
10	8190914-13/8	Washer	1	22	5321340-14/2	Plug, dome black	1
11	5321212-49/9	Spacer, split	1				
12	5320037-20/2	Spring	1				

ALL HARDWARE IS SHOWN LARGER FOR IDENTIFICATION PURPOSES



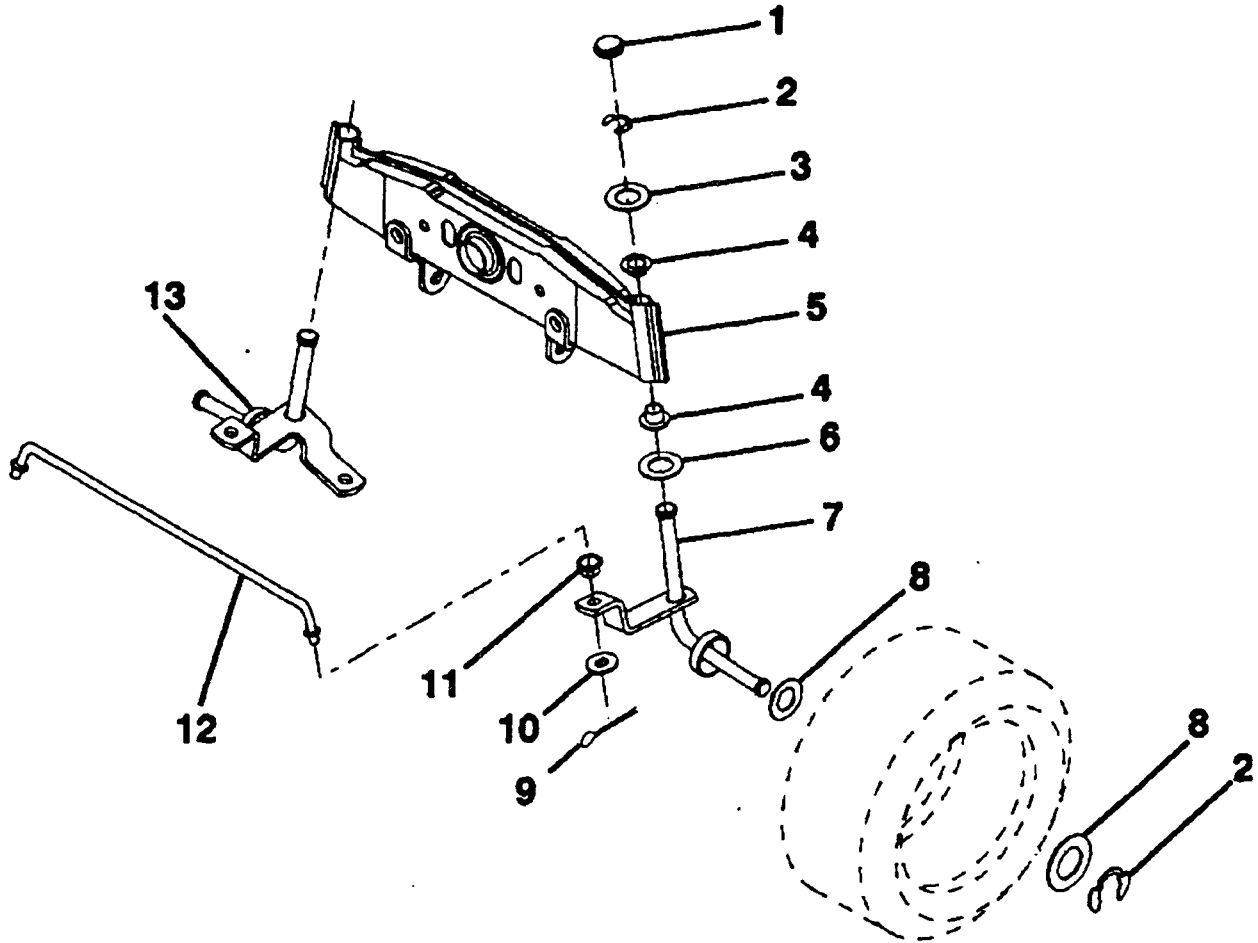
KEY	PART NUMBER	DESCRIPTION	QTY	KEY	PART NUMBER	DESCRIPTION	QTY
01	5321007-10/5	Insert, steering wheel	1	09	5321242-10/8	Clip, steering	1
02	5321247-01/6	Locknut	1	10	5321234-38/6	Bushing, lower, steering	1
03	8191338-08/9	Washer	1	11	8120000-45/3	Ring, retaining	1
04	5321004-13/9	Wheel, steering	1	12	8192116-16/1	Washer	1
05	5321212-97/5	Sleeve, steering	1	13	5321048-20/8	Adaptor, steering wheel	1
06	8174310-08/9	Screw, hex	2				
07	5321028-03/6	Bushing, steering	1				
08	5321236-51/4	Shaft, steering	1				

ALL HARDWARE IS SHOWN LARGER FOR IDENTIFICATION PURPOSES



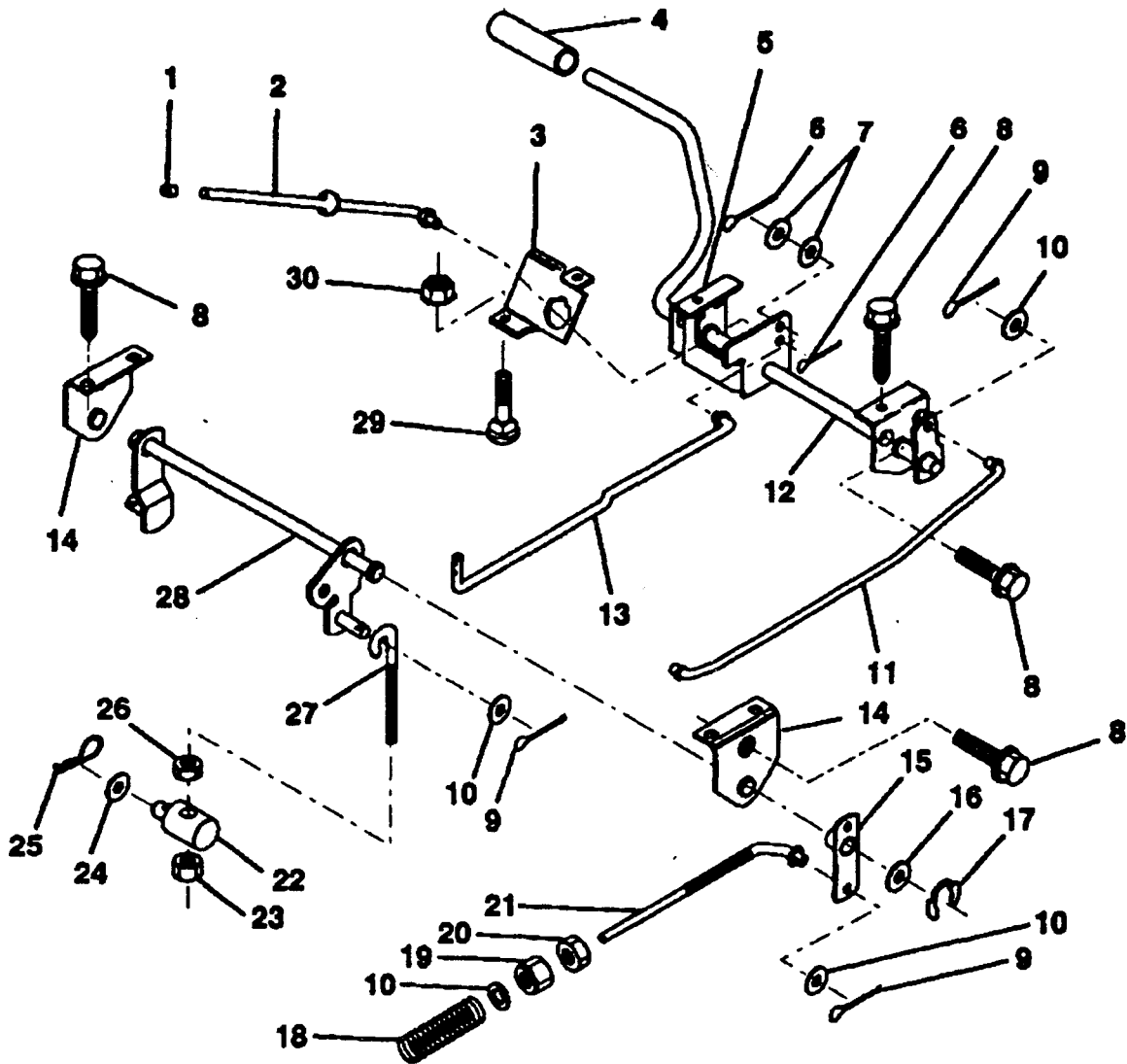
KEY	PART NUMBER	DESCRIPTION	QTY	KEY	PART NUMBER	DESCRIPTION	QTY
01	5321325-66/3	Link, drag	1	12	5321268-47/5	Bushing	1
02	8747808-28/8	Bolt, hex, fin.	1	13	8747605-12/2	Bolt, hex head	2
03	8174905-08/6	Screw, hex	1	14	8191114-167	Washer	2
04	5321219-25/4	Plate, steering support	1	15	8721106-06/3	Bolt, carriage	2
05	5321219-26/2	Gear, sector	1	16	8721406-22/2	Bolt, carriage	2
06	5321219-27/0	Bushing	1	17	5321219-12/2	Support, front axle	1
07	8730308-00/7	Nut, hex, heavy, top lock	1	18	8732206-00/1	Nut, hex, fin	2
08	5321264-72/2	Clip, insulated	1	19	8739306-00/2	Nut, centrelock	2
09	8736808-00/0	Nut, crownlock	1	20	8736806-00/4	Nut, crownlock	2
10	8760204-12/6	Pin, cotter	1	21	8736805-00/6	Nut, crownlock	2
11	8191313-16/5	Washer	1				

ALL HARDWARE IS SHOWN LARGER FOR IDENTIFICATION PURPOSES



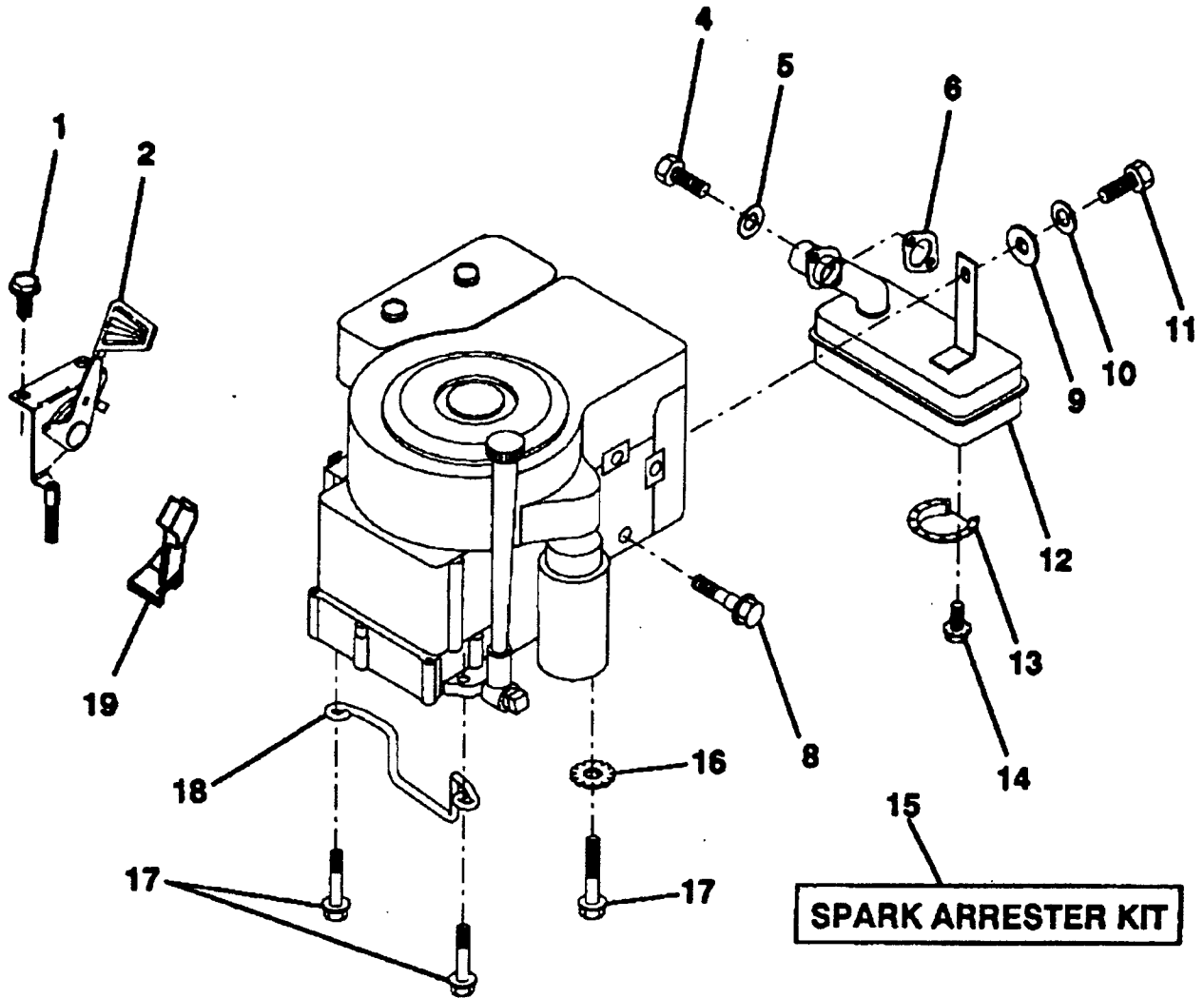
KEY	PART NUMBER	DESCRIPTION	QTY	KEY	PART NUMBER	DESCRIPTION	QTY
01	5321212-32/5	Cap, spindle	2	09	8760204-12/6	Pin, cotter	2
02	8120000-29/7	Ring, clip	4	10	8191313-16/5	Washer	2
03	5321217-48/0	Washer	2	11	5321268-47/5	Bushing	2
04	5321219-22/1	Nyliner	4	12	5321219-24/7	Rod, tie	1
05	5321285-43/8	Axle, front	1	13	5321219-16/3	Spindle assembly, l.h.	1
06	5321249-31/9	Bearing, thrust	2				
07	5321219-19/7	Spindle assembly, r.h.	1				
08	5321217-49/8	Washer	4				

ALL HARDWARE IS SHOWN LARGER FOR IDENTIFICATION PURPOSES



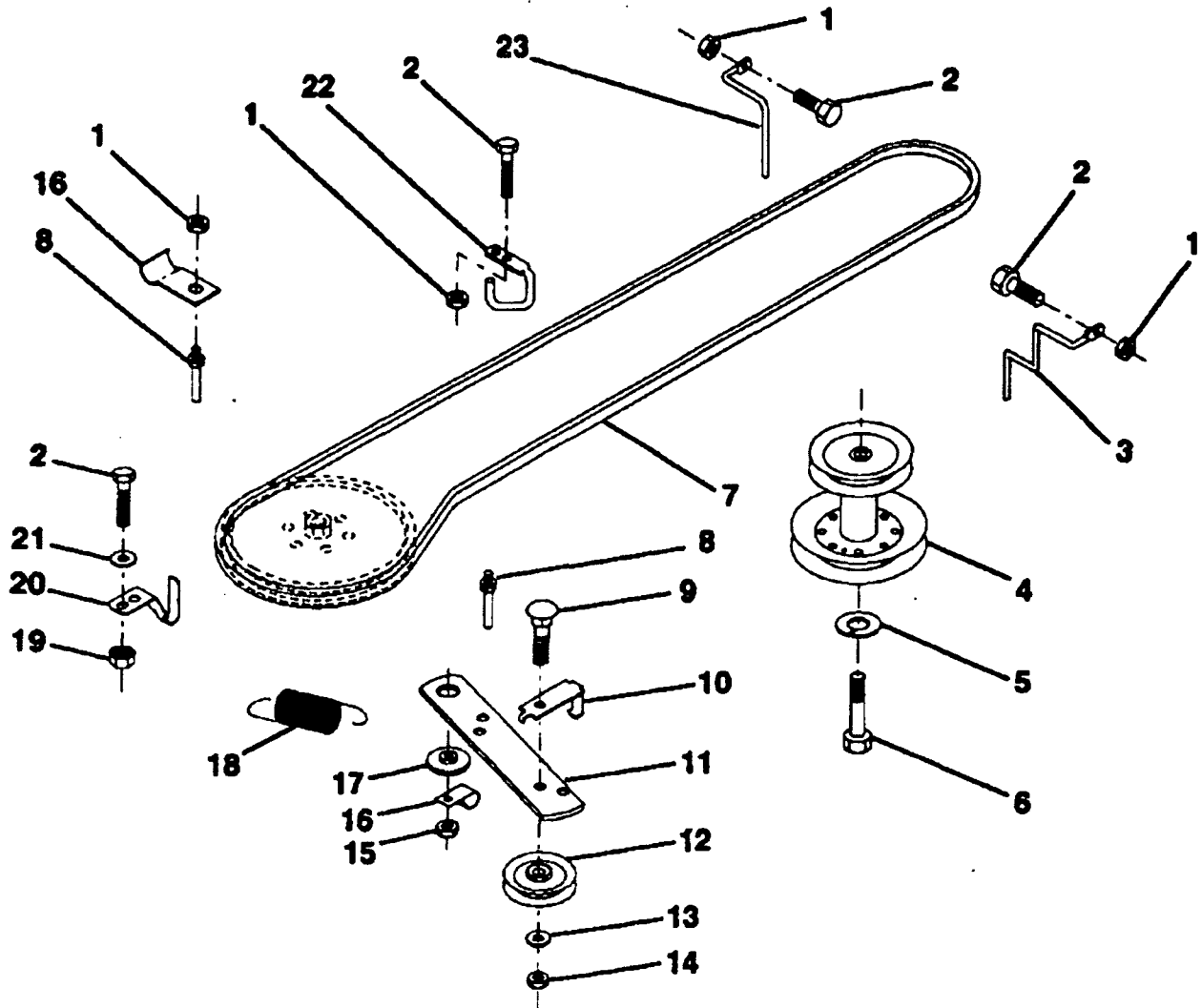
KEY	PART NUMBER	DESCRIPTION	QTY	KEY	PART NUMBER	DESCRIPTION	QTY
01	5320716-73/0	Cap, plunger	1	17	8120000-34/7	Ring, klip	1
02	5321234-36/0	Rod, parking brake	1	18	5321068-88/3	Spring, brake rod	1
03	5321234-37/8	Bracket, parking brake	1	19	8738006-00/9	Locknut, hex with washer insert	2
04	5321248-72/5	Cover, pedal	1	20	8733506-00/3	Nut, hex, jam	1
05	5321225-04/6	Bracket, clutch/brake pedal, l.h.	1	21	5321314-60/0	Rod, brake, rear	1
06	8760203-12/8	Pin, cotter	2	22	5321273-78/0	Trunnion, lift	1
07	8191310-16/1	Washer	2	23	8736806-00/4	Nut, crownlock	2
08	8174905-08/6	Screw	8	24	8191320-12/9	Washer	1
09	8760204-12/6	Pin, cotter	3	25	5321249-61/6	Spring, retainer	1
10	8191313-16/5	Washer	3	26	8739306-00/2	Nut, centrelock	1
11	5321235-43/3	Rod, brake, front	1	27	5321273-69/9	Link, threaded	1
12	5321295-67/6	Assembly, clutch/brake pedal	1	28	5321273-58/2	Assembly, rear mower lift	1
13	5321233-94/1	Rod, clutch	1	29	8721105-06/5	Bolt, carriage	1
14	5321219-78/3	Bracket, lift shaft	1	30	8735105-00/2	Nut, keps	1
15	5321236-41/5	Assembly, brake, pivot, arm	1				
16	8192518-16/8	Washer	1				

ALL HARDWARE IS SHOWN LARGER FOR IDENTIFICATION PURPOSES



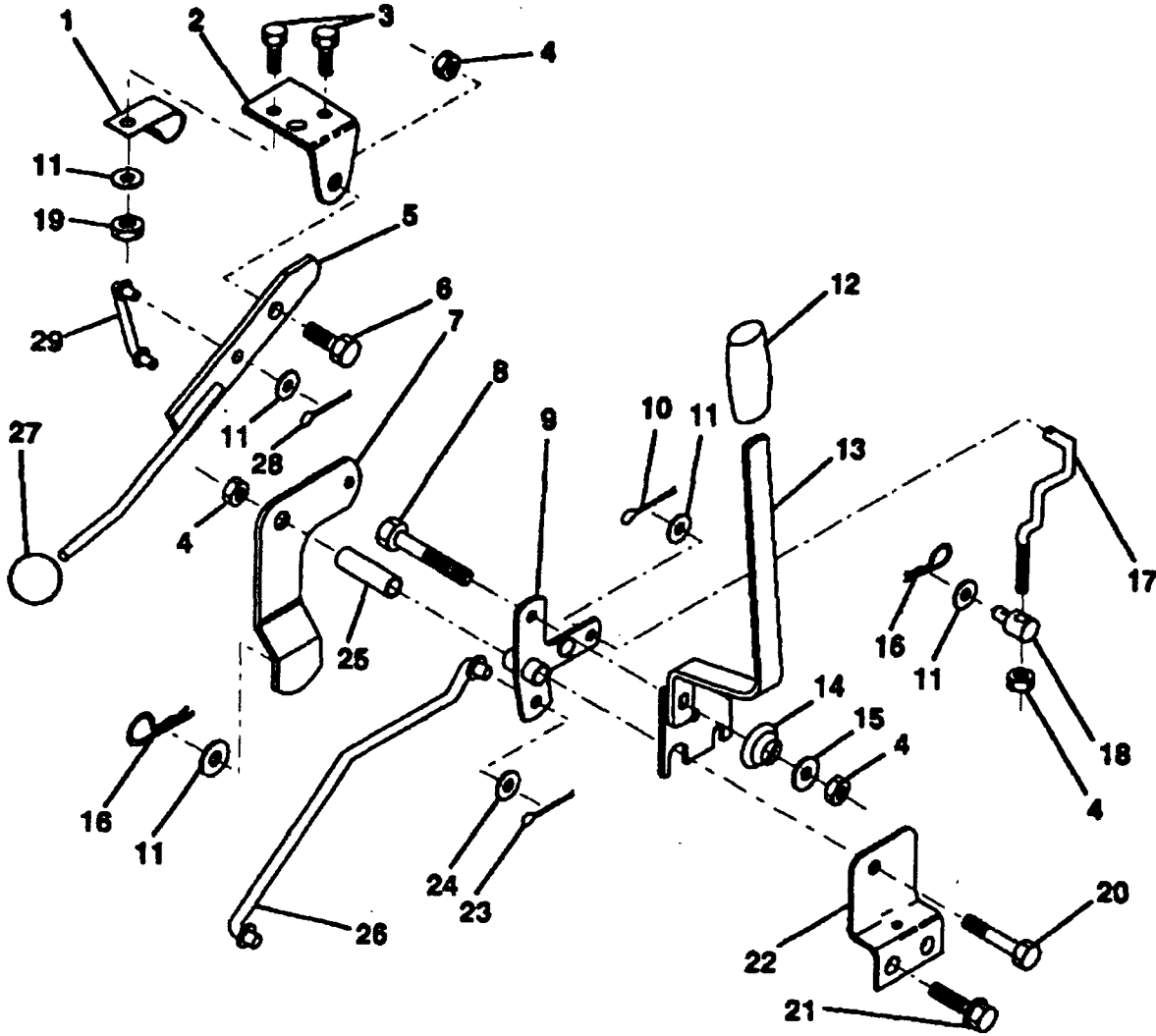
KEY	PART NUMBER	DESCRIPTION	QTY	KEY	PART NUMBER	DESCRIPTION	QTY
01	8177204-08/1	Screw, hex, thread cutting	2	12	5321236-76/1	Muffler	1
02	5321330-25/9	Control, throttle	1	13	5321013-26/9	Deflector, muffler	1
04	8710705-12/3	Screw, hex, cap	2	14	8170308-08/7	Screw, spiderlock, hex head	1
05	8100405-00/3	Washer, lock	2	15	5321218-51/2	Arrester, spark	1
06	5321255-93/6	Gasket, exhaust	1	16	8110506-00/6	Washer, lock, external tooth	1
08	5321210-94/9	Bolt, shoulder	1	17	8174906-24/1	Screw, hex washer head	3
09	8191012-16/3	Washer	1	18	5321266-36/2	Keeper, ground drive belt	1
10	8100404-00/6	Washer, lock	1	19	5321330-97/8	Stop, throttle	1
11	8747804-20/4	Bolt, hex, fin	1				

ALL HARDWARE IS SHOWN LARGER FOR IDENTIFICATION PURPOSES



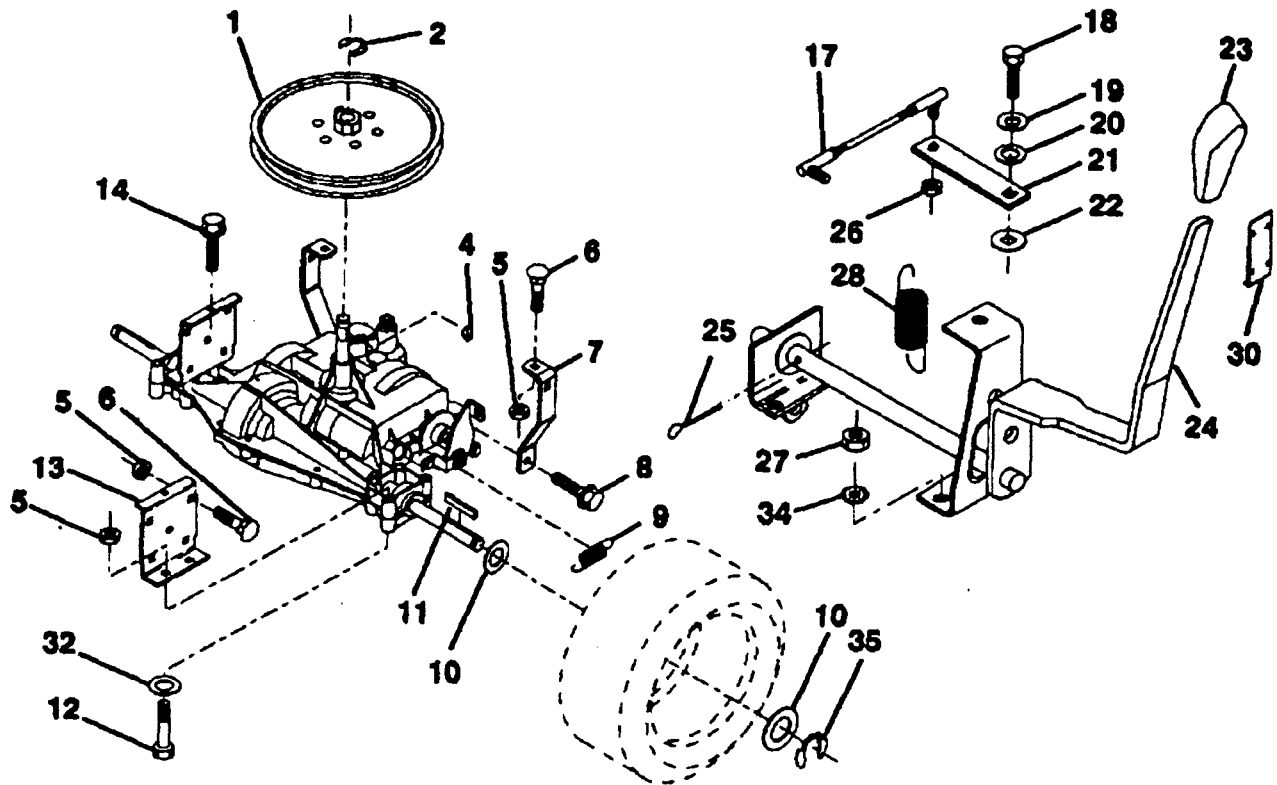
KEY	PART NUMBER	DESCRIPTION	QTY	KEY	PART NUMBER	DESCRIPTION	QTY
01	8736805-00/6	Nut, crownlock	4	14	8739306-00/2	Nut, centrelock	1
02	8747605-12/2	Bolt, hex head	4	15	8736806-00/4	Nut, crownlock	1
03	5321312-05/9	Keeper, mower drive belt, r.h.	1	16	5321264-71/4	Clip, insulated	2
04	5321348-28/5	Pulley, engine	1	17	5321220-52/6	Spacer, retainer	1
05	8100407-00/9	Washer, lock	1	18	5321314-59/2	Spring, extension	1
06	8711707-44/1	Bolt, hex, fin.	1	19	8735105-00/2	Nut, keps	1
07	5321265-20/8	Traction, v-belt drive	1	20	5321238-91/6	Keeper, 1/4 ground drive belt	1
08	5321234-05/5	Keeper, 1/4 ground drive belt	1	21	8191110-16/5	Washer	1
09	8721406-12/5	Bolt, carriage	1	22	5321234-04/8	Keeper, frame, ground drive belt	1
10	5321233-96/6	Keeper, belt ground drive idler	1	23	5321312-04/2	Keeper, mower drive, l.h.	1
11	5321233-95/8	Arm, ground drive clutch	1				
12	5320048-59/7	Idler, flat	1				
13	8191313-16/5	Washer	1				

ALL HARDWARE IS SHOWN LARGER FOR IDENTIFICATION PURPOSES



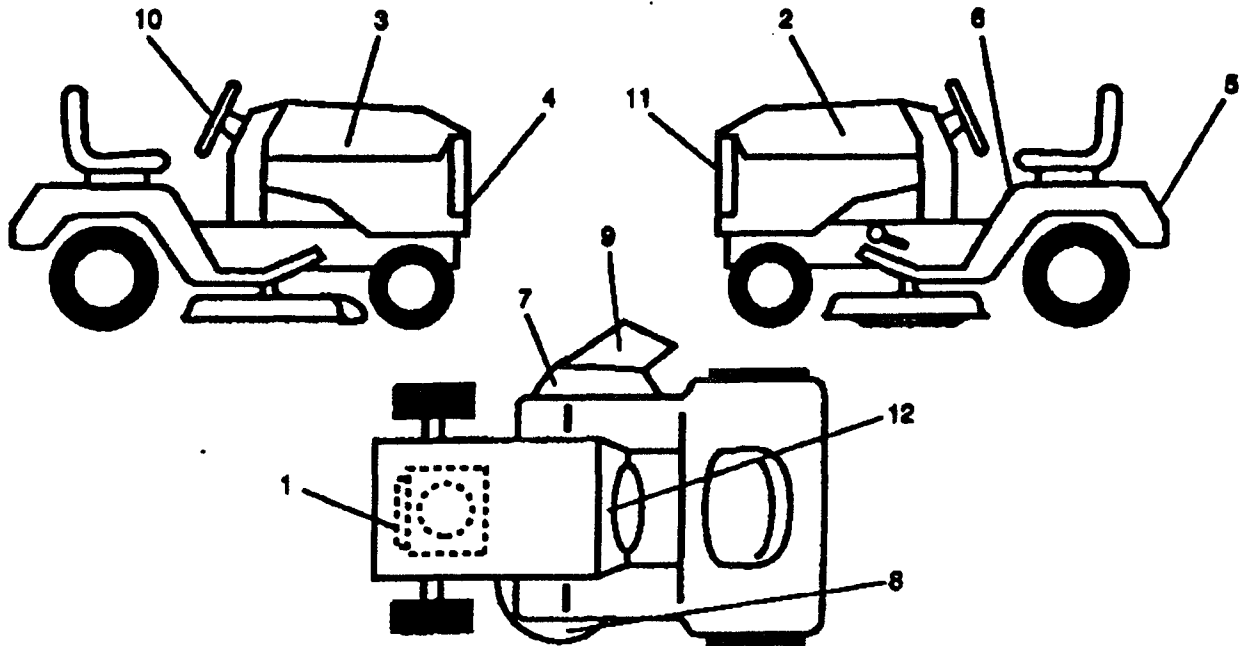
KEY	PART NUMBER	DESCRIPTION	QTY	KEY	PART NUMBER	DESCRIPTION	QTY
01	5321264-70/6	Clip, insulated	1	16	5321249-91/6	Retainer, spring	1
02	5321220-18/7	Bracket, mower clutch	1	17	5321273-59/0	Link, front lift	1
03	8747804-08/9	Bolt, hex, fin.	2	18	5321332-05/7	Trunnion, threaded	1
04	8736806-00/4	Nut, crownlock	4	19	8736804-00/9	Nut, crownlock	1
05	5321234-17/0	Assembly, clutch lever	1	20	8747606-44/3	Bolt, hex, fin.	1
06	5321064-51/0	Bolt, shoulder	1	21	8174905-08/6	Screw, hex	2
07	5321234-91/5	Assembly, mower clutch arm	1	22	5321219-29/6	Bracket, mower height	1
08	8747606-36/9	Bolt, hex	1	23	8760204-16/7	Pin, cotter	1
09	5321219-30/4	Bracket, lift assembly	1	24	8191716-16/9	Washer	1
10	8760204-12/6	Pin, cotter	1	25	5321219-33/8	Tube, spacer	1
11	8191313-16/5	Washer	5	26	5321219-34/6	Rod, mower lift	1
12	5321220-27/8	Grip, handle	1	27	5321214-66/9	Knob	1
13	5321270-28/1	Assembly, lift handle	1	28	8760203-12/8	Pin, cotter	1
14	5321234-96/4	Spring, compression	1	29	5321236-71/2	Link, mower clutch	1
15	8191312-12/6	Washer	1				

ALL HARDWARE IS SHOWN LARGER FOR IDENTIFICATION PURPOSES

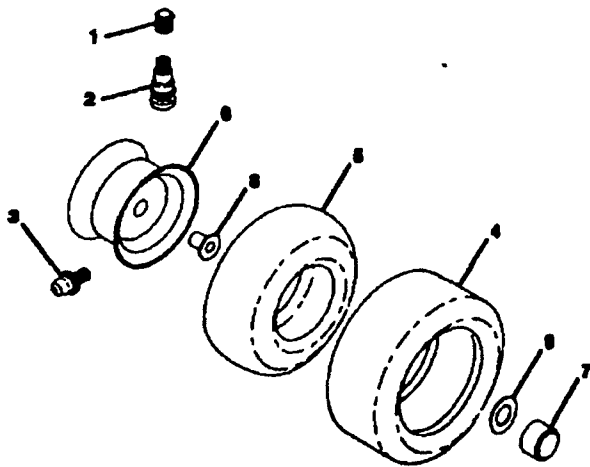


KEY	PART NUMBER	DESCRIPTION	QTY	KEY	PART NUMBER	DESCRIPTION	QTY
01	5321233-85/9	Pulley	1	19	8100404-00/6	Washer, lock	1
02	8120000-28/9	Ring, retainer	1	20	8190912-10/8	Washer	1
03	5321270-53/9	Transaxle, peerless	1	21	5321262-92/4	Arm, shift	1
04	5321250-96/0	Key, woodruff	1	22	5321057-01/9	Washer, shift plate	1
05	8736805-00/6	Nut, crownlock	10	23	5321220-11/2	Knob, golf club	1
06	8721405-06/9	Bolt, carriage	6	24	5321282-02/1	Handle, shift assembly	1
07	5321233-78/4	Strap, torque	2	25	8760204-16/7	Pin, cotter	1
08	8174905-08/6	Screw, hex	2	26	8738105-00/9	Nut, hex, nylon	1
09	5321104-22/5	Spring, brake	1	27	8735105-00/2	Nut, keps	2
10	5321217-49/8	Washer	4	28	5321280-85/0	Spring, extension	1
11	5321235-83/9	Key, square	2	30	5321236-92/8	Knob, retainer	1
12	8747605-40/3	Bolt, hex, fin.	4	32	8191111-16/3	Washer	4
13	5321233-77/6	Bracket, transaxle	2	34	8110505-00/8	Washer, lock, external tooth	2
14	8174905-12/8	Screw	2	35	8120000-01/6	E-ring	2
17	5321262-93/2	Link, shift	1				
18	8710404-12/3	Bolt, hex, fin.	1				

ALL HARDWARE IS SHOWN LARGER FOR IDENTIFICATION PURPOSES

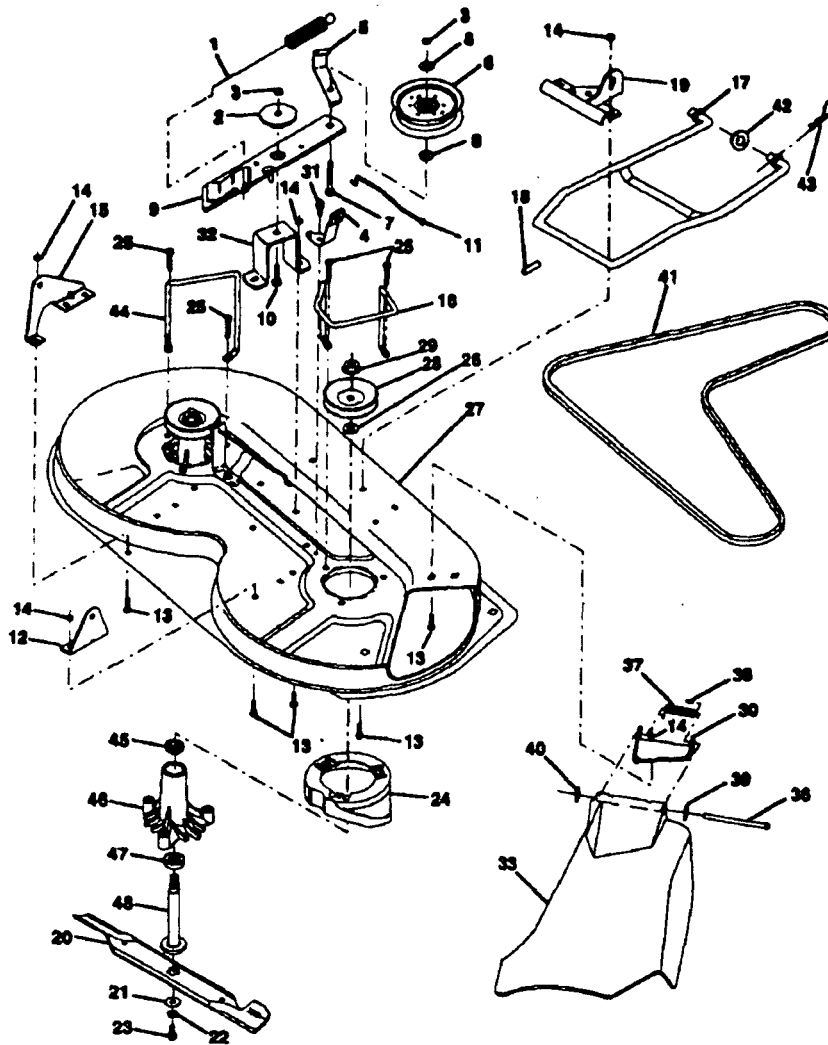


KEY	PART NUMBER	DESCRIPTION	QTY	KEY	PART NUMBER	DESCRIPTION	QTY
02	5321265-05/9	Decal, hood, l.h.	1	09	5321261-94/2	Decal, caution, deflector	1
03	5321265-06/7	Decal, hood, r.h.	1	10	5321264-30/0	Decal, logo, steering wheel cap	1
04	5321264-29/2	Decal, logo, grill	1	11	5321262-41/1	Decal, stripe, grill	1
05	5321256-90/0	Decal, 100 DBA	1	12	5321261-96/7	Decal, rotating blades	1
06	5321337-96/5	Decal, instruction, warning	1				
07	5321261-92/6	Decal, warning, cut finger	1				
08	5321267-12/1	Decal, instruction/operation	1				



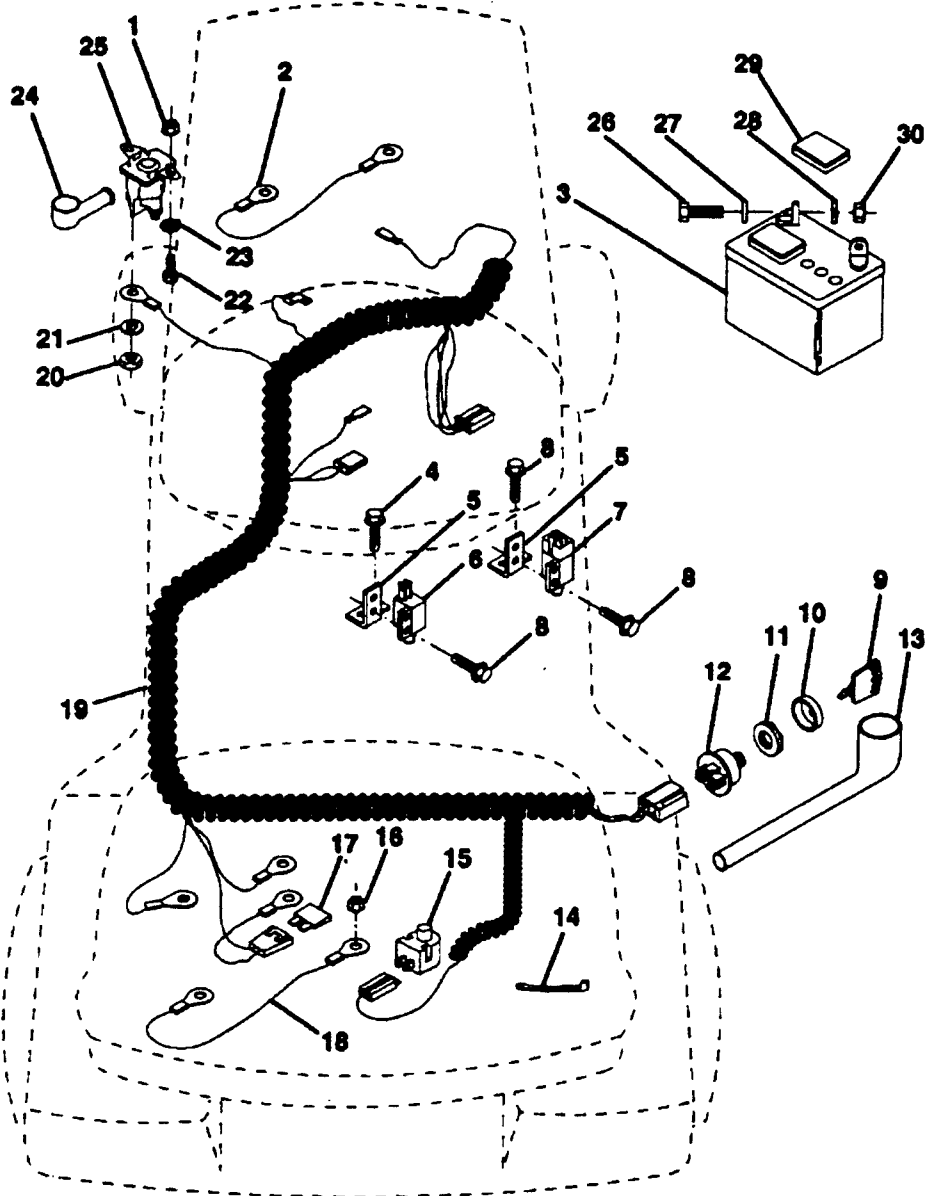
KEY	PART NUMBER	DESCRIPTION	QTY
01	5320591-92/7	Cap, valve	4
02	5320651-39/0	Stem, valve	4
03	5321249-57/4	Fitting, grease	4
04	5321234-10/5	Tyre, front	2
	5321062-30/8	Tyre, rear	2
05	5320599-04/5	Tube, tyre, front	2
	5320081-34/1	Tube, tyre, rear	2
06	5321248-09/7	Rim, front	2
	5321248-05/5	Rim, rear	2
07	5321047-57/2	Cap, axle, front and rear	4
08	5321249-59/0	Bearing, flange	2
09	5321217-48/0	Washer	4

ALL HARDWARE IS SHOWN LARGER FOR IDENTIFICATION PURPOSES



KEY	PART NUMBER	DESCRIPTION	QTY	KEY	PART NUMBER	DESCRIPTION	QTY
01	5321277-43/5	Spring, mower clutch	1	26	5321299-63/7	Washer	2
02	5321220-52/6	Spacer, retainer	1	27	5321299-83/5	Deck assembly	1
03	8736806-00/4	Nut, crownlock	2	28	5321292-07/9	Pulley, mandrell	2
04	5321308-40/4	Bracket assembly	2	29	8730509-00/0	Nut, flangelock	2
05	5321312-51/3	Guide, belt idler	1	30	5321263-61/7	Bracket assembly, deflector	1
06	5321213-16/6	Pulley, flat idler	1	31	8174905-08/6	Screw, hex washer head	2
07	8721106-16/2	Bolt, carriage	1	32	5321220-51/8	Arm, support idler, mower	1
08	8191314-10/6	Washer	2	33	5321315-60/7	Deflector	1
09	5321277-44/3	Arm assembly, idler, mower	1	36	5321219-80/9	Rod, hinge	1
10	8721106-08/9	Bolt, carriage	1	37	5321237-13/2	Spring, torsion deflector	1
11	5321308-41/2	Rod, brake	1	38	5321053-04/2	Cap, sleeve	2
12	5321273-56/6	Bracket, lift, rear, r.h.	1	39	8191110-16/5	Washer	1
13	8721405-05/1	Bolt, carriage	8	40	5321104-52/2	Pushnut	1
14	8736805-00/6	Nut, crownlock	8	41	5321312-64/6	V-belt	1
15	5321273-57/4	Bracket, lift, rear, l.h.	1	42	8191716-16/9	Washer	1
16	5321308-37/0	Keeper, belt, r.h.	1	43	5321246-60/4	Retainer, spring	1
17	5321285-08/1	Link assembly, mower stabilizer	1	44	5321308-36/2	Keeper, l.h.	1
18	5321285-11/5	Pin, drive	1	45	5321104-85/2	Bearing	2
19	5321273-80/6	Bracket assembly, front	1	46	5321287-74/9	Housing mandrel vented	2
20	5321278-41/7	Blade	2	47	5321298-95/1	Bearing	2
21	5321299-62/9	Washer, hard	2	48	5321331-72/9	Shaft, mandrel	2
22	8100306-00/3	Washer, lock	2				
23	5328508-57/6	Bolt	2				
24	5321289-61/2	Stripper	2				
25	5320781-58/5	Bolt	4				

ALL HARDWARE IS SHOWN LARGER FOR IDENTIFICATION PURPOSES



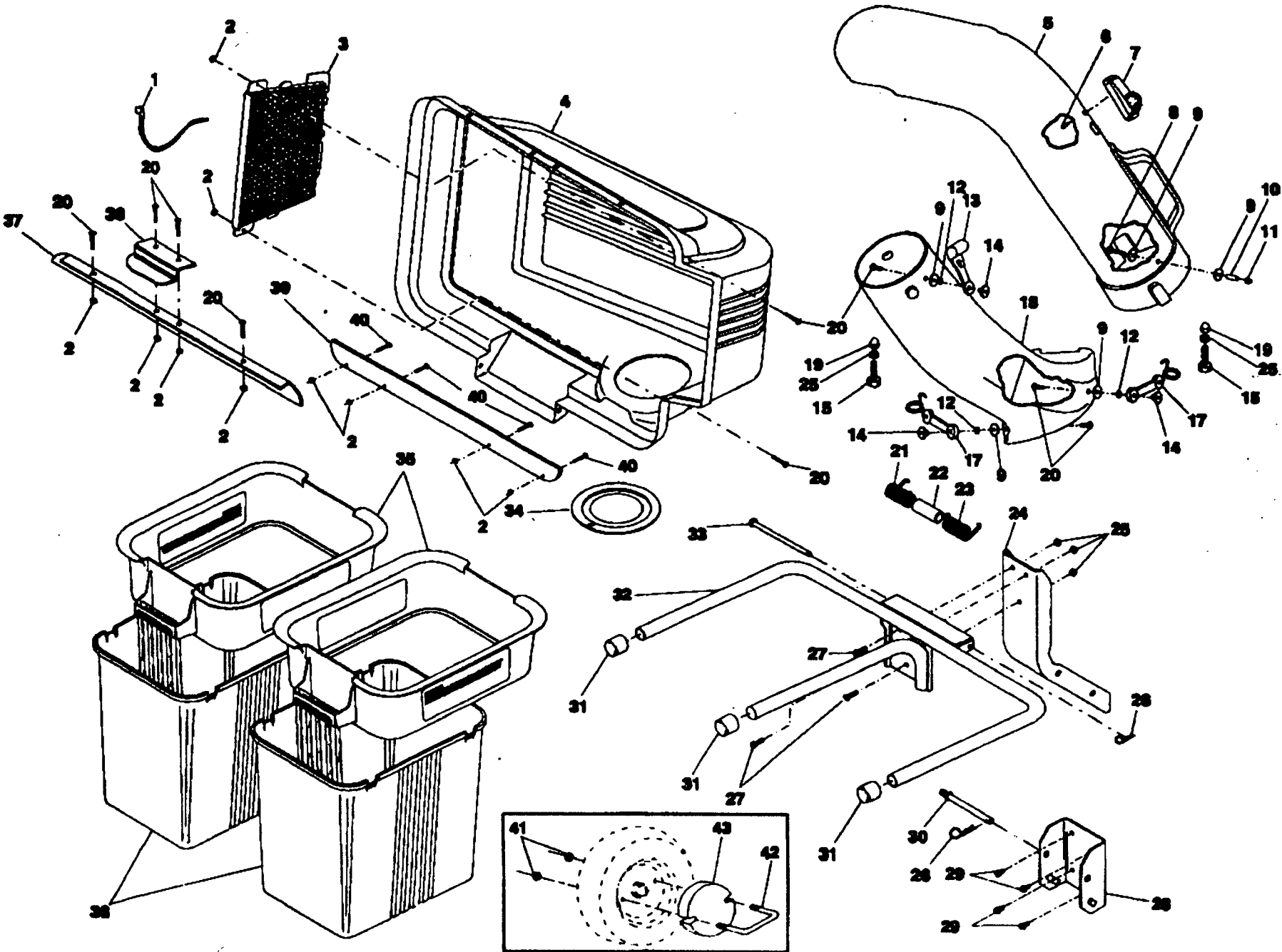
KEY	PART NUMBER	DESCRIPTION	QTY	KEY	PART NUMBER	DESCRIPTION	QTY
01	8735104-00/5	Nut, hex, keps	2	17	5321088-24/6	Fuse	1
02	5321084-23/7	Assembly, cable	1	18	5321283-53/2	Assembly, cable	1
03	5321339-09/4	Battery	1	19	5321322-23/1	Harness, ignition	1
04	8172110-08/5	Screw, hex washer head	2	20	8733504-00/8	Nut, hex, jam	1
05	5321082-36/3	Bracket, switch	2	21	8100904-00/5	Washer, lock	1
06	5321044-45/4	Switch, interlock	1	22	8747804-08/9	Bolt, hex, fin.	2
07	5321095-53/0	Switch, interlock	1	23	8110504-00/1	Washer, lock, external tooth	2
08	8170210-08/5	Screw, hex head, tapping	6	24	5321315-63/1	Cover, terminal	1
09	5321221-47/4	Key, molded	1	25	5321090-81/2	Solenoid	1
10	5321236-20/9	Cover, ignition key	1	26	8747604-12/5	Bolt, hex head	2
11	5321242-11/6	Nut, ignition	1	27	8190910-16/9	Washer	2
12	5321251-04/2	Switch, ignition	1	28	8100404-00/6	Washer, lock	2
13	5321240-83/9	Cover, ignition switch	1	29	5321212-64/8	Cap, battery	2
14	5321247-56/0	Tie, cable	1	30	8732204-00/6	Nut, hex, fin	2
15	5321213-05/9	Switch, plunger	1				
16	8735105-00/2	Nut, hex, keps	1				

ALL HARDWARE IS SHOWN LARGER FOR IDENTIFICATION PURPOSES

Flymo

CE36A Grass Bagger

(1992 PRODUCTION)



Flymo

CE36A Grass Bagger

Key	Part Number	Description	Qty
01	5320071-92/0	Cable tie	1
02	5320691-80/0	Nut	10
03	5321275-33/0	Screen cover	1
04	5321268-16/0	Cover	1
05	5321285-98/2	Chute, upper	1
06	8180210-08/3	Screw, special	1
07	5321309-33/7	Full bagger indicator	1
08	5320871-75/8	Screw	1
09	8190612-16/1	Washer 3/16x3/4	5
10	5320072-06/8	Spacer	1
11	5320608-67/1	Nut, acorn	1
12	8100710-00/6	Washer, lock	3
13	5321098-08/8	Latch	1
14	5320020-29/9	Nut, weld	3
15	8749305-16/8	Hex bolt 5/16-18x1	2
17	5321307-58/8	Latch assy, bagger	2
18	5321312-70/3	Chute, lower	1
19	5321338-41/9	Nut, acorn, 5/16-18	2
20	8711610-10/8	Screw No 10	9
21	5321327-96/6	Spring cover, l/h, black	1
22	5321332-35/4	Spacer cover	1
23	5321329-83/0	Spring cover, r/h, grey	1
24	5321277-20/3	Support post	1
25	8736905-00/4	Locknut	5
26	5320859-02/7	Retainer spring	2
27	8747605-12/2	Bolt, 5/16-18x3/4	3
28	5321308-89/1	Mounting bracket	1
29	8174905-08/6	Screw, 5/16-18x1/2	4
30	5321311-37/4	Pin, support post	1
31	5321344-96/1	Cap, tubing end	3
32	5321269-19/2	Bagger frame	1
33	5321286-00/6	Hinge pin	1
34	5321275-34/8	Gasket cover	1
35	5321295-85/8	Container top	2
36	5321295-86/6	Container bottom	2
37	5321322-56/1	Seal cover	1
38	5321318-59/3	Latch handle, cover	1
39	5321354-95/2	Strip, seal	1
40	8711410-08/7	Screw	4
41	8738006-00/9	Locknut	4
42	5321236-59/7	U - Bolt	2
43	5321236-35/7	Balance weight, front wheel	2