

| | |
|-------|-------------------------|
| brand | McCULLOCH; FLYMO |
|-------|-------------------------|

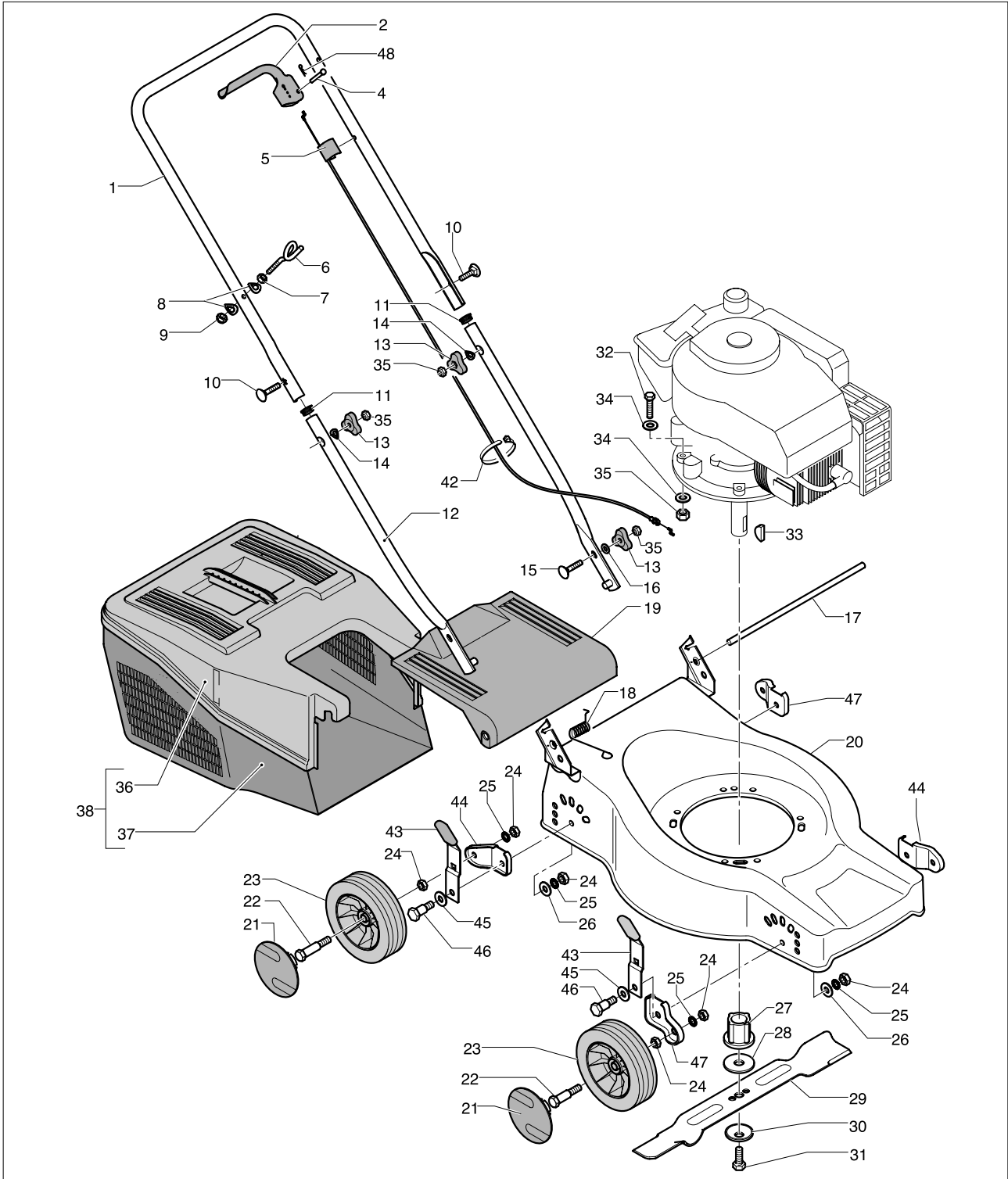
| | | |
|------|---------|-----------|
| date | 2002-01 | SHEET 1/2 |
|------|---------|-----------|

Model

| |
|-----------------|
| LM3540S |
| LMT3540S |
| |

Product number

| |
|-----------------------------|
| 9538780-05 McCulloch |
| 9538783-04 McCulloch |
| |



| | |
|-------|-------------------------|
| brand | McCULLOCH; FLYMO |
|-------|-------------------------|

| | | |
|------|---------|-----------|
| date | 2002-01 | SHEET 2/2 |
|------|---------|-----------|

| |
|----------------------------------|
| LM3540S; LMT3540S; LC400S |
|----------------------------------|

| Pos | PN ELX | PN MEP | Q.ty | Note | Pos | PN ELX | PN MEP | Q.ty | Note |
|-----|--------------|------------|------|---------------|-----|--------------|------------|------|------------|
| 1 | 531 20 60-69 | 10 1501 23 | 1 | | 35 | 531 20 79-82 | 20 1063 00 | 7 | M8 |
| 2 | 531 20 60-27 | 10 1466 33 | 1 | | 36 | 531 20 82-96 | 20 1461 13 | 1 | |
| 4 | 531 20 74-09 | 10 6514 00 | 1 | | 37 | 531 20 83-13 | 20 1465 93 | 1 | |
| 5 | 531 20 60-25 | 10 1466 10 | 1 | TECNAMOTOR | 38 | 531 20 46-46 | 09 1466 63 | 1 | |
| 5 | 531 20 60-26 | 10 1466 20 | 1 | mm 1415/141,5 | 42 | 531 20 55-81 | 10 1356 00 | 1 | |
| 6 | 531 20 51-69 | 10 1214 70 | 1 | B&S mm | 43 | 531 20 49-13 | 10 1072 03 | 4 | |
| 7 | 531 20 71-65 | 10 5012 00 | 1 | 1085/144,5 | 44 | 531 20 49-14 | 10 1073 01 | 2 | |
| 8 | 531 20 49-61 | 10 1159 00 | 2 | M6 | 45 | 531 20 66-43 | 10 2725 00 | 4 | Ø 13 x 1,2 |
| 9 | 531 20 84-91 | 20 2818 00 | 1 | Ø 6 | 46 | 531 20 49-12 | 10 1071 00 | 4 | |
| 10 | 531 20 70-89 | 10 4024 01 | 2 | M6 NYLON | 47 | 531 20 49-15 | 10 1073 02 | 2 | |
| 11 | 531 20 89-50 | 20 8333 03 | 2 | TTSQ M8x50 | 48 | 531 20 74-08 | 106513 00 | 1 | |
| 12 | 531 20 60 71 | 10 1501 33 | 2 | | | | | | |
| 13 | 531 20 49-23 | 10 1143 03 | 2 | M8 | | | | | |
| 14 | 531 20 70-90 | 10 4024 02 | 2 | Ø 8,5 | | | | | |
| 15 | 531 20 49-21 | 10 1141 00 | 2 | TTSQ M8x25 | | | | | |
| 16 | 531 20 49-22 | 10 1142 00 | 2 | Ø 8,5 | | | | | |
| 17 | 531 20 50-60 | 10 1205 30 | 1 | | | | | | |
| 18 | 531 20 59-99 | 10 1463 30 | 1 | | | | | | |
| 19 | 531 21 05-39 | 10 1462 11 | 1 | YELLOW | | | | | |
| 19 | 531 20 59-81 | 10 1462 1V | 1 | ORANGE | | | | | |
| 20 | 531 21 07-35 | 10 1501 71 | 1 | YELLOW | | | | | |
| 20 | 531 21 10-78 | 10 1501 7V | 1 | ORANGE | | | | | |
| 21 | 531 20 60-10 | 10 1464 90 | 4 | YELLOW | | | | | |
| 21 | 531 21 05-74 | 10 1464 9V | 4 | ORANGE | | | | | |
| 22 | 531 20 50-42 | 10 1200 90 | 4 | | | | | | |
| 23 | 531 20 60-15 | 10 1465 03 | 4 | Ø 160 | | | | | |
| 24 | 531 20 79-78 | 20 1017 00 | 12 | M10 | | | | | |
| 25 | 531 20 89-74 | 30 1021 00 | 8 | Ø 10E | | | | | |
| 26 | 531 20 79-89 | 20 1130 00 | 4 | Ø 10,5/30 | | | | | |
| 27 | 531 20 72-42 | 10 5316 00 | 1 | | | | | | |
| 28 | 531 20 72-43 | 10 5317 00 | 1 | | | | | | |
| 29 | 531 20 62-16 | 10 1580 13 | 1 | cm.40 | | | | | |
| 30 | 531 20 72-37 | 10 5309 00 | 1 | | | | | | |
| 31 | 531 20 80-08 | 20 1205 80 | 1 | TEØ3/8" | | | | | |
| 32 | 531 20 51-96 | 10 1217 00 | 3 | UNFx37 | | | | | |
| 33 | 531 20 49-07 | 10 1009 00 | 1 | TE M8x35 | | | | | |
| 34 | 531 20 79-81 | 20 1062 00 | 6 | 4x6,5 | | | | | |
| | | | | Ø 8E | | | | | |