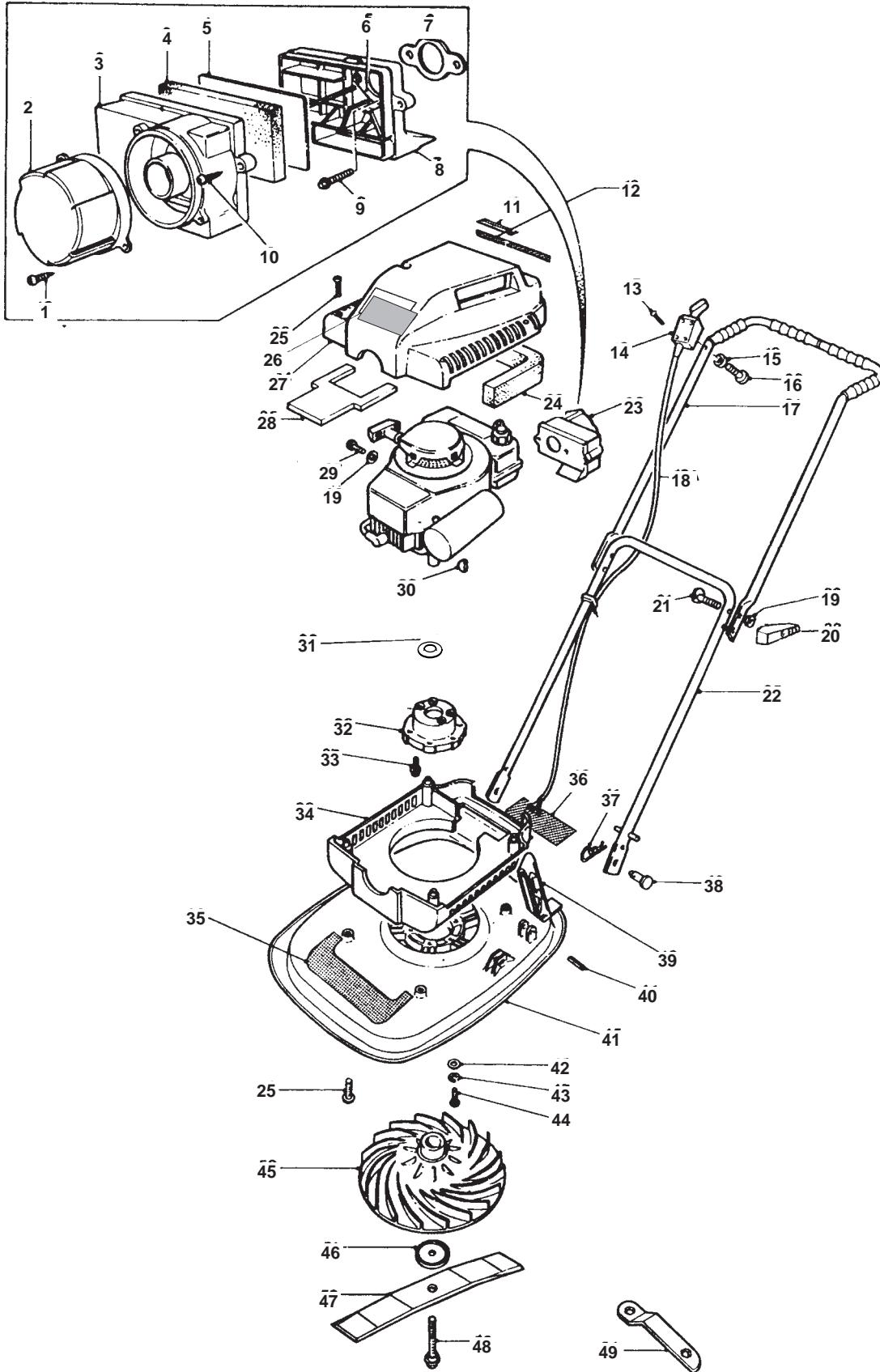


MODEL	L38
PRODUCT NO.	9630146



# Flymo

<b>MODEL</b>	<b>L38</b>
<b>PRODUCT NO.</b>	<b>9630146</b>



KEY PART NUMBER	DESCRIPTION	QTY	KEY PART NUMBER	DESCRIPTION	QTY		
01	5140866-00/4	SCREW	2	44	5141585-01/7	SCREW	6
02	5126163-04/6	CAP,INTAKE	1	45	5116968-00/8	IMPELLER	1
03	5126077-03/0	FILTER RETAINER	1	46	5140001-00/8	BLADE SPACER	3
04	5141659-01/0	FILTER,FOAM	1	47	5130225-01/3	BLADE 38CM	1
05	5141660-00/0	FILTER,CLOTH	1	48	5146677-04/1	BLADE BOLT	1
06	5141685-00/7	SPACER	1	49	5130109-00/1	SPANNER	1
07	5141686-00/5	GASKET	1				
08	5120377-04/8	FILTER HOUSING	1				
09	5141687-00/3	SCREW	2				
10	5146045-01/7	SCREW	2				
11	5149172-00/8	LABEL,FUEL MIXTURE	1				
12	5137535-00/0	LABEL,CHOKE/SHUT OFF	1				
13	5140508-00/2	SCREW	4				
14	5136499-02/6	SWITCH & CABLE	1				
15	5146338-00/8	WASHER	1				
16	5146731-00/4	SCREW	1				
17	5116120-16/2	HANDLE,UPPER,C/W GRIP	1				
18	5140510-05/7	CABLE	1				
19	5140266-00/7	WASHER	3				
20	5137679-00/6	WING KNOB	2				
21	5148672-00/8	HANDLE BOLT	2				
22	5126696-06/0	HANDLE,LOWER	1				
23	5110407-04/5	TURBO FILTER ASSY	1				
24	5146580-01/3	FILTER	1				
25	5146045-03/3	SCREW	8				
26	5149111-00/6	LABEL,UPPER COWL	1				
27	5106192-68/4	COWL,UPPER	1				
28	5126533-00/8	INSULATION,UPPER COWL	1				
29	5146329-00/7	SCREW	1				
30	5140053-00/9	KEY	1				
31	5141737-03/0	PROTECTION SLINGER	1				
32	5116765-00/8	ADAPTOR PLATE	1				
33	5141557-00/8	SCREW	4				
34	5106193-04/7	COWL,LOWER	1				
35	5126598-01/9	LABEL,FLYMO	1				
36	5146485-00/7	LABEL,WARNING	1 GB.				
	5138216-00/6	LABEL,WARNING	1 F.B.NL.A.D.CH.E.P.I.GB.				
	5138217-00/4	LABEL,WARNING	1 N.DK.S.SF.				
37	5140423-00/4	PIN,RETAINING	2				
38	5140092-03/1	PIVOT PIN	2				
39	5116388-04/1	LEVER,UP STOP	1				
40	5147029-01/0	ROLL PIN	1				
41	5147924-12/9	HOOD ASSY C/W UPSTOP	1				
42	5146309-00/9	WASHER	6				
43	5147524-00/2	WASHER,SPRING	6				

**PRODUCT APPLICATION**

**9630146-51 GB**                      **9630146-54 E.P.I.**  
**9630146-52 A.B.CH.F.NL.**            **9630146-57 F.B.NL.A.D.CH.E.P.I.GB.**  
**9630146-53 N.DK.S.SF.**

**WHERE NO APPLICATION DETAILS ARE SHOWN, PART APPLIES TO ALL COUNTRIES**

A Austria; AUS Australia; B Belgium; CND Canada; CH Switzerland; D Germany; DK Denmark; E Spain; EI Eire; F France; GB Great Britain; I Italy; N Norway; NL Netherlands; NZ New Zealand; O/S Overseas; P Portugal; S Sweden; SF Finland; USA America; ZA South Africa