

# Flymo

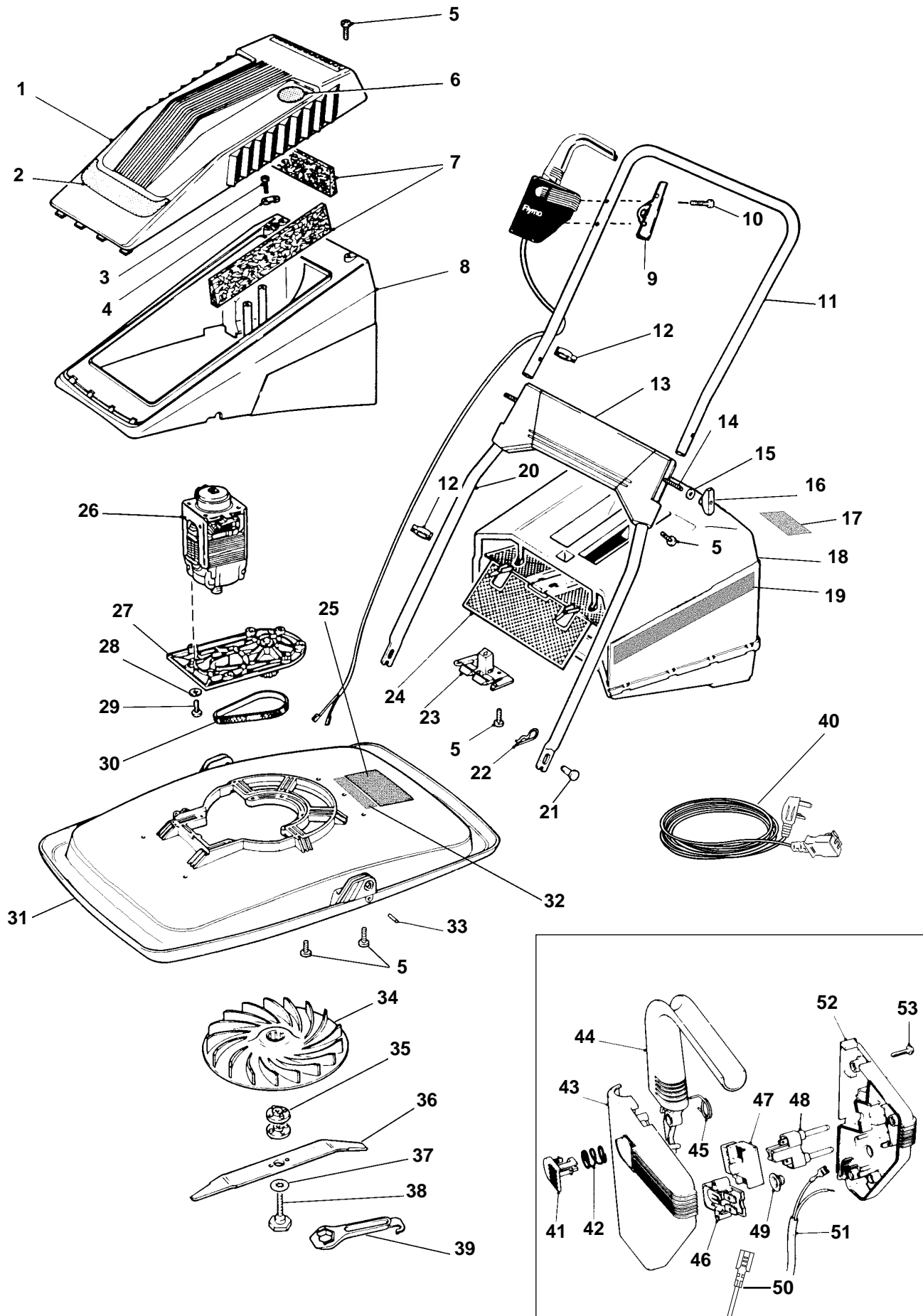
MODEL

Hovervac HV4000

PRODUCT NO.

9634022, 9634024

2



# Flymo

|             |                  |
|-------------|------------------|
| MODEL       | Hovervac HV4000  |
| PRODUCT NO. | 9634022, 9634024 |



| KEY | PART NUMBER  | DESCRIPTION                | QTY |
|-----|--------------|----------------------------|-----|
| 01  | 5117343-03/7 | COWL,UPPER                 | 1   |
| 02  | 5126732-01/4 | LABEL,FLYMO                | 1   |
| 03  | 5146941-00/9 | SCREW                      | 2   |
| 04  | 5140705-00/4 | CABLE CLAMP                | 1   |
| 05  | 5148649-01/4 | SCREW                      | 24  |
| 06  | 5137855-01/0 | LABEL,AUTOSTOP             | 1   |
| 07  | 5138096-00/2 | FILTER                     | 3   |
| 08  | 5106375-68/5 | COWL,LOWER                 | 1   |
| 09  | 5117659-01/0 | RETAINER,SWITCHBOX         | 1   |
| 10  | 5146672-00/0 | SCREW                      | 2   |
| 11  | 5126816-23/9 | HANDLE/LABEL ASSY          | 1   |
| 12  | 5137750-00/5 | CABLE CLIP                 | 2   |
| 13  | 5106435-01/8 | CONSOLE                    | 1   |
| 14  | 5148859-00/1 | BOLT,SQUARE HEAD           | 2   |
| 15  | 5140266-00/7 | WASHER                     | 2   |
| 16  | 5137679-00/6 | WING KNOB                  | 2   |
| 17  | 5149125-00/6 | LABEL,POWERFILL            | 1   |
| 18  | 5137966-01/5 | GRASSBOX                   | 1   |
| 19  | 5127325-00/8 | LABEL,HOVERVAC             | 2   |
| 20  | 5117401-01/7 | HANDLE,LOWER               | 1   |
| 21  | 5140092-03/1 | PIVOT PIN                  | 2   |
| 22  | 5140423-00/4 | PIN,RETAINING              | 2   |
| 23  | 5126989-00/2 | GRASSBOX CLIP              | 1   |
| 24  | 5106571-00/2 | SCREEN,GRASSBOX            | 1   |
| 25  | 5138319-00/8 | LABEL WARNING              | 1   |
| 26  | 5150010-01/4 | MOTOR,240V                 | 1   |
|     | 5150010-00/6 | MOTOR,230V                 | 1   |
| 27  | 5137968-00/3 | BASEPLATE/PULLEY ASSY      | 1   |
| 28  | 5140943-00/1 | WASHER                     | 4   |
| 29  | 5148696-01/5 | MOTOR SCREW                | 4   |
| 30  | 5137872-00/7 | DRIVE BELT                 | 1   |
| 31  | 5137978-00/2 | HOOD/LABEL ASSY-40CM       | 1   |
| 32  | 5149122-00/3 | LABEL,MOW AHEAD            | 1   |
| 33  | 5147594-00/5 | PIN                        | 2   |
| 34  | 5117227-01/6 | IMPELLER                   | 1   |
| 35  | 5138110-01/9 | BLADE SPACER PEGGED        | 3   |
| 36  | 5126995-00/9 | BLADE 40CM                 | 1   |
| 37  | 5148259-00/4 | WASHER,ANTI FRICTION PTFE  | 1   |
| 38  | 5137608-00/5 | BLADE BOLT C/W PTFE WASHER | 1   |
| 39  | 5126682-00/3 | SPANNER/SCRAPER            | 1   |
| 40  | 5127250-03/2 | MAINS LEAD                 | 1   |
| 41  | 5127008-00/0 | LOCK OFF                   | 1   |
| 42  | 5148658-00/7 | SPRING,LOCK OFF            | 1   |
| 43  | 5106539-01/7 | SWITCHBOX UPPER            | 1   |
| 44  | 5106481-01/2 | LEVER                      | 1   |
| 45  | 5148657-00/9 | SPRING,TORSION             | 1   |
| 46  | 5127255-00/7 | THERMAL CUT-OUT            | 1   |
| 47  | 5137786-00/9 | SWITCH                     | 1   |
| 48  | 5137686-00/1 | PIN RETAINER               | 1   |
| 49  | 5149024-00/1 | CUT-OUT COVER              | 1   |
| 50  | 5148773-00/4 | LEAD,INTERNAL              | 1   |
| 51  | 5148814-20/4 | LEAD                       | 1   |
| 52  | 5106538-01/9 | SWITCHBOX LOWER            | 1   |
| 53  | 5146672-00/0 | SCREW                      | 4   |

Use on Product No: 9634022 ONLY

#### PRODUCT APPLICATION

9634022-01 GB

9634024-01 GB.

WHERE NO APPLICATION DETAILS ARE SHOWN, PART APPLIES TO ALL COUNTRIES

A Austria; AUS Australia; B Belgium; CND Canada; CH Switzerland; D Germany; DK Denmark; E Spain; EI Eire; F France; GB Great Britain; I Italy; N Norway; NL Netherlands; NZ New Zealand; O/S Overseas; P Portugal; S Sweden; SF Finland; USA America; ZA South Africa