



IPL, Hover Vac Dual Handle, 9632574-01, 2005-11

Replaces AP0411001

# Hover Vac Dual Handle



Factory:

Product Group:

Sub Group:

Publication Date:

Publication Number:

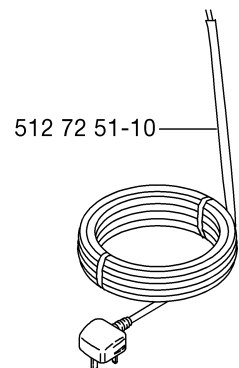
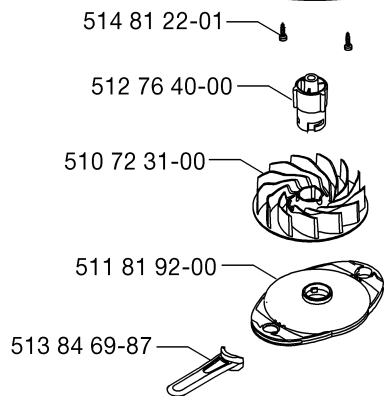
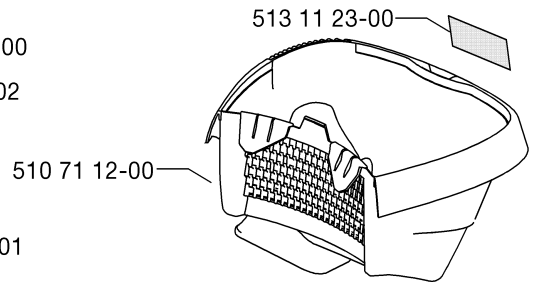
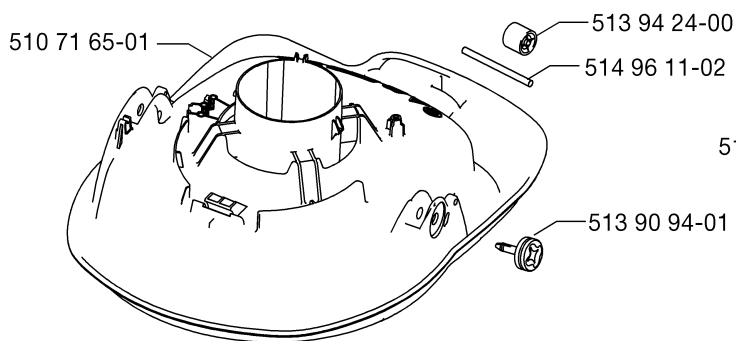
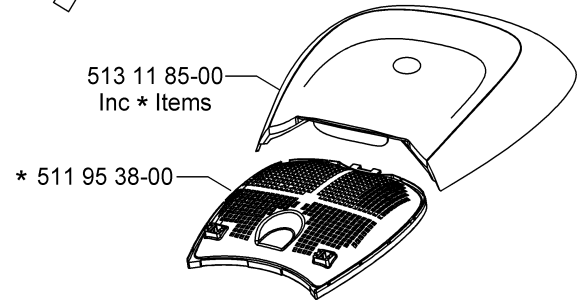
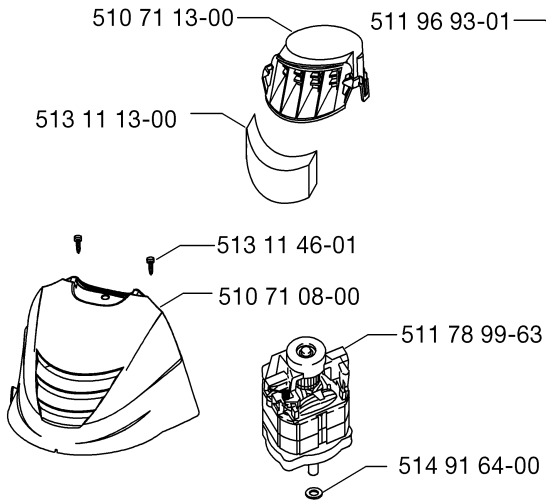
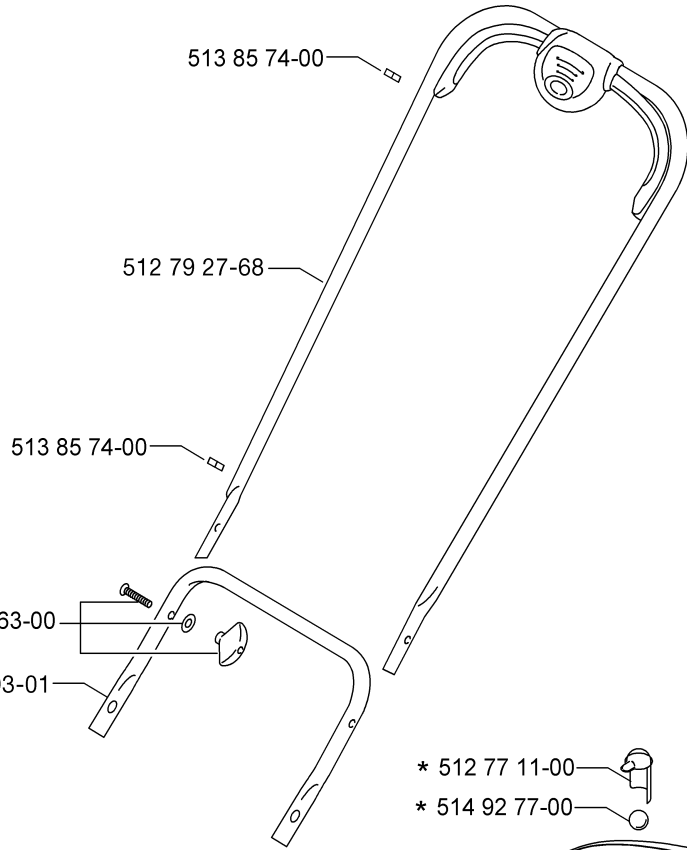
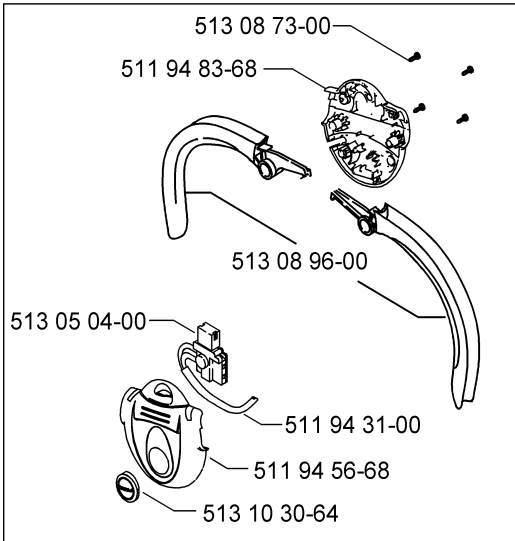
FLM - Newton Aycliffe

OM 78

Electric Hover: 7890

14/11/05

AP0511004



**IPL, Hover Vac Dual Handle, 9632574-01, 2005-11**

<b>Part Number</b>	<b>Description</b>	<b>Qty</b>	<b>Note</b>
510 71 08-00	COVER MOTOR	1	
510 71 12-00	GRASSBOX	1	
510 71 13-00	FILTER SUPPORT	1	
510 71 65-01	HOOD COLLECT GREY	1	
510 72 31-00	IMPELLER	1	
511 78 99-63	MOTOR AMETEK 38MM STACK	1	
511 81 92-00	CUTTING DISC (28CM)	1	
511 94 31-00	LEAD KIT	1	
511 94 56-68	SWITCHBOX UPPER GREY	1	
511 94 83-68	SWITCHBOX LOWER HARDWIRED	1	
511 95 38-00	SCREEN-GB LID	1	
511 96 93-01	HDL LWR PAINTED M&V TWIN	1	
512 72 51-03	CABLE EXT AND PLUG	1	
512 76 40-00	IMPELLER MOUNTING HUB	1	
512 77 11-00	LENS:INDICATOR	1	
512 79 27-68	HANDLE UPPER-PLASTIC COATED	1	
512 81 55-64	WING KNOB (CUSTOMER ASSY)	2	
513 05 04-00	SWITCH 8A 250V	1	
513 07 10-01	LEAD ASSY	1	
513 08 73-00	SCREW NO6X19 POLYMATE PAN/HD	4	
513 08 73-00	SCREW NO6X19 POLYMATE PAN/HD	1	
513 08 96-00	SWITCHBOX LEVERS KIT	1	
513 10 30-64	BUTTON LOCK-OFF ORANGE	1	
513 11 13-00	FILTER	1	
513 11 23-00	LABEL WARNING-GRASSBOX	1	
513 11 46-01	SCREW 5MM PTTTHREAD POSI PAN	2	
513 11 85-00	LID SCREEN ASSY	1	
513 84 69-87	BLADE	2	
513 85 74-00	CABLE CLIP	2	
513 90 94-01	PIN PIVOT	2	
513 94 24-00	ROLLER SEGMENT	1	
514 81 22-01	SCREW PLASTITE NO.10X19MM LG	2	
514 91 64-00	WASHER 8MM	1	
514 92 77-00	BALL (YELLOW)	1	
514 96 11-02	AXLE TUBE	1	