



**ELECTROLUX OUTDOOR PRODUCTS**

| <b>PNC</b>                          | <b>Type/Prefix/nd</b> | <b>Model</b>          |          | <b>Brand</b> |
|-------------------------------------|-----------------------|-----------------------|----------|--------------|
| 953900327<br>953900488              | 02                    | FOLIAGE 6-60<br>" "   | (yellow) | McCulloch    |
| 953900328                           | 02                    | FOLIAGE 6-70          | (yellow) | McCulloch    |
| 953900337<br>953900341<br>953900490 | 02                    | HT 6-60<br>" "<br>" " | (orange) | FLYMO        |
| 953900338                           | 02                    | HT 6-70               | (orange) | FLYMO        |
| 953900609                           | 02                    | HE 6-60               | (yellow) | PARTNER      |

**Number of Pages 1 of 3**

|   |                             |
|---|-----------------------------|
| <b>Factory: IIQ - Valmadrera</b>              | <b>Product Group: OP 93</b> |
| <b>Publication Number: EIPL2005_VP0501004</b> | <b>Petrol Portable</b>      |
| <b>Publication Date: 05/02/05</b>             | <b>Sub Group 7886</b>       |

 ***The Electrolux Group. The world's No.1 choice.***

## Service

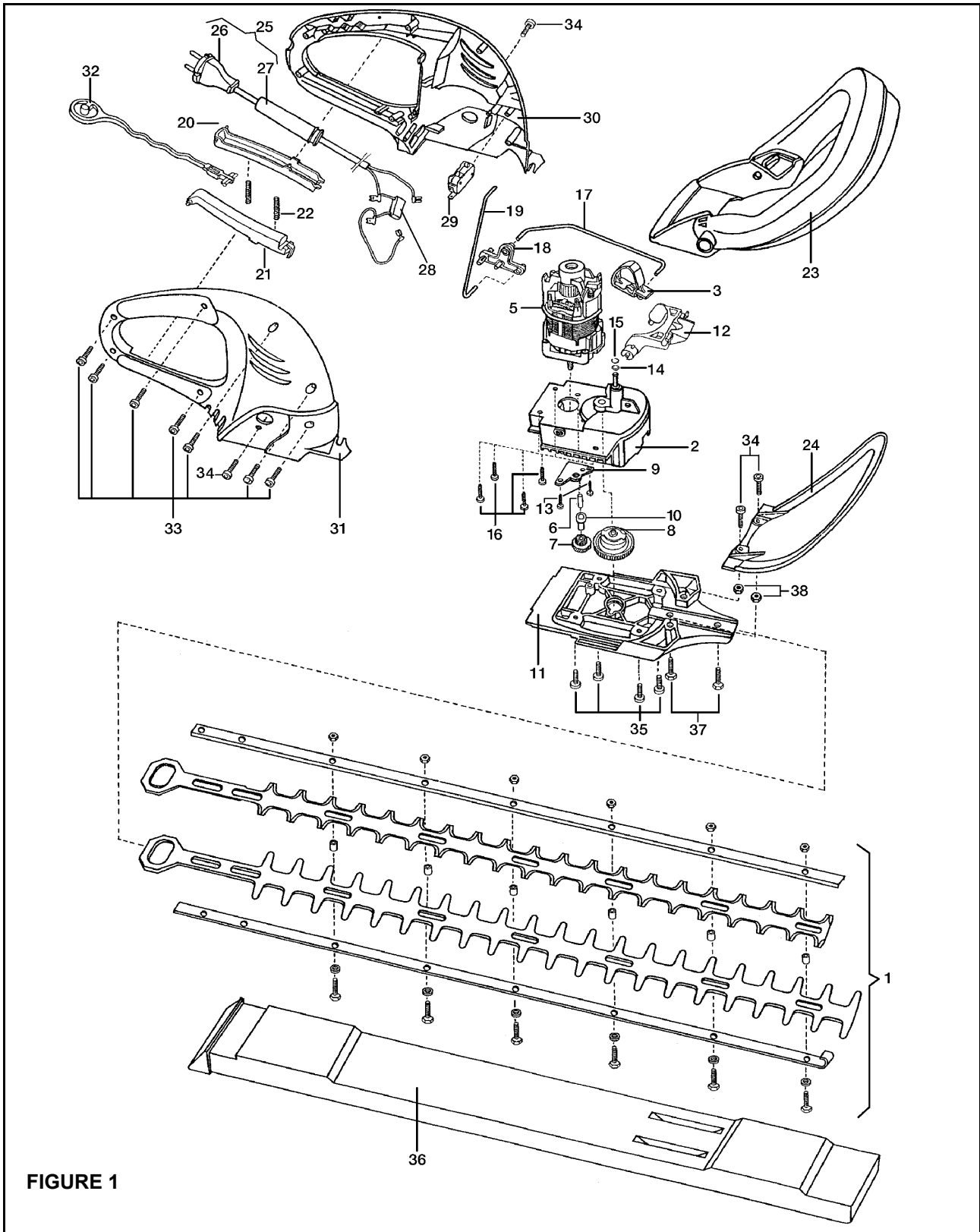


FIGURE 1

| Item | P/N McC | P/N ELX | Qty | DESCRIPTION |
|------|---------|---------|-----|-------------|
|------|---------|---------|-----|-------------|

| Item | P/N McC | P/N ELX | Qty | DESCRIPTION |
|------|---------|---------|-----|-------------|
|------|---------|---------|-----|-------------|

|                 |
|-----------------|
| <b>FIGURE 1</b> |
|-----------------|

|      |          |           |   |                                   |
|------|----------|-----------|---|-----------------------------------|
| C 1  | 249683   | 538249683 | 1 | 6-60 blade ass'y                  |
|      | 249684   | 538249684 | 1 | 6-70 blade ass'y                  |
| 2    | 248864   | 538248864 | 1 | 600W motor box                    |
| C 3  | 248865   | 538248865 | 1 | toggle lever                      |
| 4    | 248866   | 538248866 | 1 | dust cover                        |
| C 5  | 248868   | 538248868 | 1 | 600W motor                        |
| 6    | 248869   | 538248869 | 1 | pin                               |
| C 7  | 248870   | 538248870 | 1 | pinion gear                       |
| C 8  | 249685   | 538249685 | 1 | 600W motor gear                   |
| 9    | 248873   | 538248873 | 1 | metal strap                       |
| 10   | 248874   | 538248874 | 1 | spacer                            |
| 11   | 248875   | 538248875 | 1 | keep plate                        |
|      | 248876   | 538248876 | 1 | grey keep plate                   |
| 12   | 248877   | 538248877 | 1 | linkage                           |
| C 13 | 248880   | 538248880 | 2 | strap/pinion locking screw        |
| 14   | 248881   | 538248881 | 1 | washer                            |
| 15   | 248882   | 538248882 | 1 | retaining ring                    |
| 16   | 248883   | 538248883 | 4 | motor box locking screw           |
| 17   | 248878   | 538248878 | 1 | lower engaging lever              |
| C 18 | 242342   | 538242342 | 1 | control lever                     |
| 19   | 242343   | 538242343 | 1 | upper connecting rod              |
| 20   | 242344   | 538242344 | 1 | upper control lever               |
|      | 242359   | 538242359 | 1 | grey upper control lever          |
| 21   | 242345   | 538242345 | 1 | lower control lever               |
|      | 242360   | 538242360 | 1 | grey lower control lever          |
| 22   | 242346   | 538242346 | 2 | control lever spring              |
| 23   | 242348   | 538242348 | 1 | handle ass'y                      |
|      | 242361   | 538242361 | 1 | grey handle ass'y                 |
| C 24 | 242347   | 538242347 | 1 | guard                             |
| 25   | 242352   | 538242352 | 1 | wires (Schuko)                    |
| 25   | 242396   | 538242396 | 1 | wires (UK)                        |
| 26   | • 242353 | 538242353 | 1 | cable+pin (Schuko)                |
|      | • 242397 | 538242397 | 1 | cable+pin (UK)                    |
| 27   | • 241051 | 538241051 | 1 | fair lead                         |
| 28   | • 240794 | 538240794 | 1 | radio interference suppressor     |
| B 29 | • 242354 | 538242354 | 1 | micro switch                      |
| 30   | 242262   | 538242262 | 1 | left crankcase (2 switch)         |
|      | 242391   | 538242391 | 1 | orange left crankcase (2 switch)  |
| 31   | 242263   | 538242263 | 1 | right crankcase (2 switch)        |
|      | 242392   | 538242392 | 1 | orange right crankcase (2 switch) |
| 32   | 242266   | 538242266 | 1 | wire holder                       |
| 33   | 240862   | 538240862 | 7 | M4x18 screw                       |
| 34   | 242349   | 538242349 | 4 | M6 screw                          |
| 35   | 242350   | 538242350 | 4 | M5 screw                          |
| 36   | 242351   | 538242351 | 1 | blades case                       |
| 37   | 229959   | 538229959 | 2 | M6x20 screw                       |
| 38   | 217403   | 538217403 | 2 | M6 nut                            |

A=ALTA ROTAZIONE  
 B=MEDIA ROTAZIONE  
 C=ALTA ROTAZIONE  
 NUOVI CODICI

A=HIGH MOVING  
 B=MEDIUM MOVING  
 C=SLOW MOVING  
 NEW P. NUMBERS

A=HAUTE DEMANDE  
 B=MOYENNE DEMANDE  
 C=BASSE DEMANDE  
 NOUVELLES REFERENCES

A=GROBE NACHFRAGE  
 B=MITTELMAESSIGE  
 C=WENIGE NACHFRAGE  
 NEU CODEX