

brand **Flymo**

date **31.10.2003** Sheet **1/2**

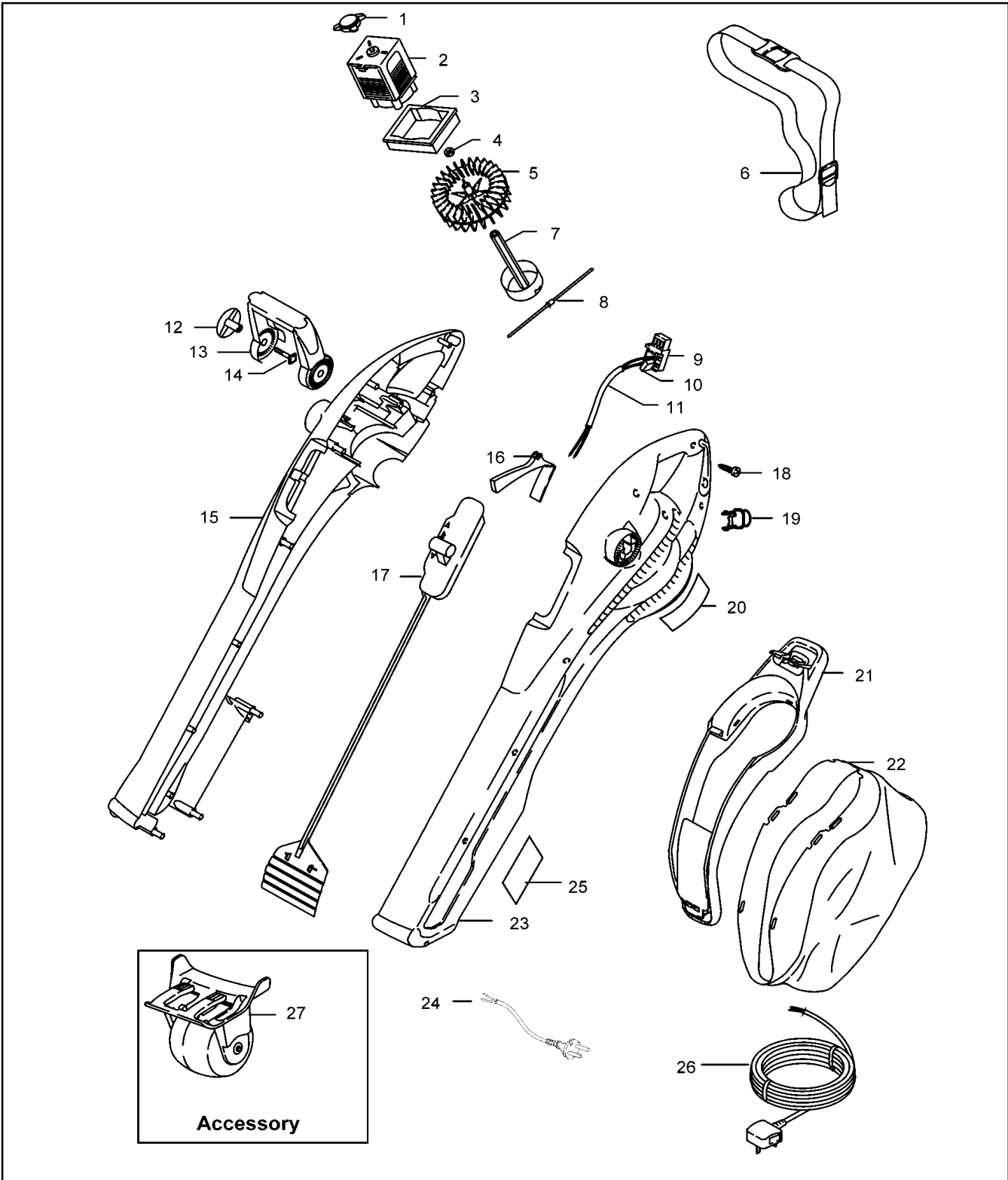
Publication No. **AP0310004**

Model

Gardenvac 1800 Turbo
Gardenvac 1800 Turbo

Product Number

9648631-01(UK)
9648631-62(Eu)



brand	Flymo
-------	-------

date	31.10.2003	Sheet 2/2
------	------------	-----------

Gardenvac 1800 Turbo

pos	Part No	Description	Qty	pos	Part No	Description	Qty
1	*	5131181-00/9	Suspension Bush	1			
2		5117899-62/4	Motor kit	1			
		supplied with * items					
3		5138592-00/0	Suspension Ring	1			
4		5149164-00/5	Washer	1			
5		5118377-60/4	Impeller	1			
6		5139366-00/8	Strap	1			
7		5119308-68/1	Cutting Head	1			
8		5138593-80/0	Shredding Line	1			
		Pre Pack (x5)					
9		5138609-00/2	Switch	1			
10		5149866-00/5	Capacitor	1			
11	*	5138604-03/7	Internal Lead	1			
		Assembly					
12		5127577-68/1	Wing Knob	2			
13		5118099-68/7	Handle Front	1			
14		5148859-01/9	Bolt	2			
15		5149841-04/0	Clamshell Kit	1			
16		5128037-68/5	Switch Actuator	1			
17		5106849-68/9	Valve Mechanism	1			
18		5146672-00/0	Screw	12			
19		5127732-68/2	Cord anchor	1			
20		5131173-00/6	Warning Label	1			
21		5130587-68/5	Bag Frame	1			
		Assembly					
22		5106848-00/4	Debris Bag	1			
23		5149841-04/0	Clamshell Kit	1			
24	Eu	5147000-40/9	Lead	1			
25		5130954-00/0	Model Label	1			
26	UK	5127251-10/5	Extension cable	1			
27		5118400-00/0	Wheel assembly	1			
		(Not Included)					