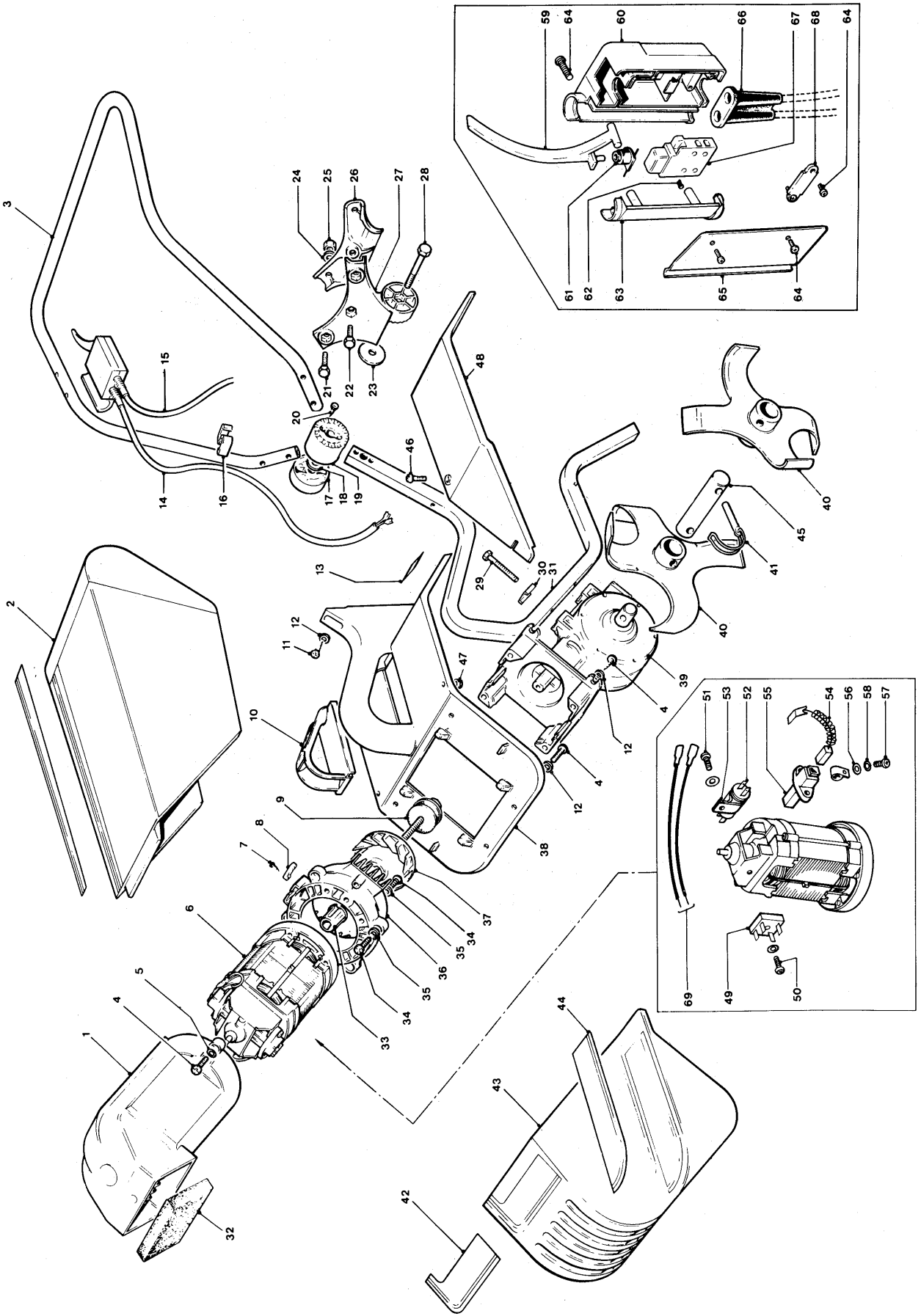


## GME 9648001



Flymo

## GME 9648001

KEY No.	PART No.	DESCRIPTION	QUANTITY	COMMENTS/ APPLICATION	KEY No.	PART No.	DESCRIPTION	QUANTITY	COMMENTS/ APPLICATION
1	5116402-00/8	FILTER SUPPORT	1		45	5147078-00/9	EXTENSION SHAFT	2	
2	5106063-00/0	CARRIER BOX ASSY	1		46	5147128-00/2	SCREW	4	
3	5147231-00/4	HANDLE UPPER PLASTIC COATED	1		47	5147085-00/4	NUT	4	
	5136573-03/6	HANDLE CORD GUIDE ASSY	1	D.	48	5116424-02/8	SIDE GUARD EXT (PAIRS)	2	
4	5146824-00/7	SCREW	10	ALT USE 5147665-00/4	49	322814-00/5	RECTIFIER	1	
5	5140943-00/1	WASHER	1		50	322482-00/1	SCREW M4 x 16mm	1	
6	5116194-14/2	MOTOR 220 VOLT	1	NLA USE 5148040-01/6	51	7241287-40/3	SCREW 4mm	1	
7	5146672-00/0	SCREW GKN POLYMATE	2		52	323183-00/4	SUPPRESSOR	1	
8	5140705-00/4	CABLE CLAMP	1		53	323017-00/4	CLIP	1	
9	5126291-00/3	COUPLING	1		54	322824-00/4	CARBON BRUSH	2	
10	5126271-00/5	HANDLE INSERT	1		55	322819-00/4	BRUSH HOUSING	2	
11	5141725-02/7	SCREW TAPTITE	1		56	7351136-00/2	SPRING WASHER	4	
12	5140943-00/1	WASHER	9		57	322482-00/1	SCREW M4 x 16mm	4	
13	5147079-00/7	LABEL WARNING	1	GB.O/S.E.P.	58	29100-00/5	WASHER	4	
	5147219-00/9	LABEL WARNING	1	A.D.	59	5136182-01/0	LEVER SWITCH	1	
	5147225-01/4	LABEL WARNING	1	N.	60	5116494-01/3	SWITCHBOX BODY 16mm	1	
	5147845-00/1	LABEL WARNING	1	DK.	61	5130406-01/9	SEAL CONE	1	
	5147218-00/1	LABEL WARNING	1	F.	62	5141605-00/5	SCREW	4	
	5147220-00/7	LABEL WARNING	1	NL.	63	5126290-00/5	SWITCHBOX RETAINER 16mm	1	
	5147222-00/3	LABEL WARNING	1	I.	64	5146672-00/0	SCREW GKN POLYMATE	6	
14	5147001-06/8	LEAD INTERNAL	1		65	5116495-00/2	SWITCHBOX COVER	1	
15	5147001-07/6	LEAD TERMINAL 15.24M x 1mm	1	GB.O/S.E.P.	66	5141584-00/2	SLEEVE	1	
	5136621-00/9	LEAD TERMINAL C/W PLUG	1	GB. LATER PRODUCED PRODUCTS	67	5141586-14/8	SWITCH ON/OFF THERMAL CUT OUT	1	KOPP 2401-18
	5147000-02/9	LEAD TERMINAL	1	A.N.D.K.F.B.N.L.I.S.	64	5146616-00/7	CLAMP CABLE	1	
	5146361-03/4	LEAD TERMINAL C/W PLUG	1						
16	5140482-00/0	CABLE CLIP SMALL	1						
17	5147230-00/6	ADJUSTER KNOB	1						
18	5146309-00/9	WASHER	1						
19	5126250-01/7	HANDLE ADJUSTER	1						
20	5141725-02/7	SCREW TAPTITE	1						
21	5147179-01/3	SCREW	2						
22	5147179-02/1	SCREW	1						
23	5147181-00/1	WASHER WAVY	1						
24	5140266-00/7	WASHER	3						
25	5147180-00/3	NUT	3	ALT USE 5140551-00/2					
26	5116512-01/2	CLAMPING PLATE	1						
27	5106066-01/1	ADJUSTER UPPER	1						
28	5147182-00/9	BOLT ADJUSTER	1						
29	5147124-00/1	SCREW	2						
30	5147123-00/3	SADDLE CLAMP	2						
31	5116408-01/3	CHASSIS TUBE	1						
32	5136401-00/6	FILTER	1						
33	5136297-00/9	INSERT IMPELLER	1						
34	5141585-00/9	SCREW 1/4"-20 UNC x 19 LG	7						
35	5140266-00/7	WASHER	7						
36	5106072-00/1	MOTOR SUPPORT	1						
37	5116403-00/6	COOLING FAN	1						
38	5126299-00/6	STONE GUARD	1						
39	5106067-00/1	GEARBOX	1						
40	5126248-01/1	TINE	4						
41	5147055-00/7	PIN & CLIP ASSY	6						
42	5126253-00/3	LABEL	1						
43	5106064-01/6	COWL	1						
44	5126254-00/1	LABEL (LH & RH)	2						

## PRODUCT VARIANT

9648001-01 240v GB  
9648001-03 220v A

9648001-06 220v N-DK  
9648001-08 220v F-B-NL

9648001-09 220v D  
9648001-11 220v I

9648001-16 220v O/S-E-P  
9648001-51 240v GB