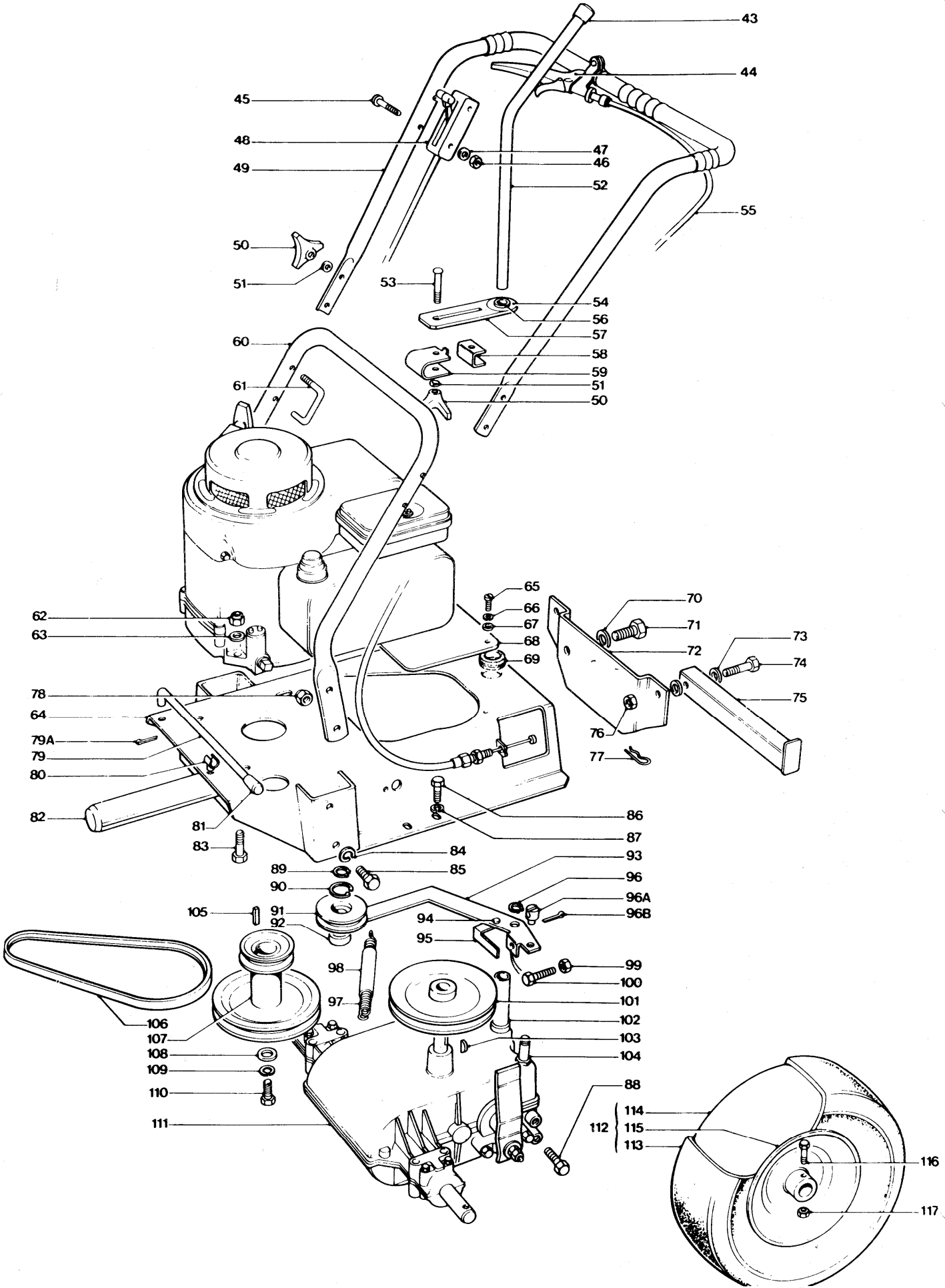




GCL UNITS 9631541 9631525
GCL UNITS 9631512 9631513

| KEY No. | PART No. | DESCRIPTION | QUANTITY | COMMENTS/ APPLICATION |
|---------|--------------|--------------------------|----------|--------------------------|
| 1 | 5146126-00/7 | STUD | 2 | |
| 2 | 5146128-00/3 | WASHER | 2 | |
| 3 | 5100023-01/8 | COWLING CUTTING UNIT | 1 | |
| 4 | 5116629-00/6 | LABEL GCL PROFESSIONAL | 1 | NO LONGER AVAILABLE |
| 5 | 5141360-01/5 | SCREW METRIC | 2 | |
| 6 | 5146301-00/6 | WASHER SPRING | 2 | |
| 7 | 5141361-01/3 | WASHER | 2 | |
| 8 | 5146032-23/9 | PULLEY | 2 | |
| 9 | 5147643-00/0 | KNOB | 1 | |
| 10 | 5136522-00/9 | ADJUSTING FORK WELD ASSY | 1 | |
| 11 | 5147808-00/9 | BELT V | 1 | CUTTING UNIT |
| 12 | 5141322-00/7 | CIRCLIP | 4 | |
| 13 | 5140053-00/9 | KEY | 2 | |
| 14 | 5141381-01/1 | SHAFT | 2 | |
| 15 | 5141321-00/9 | CIRCLIP | 4 | |
| 16 | 5141318-00/5 | BEARING | 4 | |
| 17 | 5141382-00/1 | SPACER BEARING HOUSING | 2 | |
| 18 | 5110335-01/4 | FRAME CUTTING ASSY | 1 | |
| 19 | 5116562-01/7 | V BELT CONTROL ASSY | 1 | |
| 20 | 5141131-01/0 | LOCK NUT M8 | 8 | |
| 21 | 5146895-00/7 | NUT 12MM | 3 | |
| 22 | 5141401-01/7 | SCREW | 2 | |
| 23 | 5147862-00/6 | ADJUSTING INSERT ASSY | 1 | |
| 24 | 5141398-01/5 | SCREW 12MM | 1 | |
| 25 | 5126018-01/8 | HOOK UPPER | 1 | |
| 26 | 5147238-00/9 | SPRING CLIP | 2 | ALT USE 5147238-01/7 |
| 27 | 5141693-01/9 | SPRING | 1 | |
| 28 | 5147569-00/7 | CLEVIS PIN 1/2"X3/4" LNG | 2 | |
| 29 | 5120127-00/5 | ENGINE BRACKET | 1 | |
| 29A | 5120350-00/3 | ENGINE BRACKET | 1 | |
| 30 | 5140164-01/2 | LOCK NUT M6 | 16 | |
| 31 | 5140281-04/8 | WASHER | 10 | |
| 32 | 5147081-00/3 | SCREW M8X35 LG | 8 | |
| 33 | 5110334-01/7 | HOOD 75CM | 1 | |
| 34 | 5146535-00/9 | LABEL WARNING | 1 | GB.O/S. |
| 34A | 5146487-00/3 | LABEL WARNING | 1 | A.B.F.D.NL.CH. |
| 34B | 5146489-00/9 | LABEL WARNING | 1 | DK.N.S.SF. |
| 34C | 5146534-00/2 | LABEL WARNING | 1 | I. |
| 35 | 5140069-01/3 | SCREW M6X20 LG CSK | 16 | |
| 36 | 5120069-00/9 | IMPELLER | 1 | |
| 37 | 5146031-00/9 | BOSS | 1 | |
| 38 | 5140001-00/8 | BLADE SPACER | 6 | |
| 39 | 5120338-00/8 | BLADE 38CM | 2 | |
| 40 | 5140154-02/1 | BUSH | 2 | |
| 41 | 5140027-00/3 | WASHER CONICAL | 2 | |
| 42 | 5140230-01/1 | BLADE BOLT | 2 | |

CHASSIS ASSY. 9631525

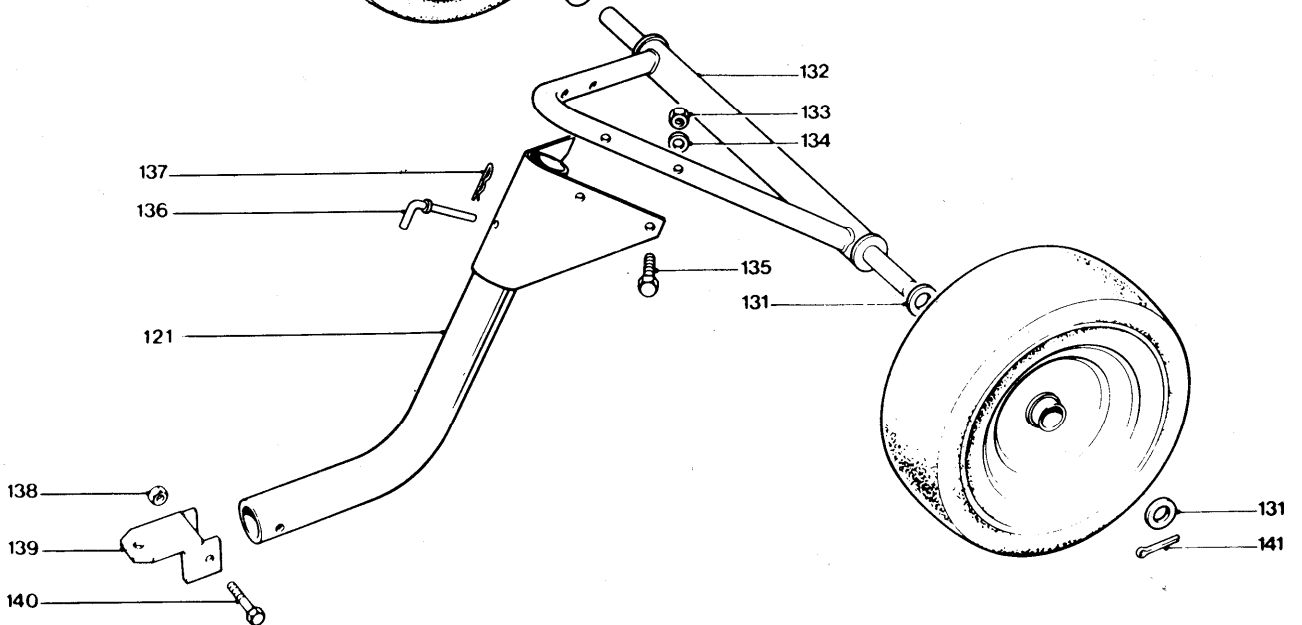
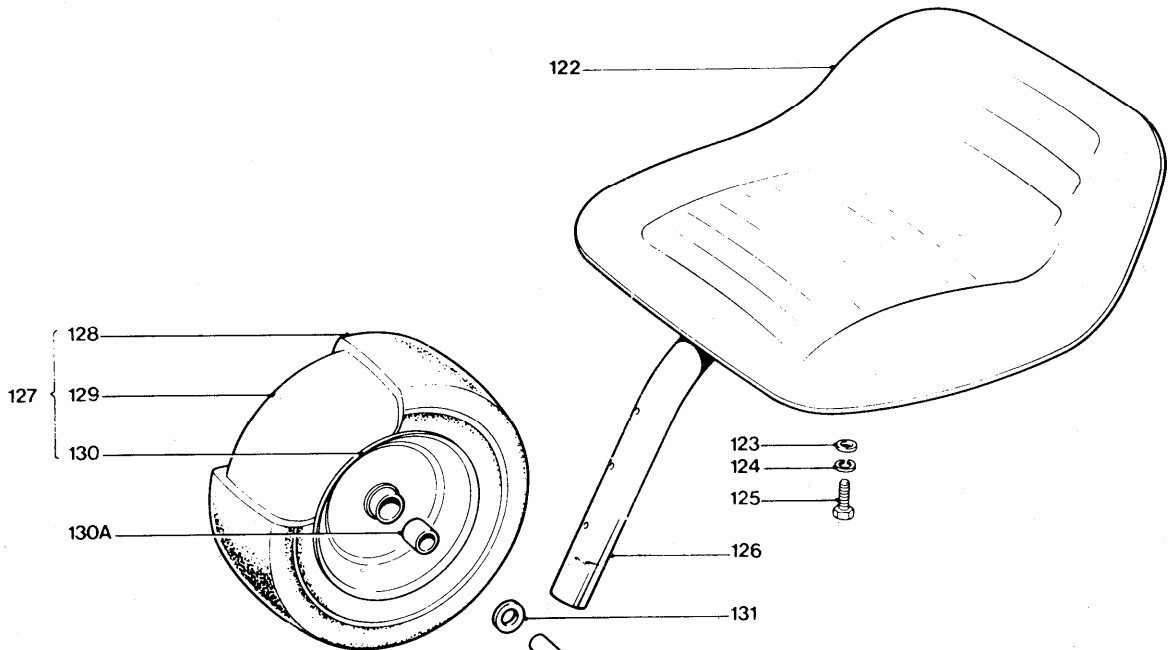
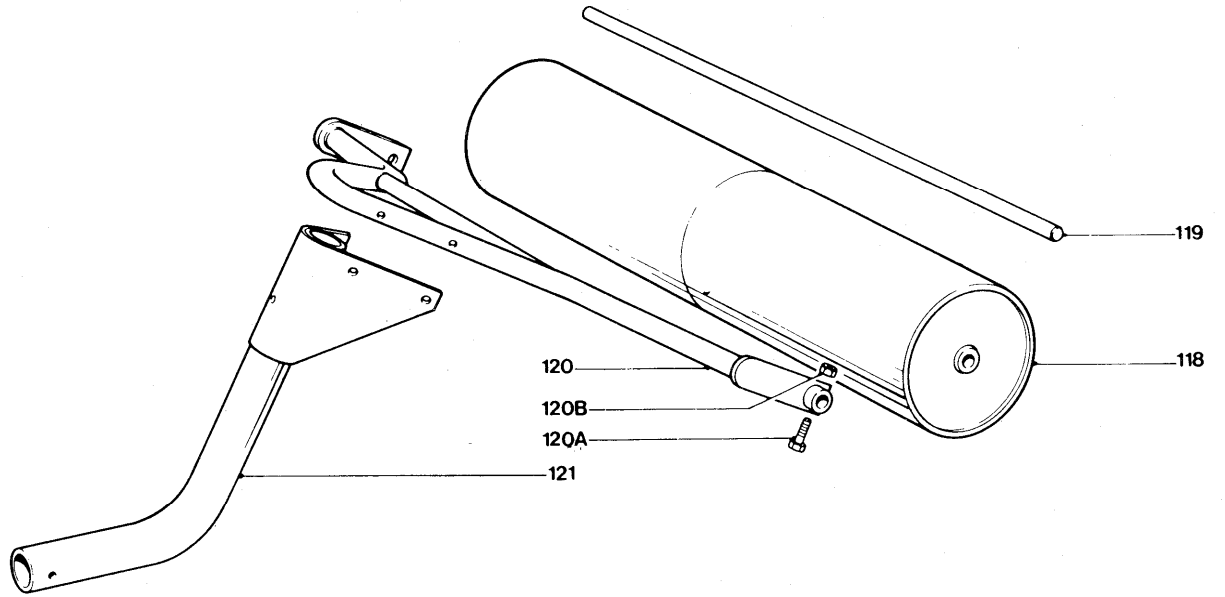




CHASSIS ASSY. 9631525

| KEY No. | PART No. | DESCRIPTION | QUANTITY | COMMENTS/ APPLICATION | KEY No. | PART No. | DESCRIPTION | QUANTITY | COMMENTS/ APPLICATION |
|---------|--------------|----------------------------|----------|--------------------------|---------|--------------|------------------------|----------|--------------------------|
| 43 | 5147616-00/6 | KNOB | 1 | | 89 | 5141314-00/4 | CIRCLIP | 1 | |
| 44 | 5136037-00/8 | COUPLING HANDLE | 1 | | 90 | 5141316-00/9 | CIRCLIP | 1 | |
| 45 | 5141338-02/9 | SCREW | 2 | | 91 | 5141315-00/1 | PULLEY | 1 | |
| 46 | 5140067-01/7 | LOCKNUT M5 | 2 | | 92 | 5141313-00/6 | BEARING | 1 | |
| 47 | 5141018-00/1 | WASHER | 2 | | 93 | 5126327-00/5 | CLUTCH/BRAKE ARM | 1 | |
| 48 | 5136578-00/1 | THROTTLE CONTROL ASSY | 1 | | 94 | 5147672-00/9 | PIVOT PIN | 1 | |
| 49 | 5106098-01/4 | HANDLE UPPER | 1 | | 95 | 5147671-00/1 | BRACKET BRAKE CONTROL | 1 | |
| 50 | 5140690-00/8 | KNOB WING | 3 | | 96 | 5141314-00/4 | CIRCLIP | 1 | |
| 51 | 5140266-00/7 | WASHER | 3 | | 96A | 5146190-00/3 | CABLE ANCHOR PIN | 1 | |
| 52 | 5126324-00/2 | GEARSTICK ASSY | 1 | | 96B | 5140279-01/8 | PIN COTTER | 1 | |
| 53 | 5146685-00/2 | BOLT HANDLE 1/4 UNC X 35LG | 1 | ALT USE 5146685-01/0 | 97 | 5147589-00/5 | SPRING | 1 | |
| 54 | 5147630-00/7 | LABEL GEARSTICK | 1 | | 98 | 5147663-00/8 | SLEEVE | 1 | |
| 55 | 5146191-00/1 | CABLE CLUTCH | 1 | | 99 | 5146933-00/6 | NUT M8 | 1 | |
| 56 | 5147579-00/6 | GROMMET | 1 | | 100 | 5147081-00/3 | SCREW M8 X 35 LG | 1 | |
| 57 | 5147585-01/1 | PLATE GEARSTICK | 1 | | 101 | 5136517-01/7 | PULLEY ASSY | 1 | |
| 58 | 5147571-00/3 | CLAMP SUPPORT | 1 | | 102 | 5147580-00/4 | GEARSTICK SUPPORT ASSY | 1 | |
| 59 | 5136511-00/2 | CLAMP GEARSTICK | 1 | | 103 | 5147609-00/1 | KEY T/AXLE INPUT SHAFT | 1 | |
| 60 | 5116559-00/5 | HANDLE LOWER | 1 | | 104 | 5147581-00/2 | STUD 3/8" BSW | 1 | |
| 61 | 5147542-00/4 | J. BOLT | 2 | | 104A | 5147588-00/7 | WASHER | 2 | |
| 62 | 5141131-00/2 | NUT | 4 | | 105 | 5141323-00/5 | KEY | 1 | |
| 63 | 5141010-00/8 | WASHER | 4 | | 106 | 5147587-01/7 | BELT 3V X 300 NOTCHED | 1 | ENGINE TO GEARBOX |
| 64 | 5106123-00/2 | CHASSIS WELD ASSY | 1 | NO LONGER AVAILABLE | 107 | 5136512-01/8 | PULLEY ASSY | 1 | |
| 65 | 5147614-00/1 | SCREW 1/4 28 X 16 LG | 2 | | 108 | 5147588-00/7 | WASHER | 1 | |
| 66 | 5140046-03/7 | WASHER SPRING | 2 | | 109 | 5146186-00/1 | WASHER | 1 | |
| 67 | 5141023-00/1 | WASHER | 2 | | 110 | 5147608-00/3 | SCREW 3/8" UNF 50 LG | 1 | |
| 68 | 5136577-00/3 | COVER | 1 | | 111 | 5106100-00/0 | TRANSAXLE PEERLESS 800 | 1 | OBTAIN FROM T/MOTOI |
| 69 | 5147579-01/4 | GROMMET | 1 | | 112 | 5126331-00/7 | WHEEL COMPLETE ASSY | 2 | |
| 70 | 5147749-00/5 | WASHER | 2 | | 113 | 5147437-00/7 | TYRE | 2 | |
| 71 | 5147748-00/7 | BOLT | 2 | | 114 | 5147438-00/5 | TUBE INNER | 2 | |
| 72 | 5126387-00/9 | SUPPORT (FOOTREST) | 1 | | 115 | 5136519-00/5 | WHEEL RIM | 2 | |
| 73 | 5141010-00/8 | WASHER | 4 | | 116 | 5147611-02/3 | BOLT M8 X 45 LG | 2 | |
| 74 | 5147611-03/1 | BOLT | 2 | | 117 | 5141131-01/0 | LOCK NUT M8 | 2 | |
| 75 | 5147746-00/1 | FOOTREST | 2 | | | | | | |
| 76 | 5141131-01/0 | LOCK NUT M8 | 2 | | | | | | |
| 77 | 5147238-00/9 | SPRING CLIP | 1 | ALT USE 5147238-01/7 | | | | | |
| 78 | 5147698-00/4 | NUT RETAINER | 4 | | | | | | |
| 79 | 5136516-00/1 | SPRING TENSION ARM ASSY | 1 | | | | | | |
| 79A | 5140279-01/8 | PIN COTTER | 1 | | | | | | |
| 80 | 5147610-00/9 | RETAINING CLIP | 1 | | | | | | |
| 81 | 5147644-00/8 | KNOB | 1 | | | | | | |
| 82 | 5126329-00/1 | HOOK UP ARM ASSY | 1 | | | | | | |
| 83 | 5147611-01/5 | BOLT M8 X 60 LG | 4 | | | | | | |
| 84 | 5140046-03/7 | WASHER SPRING | 4 | | | | | | |
| 85 | 5140864-00/9 | SCREW | 4 | | | | | | |
| 86 | 5147611-01/5 | BOLT M8 X 60 LG | 4 | | | | | | |
| 87 | 5141010-00/8 | WASHER | 4 | | | | | | |
| 88 | 5147613-00/3 | SCREW THREAD FORMING | 4 | | | | | | |

SULKY UNITS 9631512
9631513





SULKY UNITS 9631512 9631513

| KEY No. | PART No. | DESCRIPTION | QUANTITY | COMMENTS/ APPLICATION |
|---------|--------------|----------------------|----------|--------------------------|
| 118 | 5116602-00/3 | ROLLER REAR | 2 | |
| 119 | 5147657-00/0 | SHAFT ROLLER | 1 | |
| 120 | 5106111-00/7 | REAR ROLLER SUPPORT | 1 | |
| 120A | 5147611-02/3 | BOLT M8 X 45 LG | 2 | |
| 120B | 5141131-01/0 | LOCK NUT M8 | 2 | |
| 121 | 5116586-00/8 | ROLLER/SEAT SUPPORT | 1 | |
| 122 | 5126042-00/0 | SEAT | 1 | |
| 123 | 5141010-00/8 | WASHER | 4 | |
| 124 | 5140046-03/7 | WASHER SPRING | 4 | |
| 125 | 5140864-00/9 | SCREW | 4 | |
| 126 | 5116592-00/6 | SEAT SUPPORT | 1 | |
| 127 | 5120357-00/8 | WHEEL SULKY COMPLETE | 2 | |
| 128 | 5136050-00/1 | TYRE | 2 | |
| 129 | 5126010-00/7 | TUBE | 2 | |
| 130 | 5147439-00/3 | WHEEL RIM | 2 | |
| 130A | 5147440-00/1 | BUSH | 4 | |
| 131 | 5141445-00/6 | WASHER | 4 | |
| 132 | 5116587-00/6 | SEAT SUPPORT | 1 | |
| 133 | 5141131-01/0 | LOCK NUT M8 | 4 | |
| 134 | 5141010-00/8 | WASHER | 4 | |
| 135 | 5147611-02/3 | BOLT M8 X 45 LG | 4 | |
| 136 | 5147640-00/6 | PIN RETAINING | 1 | |
| 137 | 5147238-01/7 | SPRING CLIP | 1 | |
| 138 | 5147628-00/1 | NUT | 1 | |
| 139 | 5147637-00/2 | HITCH ASSY | 1 | |
| 140 | 5147627-00/3 | BOLT | 1 | |
| 141 | 5141446-00/4 | PIN SPLIT | 2 | |