

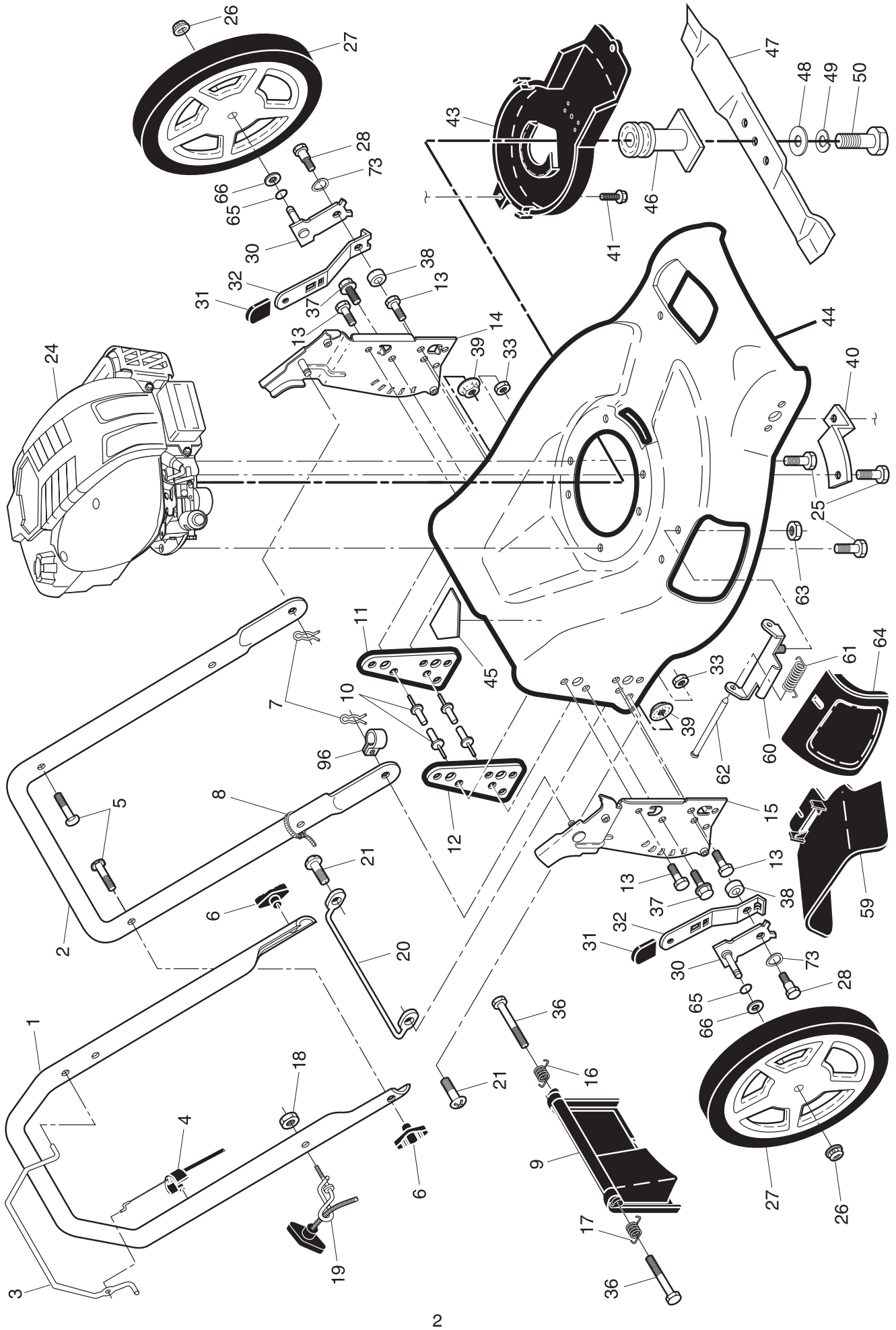
ILLUSTRATED PARTS LIST

MODEL NUMBER FL521D

PRODUCT NUMBER 961 41 01-19

MFG. ID. NUMBER 96141011903

ROTARY LAWN MOWER -- MODEL NUMBER FL521D (96141011903) PRODUCT NUMBER 961 41 01-19

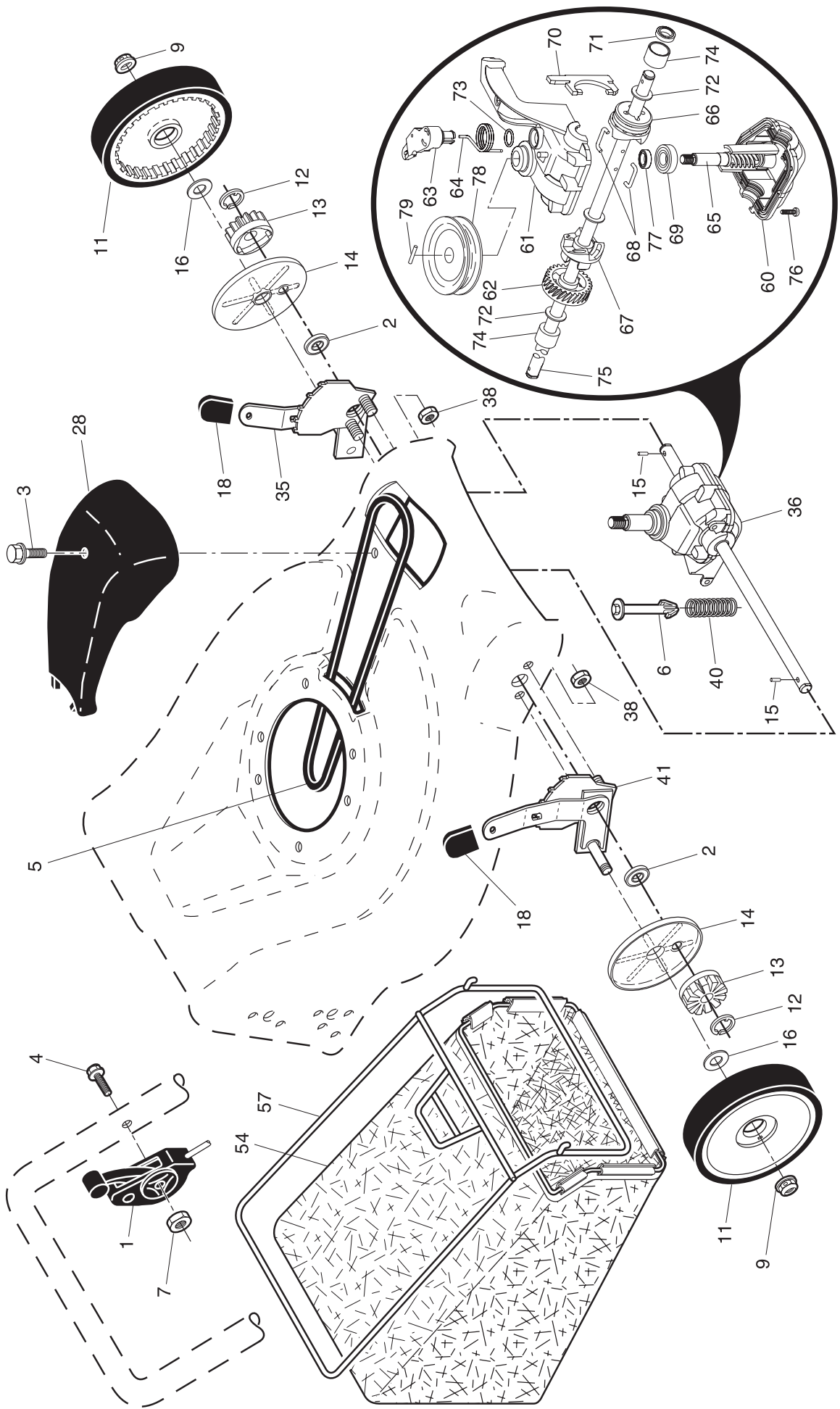


ROTARY LAWN MOWER - - MODEL NUMBER FL521D (96141011903) PRODUCT NUMBER 961 41 01-19

KEY NO.	PART NO.	DESCRIPTION	KEY NO.	PART NO.	DESCRIPTION
1	532 40 29-37	Upper Handle	36	532 18 41-93	Bolt
2	532 15 36-05	Lower Handle	37	874 78 05-12	Thread Cutting Screw w/Sems 5/16-18 x 3/4
3	532 18 99-03	Control Bar	38	532 40 16-29	Spacer
4	532 18 35-67	Engine Zone Control Cable	39	532 19 85-41	Nut, Hex 5/16-18
5	532 19 15-74	Handle Bolt	40	532 19 09-39	Mounting Bracket, Debris Shield
6	532 19 19-38	Handle Knob	41	532 19 23-25	Screw, Debris Shield
7	532 05 17-93	Hairpin Cotter	43	532 40 58-45	Debris Shield
8	532 06 64-26	Wire Tie	44	532 40 93-29	Lawn Mower Housing (Includes Key Numbers 10, 11, 12 and 45)
9	532 40 69-85	Rear Door	45	532 18 21-66	Danger Decal
10	532 12 84-15	Pop Rivet	46	532 40 46-33	Blade Adapter
11	532 41 05-40	Support Bracket, LH	47	532 19 93-77	Blade 21"
12	532 41 05-42	Support Bracket, RH	48	532 85 10-74	Hardened Washer
13	817 06 04-10	Screw 1/4-20 x 5/8	49	532 85 02-63	Helical Washer 3/8-24 x 1-3/8 Grade 8
14	532 18 25-43	Handle Bracket Assembly, LH	50	532 85 10-84	Hex Head Machine Screw 3/8-24 x 1-3/8 Grade 8
15	532 18 25-45	Handle Bracket Assembly, RH	59	532 17 50-71	Discharge Deflector
16	532 40 54-17	Spring, Rear Door, LH	60	532 17 57-35	Hinge Bracket Assembly
17	532 40 54-18	Spring, Rear Door, RH	61	532 19 30-00	Spring, Hinge
18	532 13 20-04	Locknut, Hex 1/4-20	62	532 17 56-50	Rod, Hinge
19	532 19 47-88	Rope Guide	63	873 80 04-00	Locknut, Hex 1/4-20
20	532 41 05-36	Foot Guard, C.E.	64	532 17 50-66	Mulcher Door
21	532 05 45-83	Screw, Tapping 1/4-20 x 1/2	65	532 19 74-80	O-Ring
24	- - -	Engine, Briggs & Stratton, Model Number 128602 (order parts from engine manufacturer)	66	532 08 83-48	Washer, Flat
25	532 15 04-06	Hex Head Thread Rolling Screw 3/8-16 x 1-1/8	73	532 40 16-30	Washer, Curved
26	532 40 91-49	Hex Flange Nut	96	532 19 79-91	Clip, Cable
27	532 40 31-22	Wheel & Tire Assembly	- -	532 18 21-34	Decal, Self-Propelled, Internal (not shown)
28	532 40 16-38	Shoulder Bolt 5/16-18 x .33	- -	532 40 96-73	Operator's Manual, European
30	532 41 31-41	Axle Arm Assembly, Rear	- -	532 40 96-74	Operator's Manual, Scandinavian
31	532 08 78-77	Selector Knob	- -	532 40 96-76	Operator's Manual, East Bloc
32	532 40 98-89	Selector Spring	- -	532 40 96-77	Operator's Manual, Baltic
33	873 80 05-00	Nut, Hex 5/16-18			

NOTE: All component dimensions given in U.S. inches. 1 inch = 25.4 mm. **IMPORTANT:** Use only Original Equipment Manufacturer (O.E.M.) replacement parts. Failure to do so could be hazardous, damage your lawn mower and void your warranty.

ROTARY LAWN MOWER -- MODEL NUMBER FL521D (96141011903) PRODUCT NUMBER 961 41 01-19



ROTARY LAWN MOWER - - MODEL NUMBER FL521D (96141011903) PRODUCT NUMBER 961 41 01-19

KEY NO.	PART NO.	DESCRIPTION	KEY NO.	PART NO.	DESCRIPTION
1	532 18 45-88	Drive Control Assembly (Includes Cable)	57	532 40 18-02	Frame, Grassbag
2	532 19 10-39	Bearing, Wheel Adjuster	60	532 18 34-97 *	Case, Lower
3	532 17 52-62	Pan Head Tapping Screw #10-24 x 2-3/4	61	532 18 34-98 *	Case, Upper
4	532 15 87-55	Hex Washer Head Screw 1/4-20 x 2.12	62	532 18 34-99	Gear, 27 Teeth
5	532 17 54-36	V-Belt	63	532 18 35-00	Lever, Clutch
6	532 15 04-95	Spring Retainer	64	532 18 35-01	Spring, Return
7	532 19 17-30	Nut, Hex, Flanged 1/4-20	65	532 18 35-02	Shaft, Input
9	532 40 91-48	Locknut, Hex	66	532 18 35-03	Dog, Movable
11	532 19 80-88	Wheel & Tire Assembly	67	532 18 35-04	Dog, Fixed
12	812 00 00-58	E-Ring	68	532 18 35-05	Wire, Formed
13	532 40 38-49	Pinion	69	532 18 35-06	Bearing, Ball
14	532 18 94-03	Dust Cover	70	532 18 35-07	Fork, Shift
15	532 19 10-17	Pawl, Drive	71	532 18 35-08	Seal, Output Shaft
16	532 06 77-25	Washer 1/2 x 1-1/2 x .134	72	532 18 35-09	Washer
18	532 08 78-77	Selector Knob	73	532 18 35-10	Seal, Case
28	532 18 14-67	Drive Cover	74	532 18 35-11	Bushing
35	532 40 88-62	Kit, Wheel Adjuster, LH (Includes Knob and Bearing)	75	532 19 66-13	Shaft, Output
36	532 19 92-05	Gear Case Assembly, Complete	76	532 18 35-13	Screw
38	873 80 04-00	Locknut 1/4-20	77	532 18 35-14	Seal, Input Shaft
40	532 13 70-90	Spring	78	532 19 98-52	Drive Pulley
41	532 40 88-61	Kit, Wheel Adjuster, RH (Includes Knob and Bearing)	79	532 19 94-19	Pin, Retaining
54	532 19 48-53	Grassbag Assembly			

* Use Dow Corning #709 to reseal Gear Case Halves.

NOTE: All component dimensions given in U.S. inches. 1 inch = 25.4 mm. **IMPORTANT:** Use only Original Equipment Manufacturer (O.E.M.) replacement parts. Failure to do so could be hazardous, damage your lawn mower and void your warranty.