

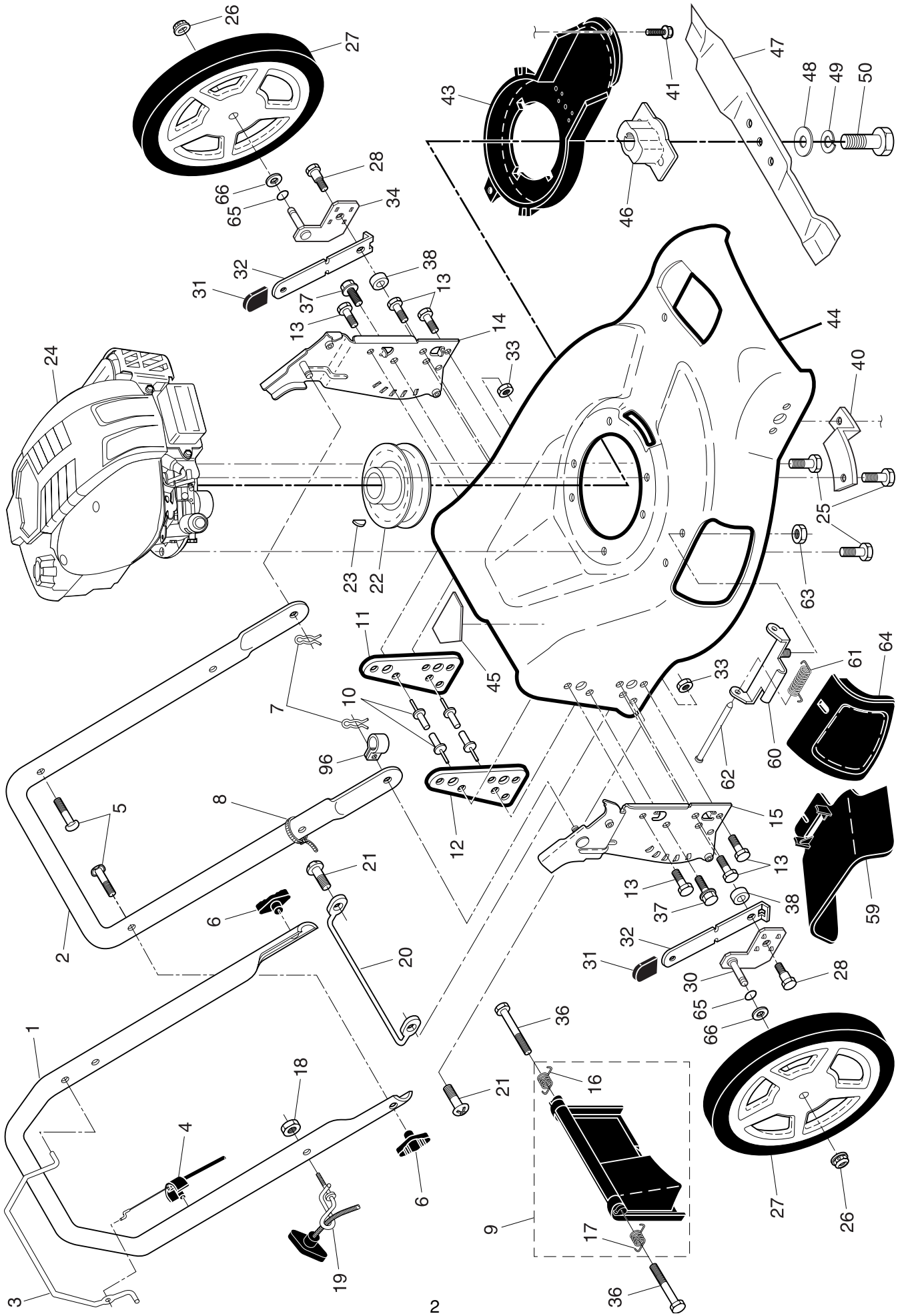
**ILLUSTRATED PARTS LIST**

**MODEL NUMBER FL521D**

**PRODUCT NUMBER 961 41 01-19**

**MFG. ID. NUMBER 96141011901**

ROTARY LAWN MOWER - - MODEL NUMBER FL521D (96141011901) PRODUCT NUMBER 961 41 01-19

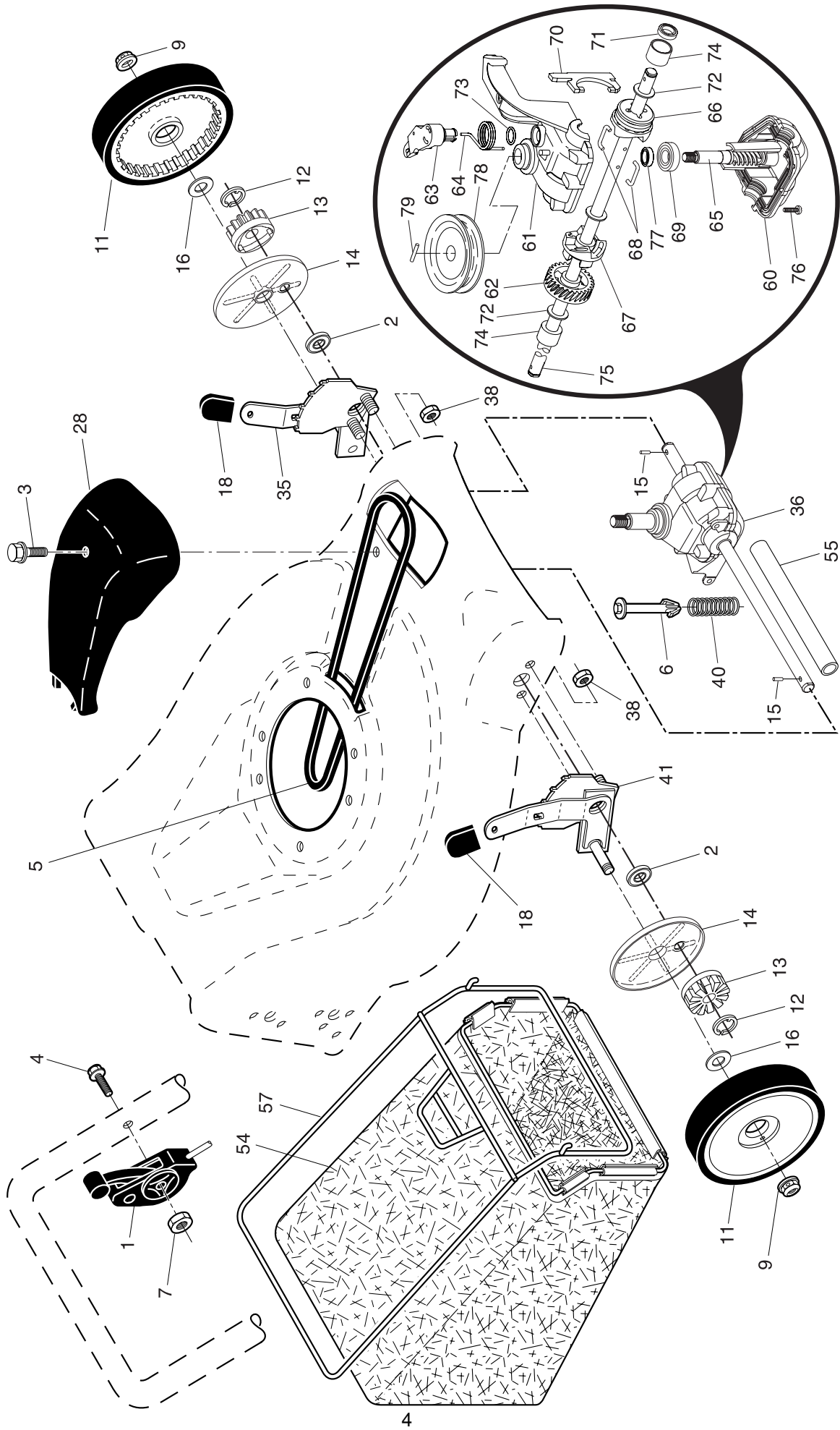


# ROTARY LAWN MOWER - - MODEL NUMBER FL521D (96141011901) PRODUCT NUMBER 961 41 01-19

KEY NO.	PART NO.	DESCRIPTION	KEY NO.	PART NO.	DESCRIPTION
1	532 40 29-37	Upper Handle	32	532 19 01-57	Selector Spring
2	532 15 36-05	Lower Handle	33	873 80 05-00	Nut, Hex 5/16-18
3	532 18 99-03	Control Bar	34	532 40 25-72	Axle Arm Assembly, Rear, LH
4	532 18 35-67	Engine Zone Control Cable	36	532 18 41-93	Bolt
5	532 19 15-74	Handle Bolt	37	532 15 00-78	Thread Cutting Screw w/Sems 5/16-18 x 3/4
6	532 19 19-38	Handle Knob	38	819 11 22-06	Spacer
7	532 05 17-93	Hairpin Cotter	40	532 19 09-39	Mounting Bracket, Debris Shield
8	532 06 64-26	Wire Tie	41	532 19 23-25	Screw, Debris Shield
9	532 18 04-79	Rear Door Kit (Includes Key Numbers 16 and 17)	43	532 18 87-84	Debris Shield
10	532 12 84-15	Pop Rivet	44	532 40 33-57	Lawn Mower Housing (Includes Key Numbers 10, 11, 12 and 45)
11	532 18 25-38	Support Bracket, LH	45	532 18 21-66	Danger Decal
12	532 18 25-39	Support Bracket, RH	46	532 18 46-32	Blade Adapter
13	817 06 04-10	Screw 1/4-20 x 5/8	47	532 19 93-77	Blade 21"
14	532 18 25-43	Handle Bracket Assembly, LH	48	532 85 10-74	Hardened Washer
15	532 18 25-45	Handle Bracket Assembly, RH	49	532 85 02-63	Helical Washer 3/8-24 x 1-3/8 Grade 8
16	532 18 00-71	Spring, Rear Door, LH	50	532 85 10-84	Hex Head Machine Screw 3/8-24 x 1-3/8 Grade 8
17	532 18 00-72	Spring, Rear Door, RH	59	532 17 50-71	Discharge Deflector
18	532 13 20-04	Locknut, Hex 1/4-20	60	532 17 57-35	Hinge Bracket Assembly
19	532 19 47-88	Rope Guide	61	532 19 30-00	Spring, Hinge
20	532 17 92-05	Foot Guard, C.E.	62	532 17 56-50	Rod, Hinge
21	532 05 45-83	Screw, Tapping 1/4-20 x 1/2	63	873 80 04-00	Locknut, Hex 1/4-20
22	532 18 49-41	Engine Pulley	64	532 17 50-66	Mulcher Door
23	532 18 77-23	Hi-Pro Key	65	532 19 74-80	O-Ring
24	- - -	Engine, Briggs & Stratton, Model Number 12H602 (order parts from engine manufacturer)	66	532 08 83-48	Washer, Flat
25	532 15 04-06	Hex Head Thread Rolling Screw 3/8-16 x 1-1/8	96	532 19 79-91	Clip, Cable
26	532 14 52-12	Hex Flange Nut	- -	532 18 21-34	Decal, Self-Propelled, Internal (not shown)
27	532 40 31-22	Wheel & Tire Assembly	- -	532 40 33-52	Operator's Manual, European
28	532 16 08-28	Shoulder Bolt 5/16-18 x .33	- -	532 40 33-53	Operator's Manual, Scandinavian
30	532 40 25-71	Axle Arm Assembly, Rear, RH	- -	532 40 33-54	Operator's Manual, East Bloc
31	532 08 78-77	Selector Knob	- -	532 40 33-55	Operator's Manual, Baltic

**NOTE:** All component dimensions given in U.S. inches. 1 inch = 25.4 mm. **IMPORTANT:** Use only Original Equipment Manufacturer (O.E.M.) replacement parts. Failure to do so could be hazardous, damage your lawn mower and void your warranty.

**ROTARY LAWN MOWER - - MODEL NUMBER FL521D (96141011901) PRODUCT NUMBER 961 41 01-19**



# ROTARY LAWN MOWER - - MODEL NUMBER **FL521D** (96141011901) PRODUCT NUMBER 961 41 01-19

KEY NO.	PART NO.	DESCRIPTION	KEY NO.	PART NO.	DESCRIPTION
1	532 18 45-88	Drive Control Assembly (Includes Cable)	55	532 17 57-39	Driveshaft Cover
2	532 19 10-19	Bearing, Wheel Adjuster	57	532 19 46-43	Frame, Grassbag
3	532 17 52-62	Pan Head Tapping Screw #10-24 x 2-3/4	60	532 18 34-97 *	Case, Lower
4	532 15 87-55	Hex Washer Head Screw 1/4-20 x 2.12	61	532 18 34-98 *	Case, Upper
5	532 17 54-36	V-Belt	62	532 18 34-99	Gear, 27 Teeth
6	532 15 04-95	Spring Retainer	63	532 18 35-00	Lever, Clutch
7	532 19 17-30	Nut, Hex, Flanged 1/4-20	64	532 18 35-01	Spring, Return
9	532 08 39-23	Locknut, Hex	65	532 18 35-02	Shaft, Input
11	532 19 80-88	Wheel & Tire Assembly	66	532 18 35-03	Dog, Movable
12	812 00 00-58	E-Ring	67	532 18 35-04	Dog, Fixed
13	532 75 00-03	Pinion	68	532 18 35-05	Wire, Formed
14	532 18 94-03	Dust Cover	69	532 18 35-06	Bearing, Ball
15	532 19 10-17	Pawl, Drive	70	532 18 35-07	Fork, Shift
16	532 06 77-25	Washer 1/2 x 1-1/2 x .134	71	532 18 35-08	Seal, Output Shaft
18	532 08 78-77	Selector Knob	72	532 18 35-09	Washer
28	532 18 14-67	Drive Cover	73	532 18 35-10	Seal, Case
35	532 19 51-10	Kit, Wheel Adjuster, LH (Includes Knob and Bearing)	74	532 18 35-11	Bushing
36	<b>532 19 92-05</b>	Gear Case Assembly, Complete	75	532 19 66-13	Shaft, Output
38	873 80 04-00	Locknut 1/4-20	76	532 18 35-13	Screw
40	532 13 70-90	Spring	77	532 18 35-14	Seal, Input Shaft
41	532 19 51-07	Kit, Wheel Adjuster, RH (Includes Knob and Bearing)	78	<b>532 19 98-52</b>	Drive Pulley
54	532 19 48-53	Grassbag Assembly	79	<b>532 19 94-19</b>	Pin, Retaining

\* Use Dow Corning #709 to reseat Gear Case Halves.

**NOTE:** All component dimensions given in U.S. inches. 1 inch = 25.4 mm. **IMPORTANT:** Use only Original Equipment Manufacturer (O.E.M.) replacement parts. Failure to do so could be hazardous, damage your lawn mower and void your warranty.