

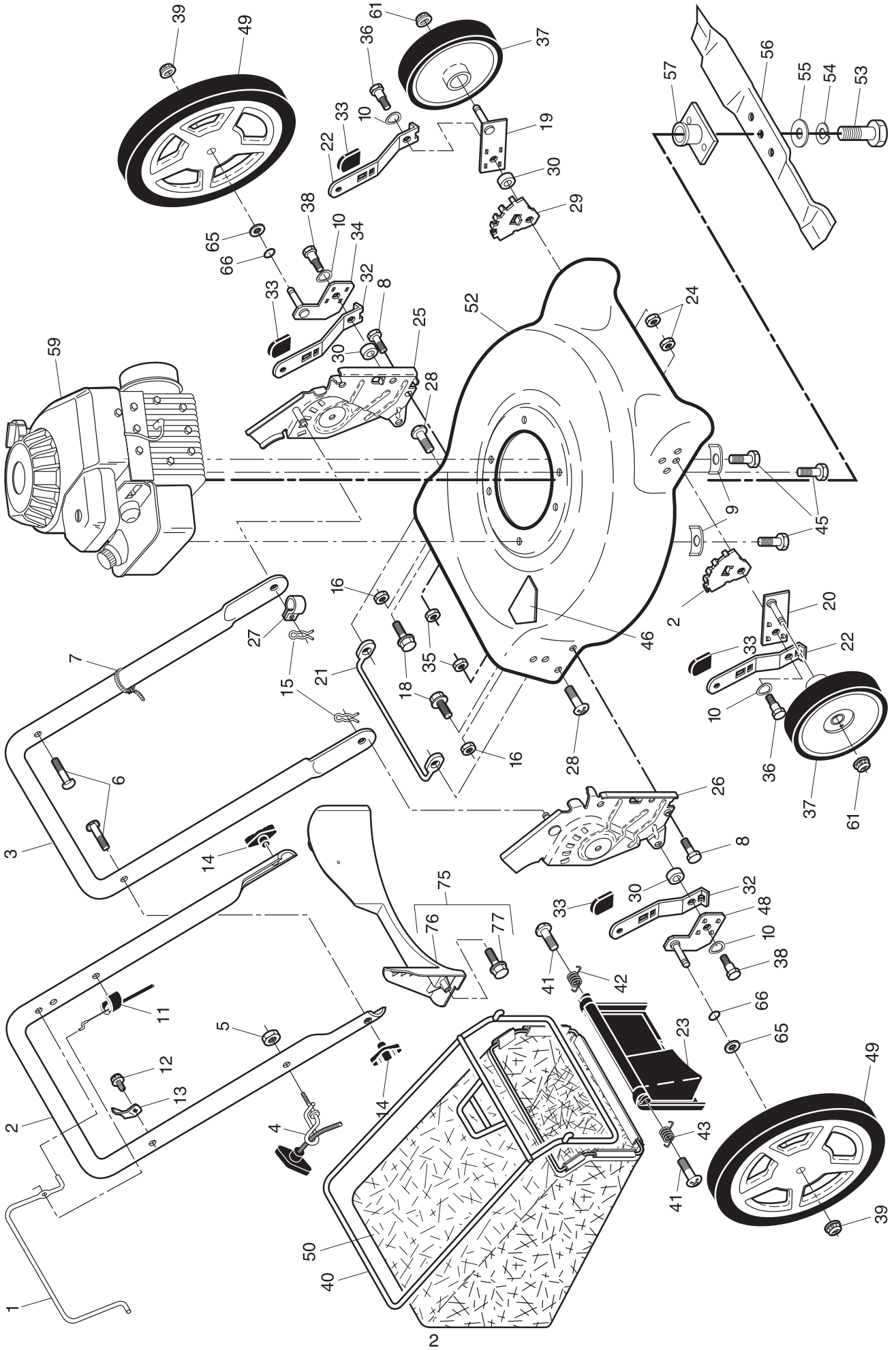
ILLUSTRATED PARTS LIST

MODEL NUMBER FL510

PRODUCT NUMBER 961 31 00-09

MFG. ID. NUMBER 96131000902

ROTARY LAWN MOWER - - MODEL NUMBER FL510 (96131000902) PRODUCT NUMBER 961 31 00-09



ROTARY LAWN MOWER - - MODEL NUMBER FL510 (96131000902) PRODUCT NUMBER 961 31 00-09

| KEY NO. | PART NO. | DESCRIPTION | KEY NO. | PART NO. | DESCRIPTION |
|---------|---------------------|------------------------------------|---------|---------------------|---|
| 1 | 532 19 55-74 | Control Bar | 36 | 532 40 16-38 | Shoulder Bolt 5/16-18 |
| 2 | 532 19 55-47 | Upper Handle | 37 | 532 19 80-87 | Wheel & Tire Assembly, Front 8 x 2 |
| 3 | 532 17 42-91 | Lower Handle | 38 | 532 40 16-38 | Shoulder Bolt |
| 4 | 532 19 47-88 | Rope Guide | 39 | 532 40 91-49 | Nut, Hex, Flangelock |
| 5 | 532 13 20-04 | Locknut, Hex 1/4-20 | 40 | 532 40 18-08 | Frame, Grassbag |
| 6 | 532 19 15-74 | Handle Bolt | 41 | 532 18 41-93 | Hinge Screw |
| 7 | 532 06 64-26 | Wire Tie | 42 | 532 40 54-21 | Spring, Rear Door, LH |
| 8 | 874 78 05-12 | Hex Bolt 5/16-18 x 3/4 | 43 | 532 40 54-23 | Spring, Rear Door, RH |
| 9 | 532 12 50-78 | Engine Washer | 45 | 532 15 04-06 | Hex Head Thread Rolling Screw 3/8-16 x 1 |
| 10 | 532 40 16-30 | Curved Washer | 46 | 532 18 21-66 | Danger Decal |
| 11 | 532 17 65-56 | Engine Zone Control Cable | 48 | 532 41 06-01 | Axle Arm Assembly, Rear, RH |
| 12 | 532 75 06-34 | Hex Washer Head Screw #10-24 x 1/2 | 49 | 532 40 31-22 | Wheel & Tire Assembly, Rear 14 x 2 |
| 13 | 532 12 52-03 | Up-Stop Bracket | 50 | 532 40 20-24 | Grassbag |
| 14 | 532 19 19-38 | Handle Knob | 52 | 532 41 39-66 | Kit, Lawn Mower Housing Assembly (Includes Key Numbers 18 and 46) |
| 15 | 532 05 17-93 | Hairpin Cotter | 53 | 532 85 10-84 | Hex Head Screw 3/8-24 x 1-3/8 Grade 8 |
| 16 | 532 75 11-53 | Nut, Hex, Flangelock 1/4-20 | 54 | 532 85 02-63 | Helical Lockwasher |
| 18 | 817 05 45-83 | Screw 1/4-20 x 3/8 | 55 | 532 85 10-74 | Hardened Washer |
| 19 | 532 40 66-90 | Axle Arm Assembly, Front, LH | 56 | 532 19 93-77 | 21" Blade |
| 20 | 532 40 66-89 | Axle Arm Assembly, Front, RH | 57 | 532 19 38-25 | Blade Adapter |
| 21 | 532 41 35-43 | Footguard | 59 | - - - | Engine, Briggs & Stratton, Model Number 10E902-0772-EA (Order parts from engine manufacturer) |
| 22 | 532 40 64-28 | Selector Spring, Front | 61 | 532 40 91-48 | Nut, Hex, Flangelock |
| 23 | 532 41 06-03 | Kit, Rear Door (Includes Springs) | 65 | 532 08 83-48 | Washer, Flat |
| 24 | 873 16 67-85 | Locknut, Hex 5/16-18 | 66 | 532 19 74-80 | O-Ring |
| 25 | 532 41 39-60 | Handle Bracket Assembly, LH | 75 | 532 41 36-93 | Kit, Baffle, Rear, Plastic (Includes 3 Screws) |
| 26 | 532 41 39-62 | Handle Bracket Assembly, RH | 76 | 532 41 05-89 | Baffle, Rear, Plastic |
| 27 | 532 19 79-91 | Cable Clip | 77 | 817 41 13-12 | Screw |
| 28 | 817 60 04-06 | Screw | - - | 532 18 21-91 | Warning Decal (not shown) |
| 29 | 532 41 05-94 | Wheel Adjusting Bracket, Front | - - | 532 40 05-71 | Operator's Manual, Scandinavian |
| 30 | 532 40 16-29 | Spacer | - - | 532 40 05-74 | Operator's Manual, Baltic |
| 32 | 532 41 05-97 | Selector Spring, Rear | | | |
| 33 | 532 08 78-77 | Selector Knob | | | |
| 34 | 532 41 06-00 | Axle Arm Assembly, Rear, LH | | | |
| 35 | 532 16 67-85 | Locknut, Hex 5/16-18 | | | |

NOTE: All component dimensions given in U.S. inches. 1 inch = 25.4 mm. **IMPORTANT:** Use only Original Equipment Manufacturer (O.E.M.) replacement parts. Failure to do so could be hazardous, damage your lawn mower and void your warranty.