

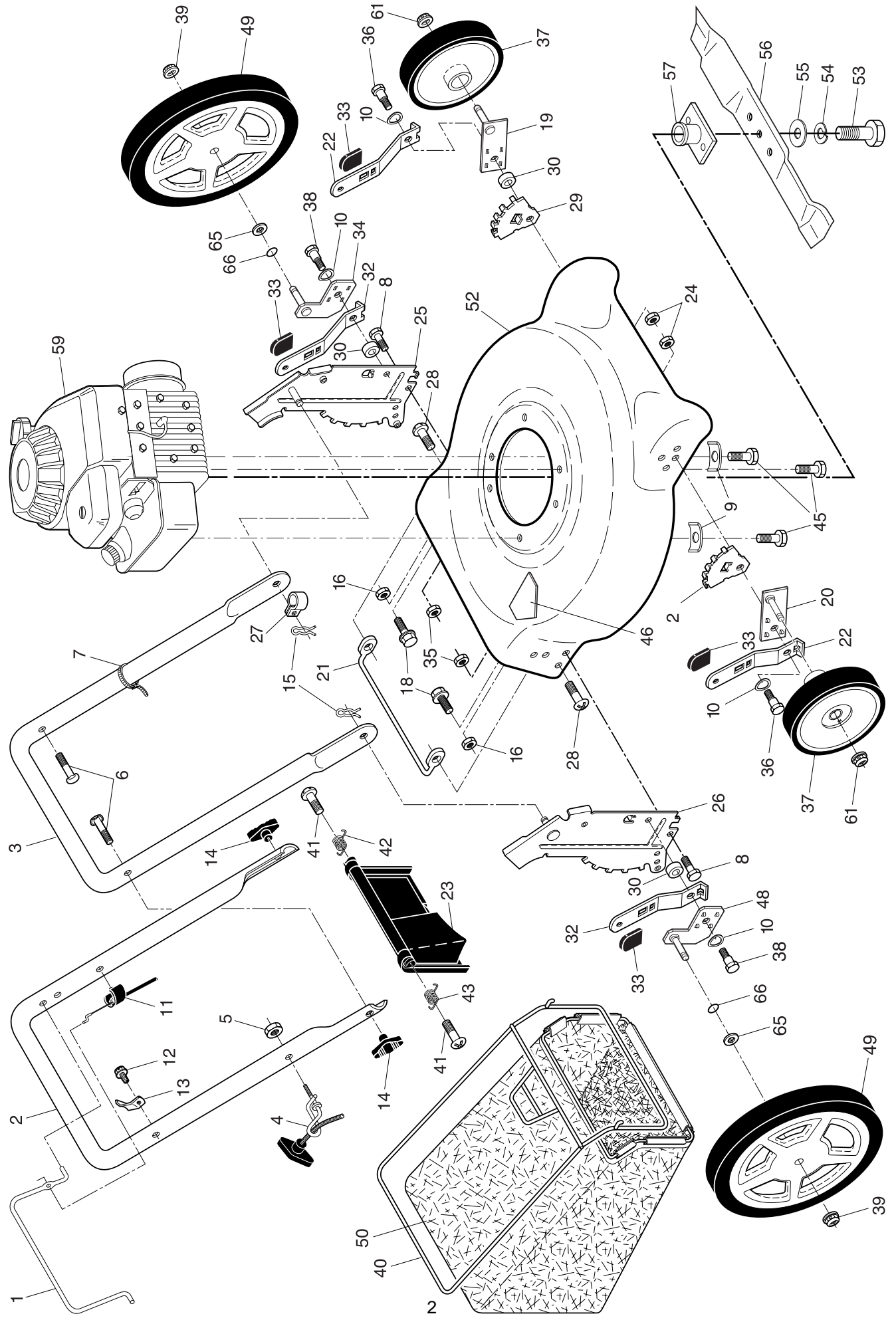
**ILLUSTRATED PARTS LIST**

**MODEL NUMBER FL510**

**PRODUCT NUMBER 961 31 00-09**

**MFG. ID. NUMBER 96131000901**

ROTARY LAWN MOWER - - MODEL NUMBER FL510 (96131000901) PRODUCT NUMBER 961 31 00-09



**ROTARY LAWN MOWER - - MODEL NUMBER FL510 (96131000901) PRODUCT NUMBER 961 31 00-09**

KEY NO.	PART NO.	DESCRIPTION	KEY NO.	PART NO.	DESCRIPTION
1	532 19 55-74	Control Bar	34	<b>532 41 06-00</b>	Axle Arm Assembly, Rear, LH
2	532 19 55-47	Upper Handle	35	532 16 67-85	Locknut, Hex 5/16-18
3	532 17 42-91	Lower Handle	36	<b>532 40 16-38</b>	Shoulder Bolt 5/16-18
4	532 19 47-88	Rope Guide	37	532 19 80-87	Wheel & Tire Assembly, Front 8 x 2
5	532 13 20-04	Locknut, Hex 1/4-20	38	<b>532 40 16-38</b>	Shoulder Bolt
6	532 19 15-74	Handle Bolt	39	<b>532 40 91-49</b>	Nut, Hex, Flangelock
7	532 06 64-26	Wire Tie	40	<b>532 40 18-08</b>	Frame, Grassbag
8	874 78 05-12	Hex Bolt 5/16-18 x 3/4	41	<b>532 18 41-93</b>	Hinge Screw
9	<b>532 12 50-78</b>	Engine Washer	42	<b>532 40 54-21</b>	Spring, Rear Door, LH
10	<b>532 40 16-30</b>	Curved Washer	43	<b>532 40 54-23</b>	Spring, Rear Door, RH
11	532 17 65-56	Engine Zone Control Cable	45	532 15 04-06	Hex Head Thread Rolling Screw 3/8-16 x 1
12	532 75 06-34	Hex Washer Head Screw #10-24 x 1/2	46	532 18 21-66	Danger Decal
13	532 12 52-03	Up-Stop Bracket	48	<b>532 41 06-01</b>	Axle Arm Assembly, Rear, RH
14	532 19 19-38	Handle Knob	49	532 40 31-22	Wheel & Tire Assembly, Rear 14 x 2
15	532 05 17-93	Hairpin Cotter	50	532 40 20-24	Grassbag
16	532 75 11-53	Nut, Hex, Flangelock 1/4-20	52	<b>532 40 96-48</b>	Kit, Lawn Mower Housing Assembly (Includes Key Numbers 18 and 46)
18	<b>817 05 45-83</b>	Screw 1/4-20 x 3/8	53	532 85 10-84	Hex Head Screw 3/8-24 x 1-3/8 Grade 8
19	<b>532 40 66-90</b>	Axle Arm Assembly, Front, LH	54	532 85 02-63	Helical Lockwasher
20	<b>532 40 66-89</b>	Axle Arm Assembly, Front, RH	55	532 85 10-74	Hardened Washer
21	<b>532 41 35-43</b>	Footguard	56	532 19 93-77	21" Blade
22	<b>532 40 64-28</b>	Selector Spring, Front	57	532 19 38-25	Blade Adapter
23	<b>532 41 06-03</b>	Kit, Rear Door (Includes Springs)	59	- - -	Engine, Briggs & Stratton, Model Number 10E902-0772-EA (Order parts from engine manufacturer)
24	<b>873 16 67-85</b>	Locknut, Hex 5/16-18	61	<b>532 40 91-48</b>	Nut, Hex, Flangelock
25	<b>532 41 05-96</b>	Handle Bracket Assembly, LH	65	532 08 83-48	Washer, Flat
26	<b>532 41 05-97</b>	Handle Bracket Assembly, RH	66	532 19 74-80	O-Ring
27	<b>532 19 79-91</b>	Cable Clip	--	532 18 21-91	Warning Decal (not shown)
28	<b>817 60 04-06</b>	Screw	--	532 40 05-71	Operator's Manual, Scandinavian
29	<b>532 41 05-94</b>	Wheel Adjusting Bracket, Front	--	532 40 05-74	Operator's Manual, Baltic
30	<b>532 40 16-29</b>	Spacer			
32	<b>532 41 05-97</b>	Selector Spring, Rear			
33	532 08 78-77	Selector Knob			

**NOTE:** All component dimensions given in U.S. inches. 1 inch = 25.4 mm. **IMPORTANT:** Use only Original Equipment Manufacturer (O.E.M.) replacement parts. Failure to do so could be hazardous, damage your lawn mower and void your warranty.