

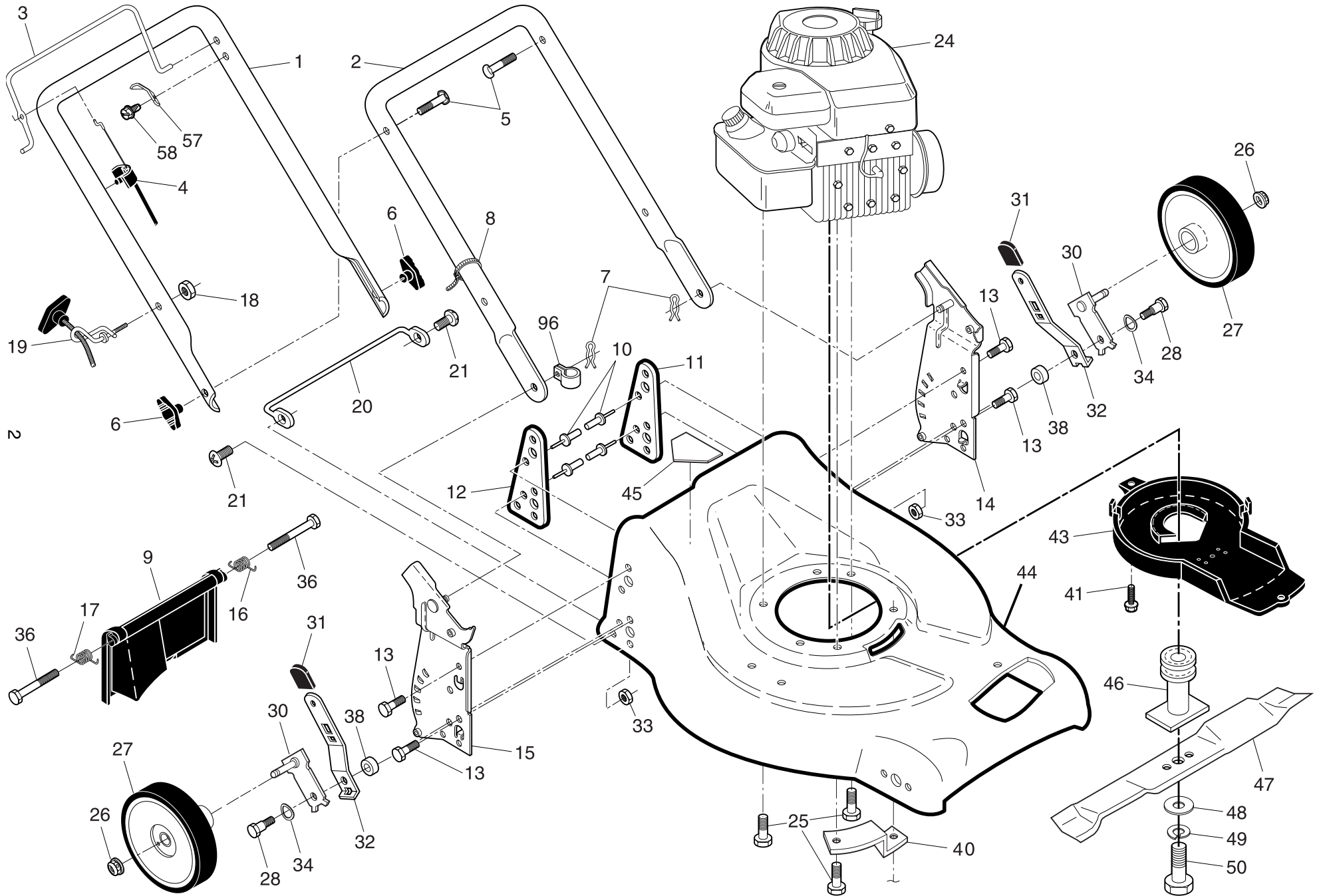
ILLUSTRATED PARTS LIST

MODEL NUMBER FL510D

PRODUCT NUMBER 961 41 00-74

MFG. ID. NUMBER 96141007402

ROTARY LAWN MOWER - - MODEL NUMBER FL510D (96141007402) PRODUCT NUMBER 961 41 00-74

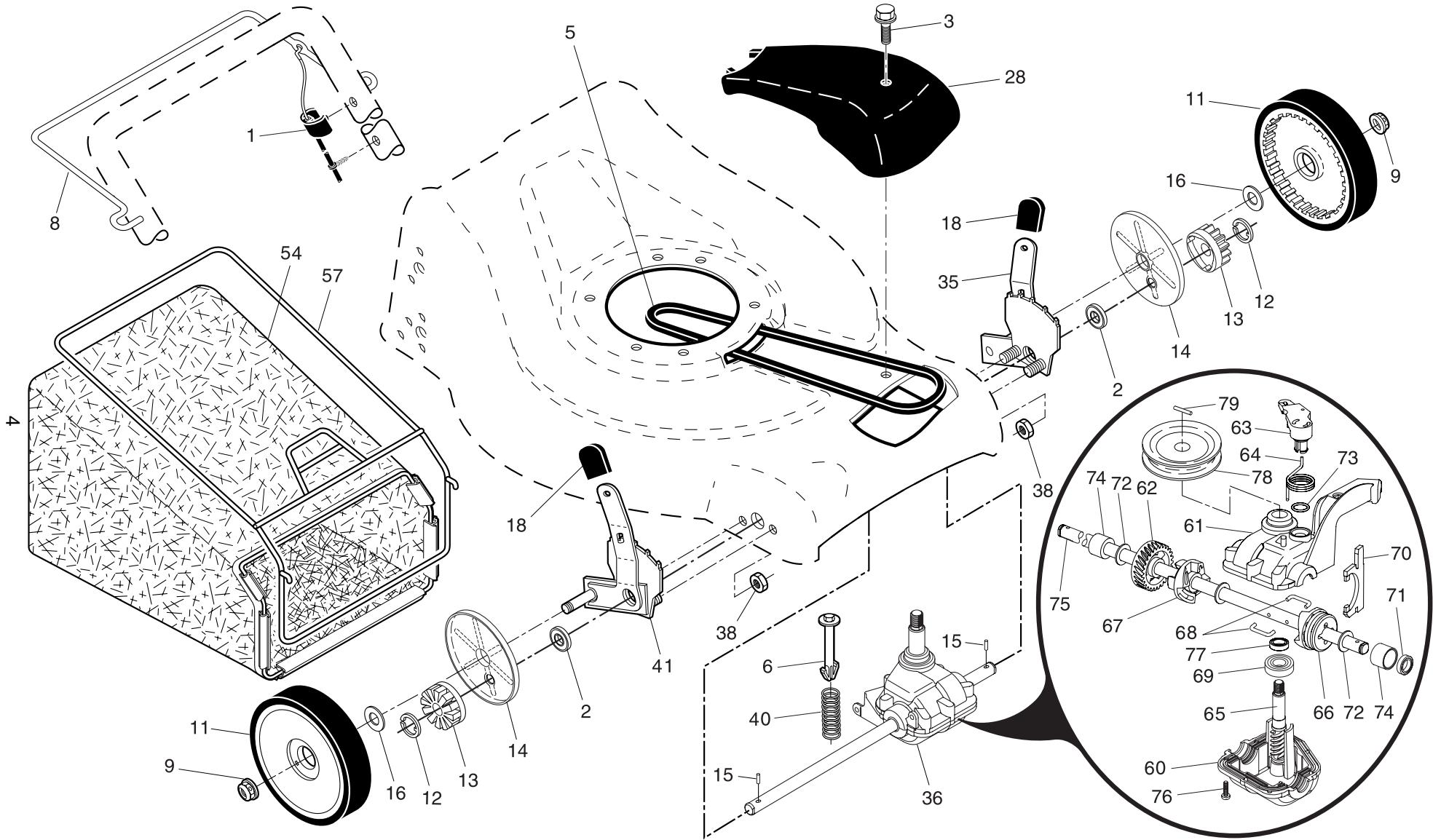


ROTARY LAWN MOWER - - MODEL NUMBER **FL510D** (96141007402) PRODUCT NUMBER 961 41 00-74

KEY NO.	PART NO.	DESCRIPTION	KEY NO.	PART NO.	DESCRIPTION
1	532 19 84-59	Upper Handle	27	532 19 80-87	Wheel & Tire Assembly, Rear
2	532 15 36-05	Lower Handle	28	532 40 16-38	Shoulder Bolt 5/16-18 x 1.328
3	532 19 84-64	Control Bar	30	532 41 21-74	Axle Arm Assembly, Rear
4	532 18 35-67	Engine Zone Control Cable	31	532 08 78-77	Selector Knob
5	532 19 15-74	Handle Bolt	32	532 41 08-88	Selector Spring
6	532 19 19-38	Handle Knob	33	532 19 85-41	Nut, Hex 31-18
7	532 05 17-93	Hairpin Cotter	34	532 40 16-30	Washer, Curved
8	532 06 64-26	Wire Tie	36	532 18 41-93	Bolt
9	532 40 69-85	Rear Door	38	532 40 16-29	Spacer
10	532 12 84-15	Pop Rivet	40	532 19 09-39	Mounting Bracket, Debris Shield
11	532 41 05-40	Support Bracket, LH	41	532 19 23-25	Screw, Hex Washer Head
12	532 41 05-42	Support Bracket, RH	43	532 40 58-45	Debris Shield
13	817 06 04-10	Screw 1/4-20 x 5/8	44	532 40 96-58	Lawn Mower Housing (Includes Key Numbers 10, 11, 12 and 45)
14	532 19 01-54	Handle Bracket Assembly, LH	45	532 18 21-66	Danger Decal
15	532 19 01-53	Handle Bracket Assembly, RH	46	532 40 46-32	Blade Adapter/Pulley
16	532 40 54-17	Spring, Rear Door, LH	47	532 19 93-77	Blade, 21"
17	532 40 54-18	Spring, Rear Door, RH	48	532 85 10-74	Hardened Washer
18	532 13 20-04	Locknut, Hex, Keps 1/4-20	49	532 85 02-63	Helical Washer 3/8-24 x 1-3/8 Grade 8
19	532 19 47-88	Rope Guide	50	532 85 10-84	Hex Head Machine Screw 3/8-24 x 1-3/8 Grade 8
20	532 41 05-36	Foot Guard, C.E.	57	532 12 51-62	Upstop Bracket
21	532 05 45-83	Screw, Tapping 1/4-20 x 1/2	58	532 75 06-34	Screw Thd 10-24 x .50
24	- - -	Engine, B&S, Model Number 10E902-0826-B1 (Order parts from engine manufacturer)	96	532 19 79-91	Clip, Cable
25	532 15 04-06	Screw, Hex Head, Threaded, Rolled 3/8-16 x 1-1/8	--	532 40 05-52	Operator's Manual, Baltic
26	532 40 91-48	Nut, Hex, Flanged	--	532 40 05-55	Operator's Manual, Scan

NOTE: All component dimensions given in U.S. inches. 1 inch = 25.4 mm. **IMPORTANT:** Use only Original Equipment Manufacturer (O.E.M.) replacement parts. Failure to do so could be hazardous, damage your lawn mower and void your warranty.

ROTARY LAWN MOWER - - MODEL NUMBER **FL510D** (96141007402) PRODUCT NUMBER 961 41 00-74



ROTARY LAWN MOWER - - MODEL NUMBER **FL510D** (96141007402) PRODUCT NUMBER 961 41 00-74

KEY NO.	PART NO.	DESCRIPTION
1	532 19 46-53	Drive Control Assembly (Includes Cable)
2	532 19 10-39	Bearing, Wheel Adjuster
3	532 17 52-62	Pan Head Tapping Screw #10-24 x 2-3/4
5	532 17 54-36	V-Belt
6	532 15 04-95	Spring Retainer
8	532 19 84-53	Bail, Drive
9	532 40 91-48	Locknut, Hex
11	532 19 80-88	Wheel & Tire Assembly, Front
12	812 00 00-58	E-Ring
13	532 40 38-49	Pinion
14	532 18 94-03	Dust Cover
15	532 19 10-17	Pawl, Drive
16	532 06 77-25	Washer 1/2 x 1-1/2 x .134
18	532 08 78-77	Selector Knob
28	532 19 58-81	Drive Cover
35	532 40 88-02	Kit, Wheel Adjuster, LH (Includes Knob and Bearing)
36	532 19 92-05	Gearcase Assembly, Complete
38	873 80 04-00	Locknut, Hex 1/4-20
40	532 13 70-90	Spring
41	532 40 88-03	Kit, Wheel Adjuster, RH (Includes Knob and Bearing)
54	532 40 19-05	Grassbag

KEY NO.	PART NO.	DESCRIPTION
57	532 40 18-02	Frame, Grassbag
60	532 18 34-97 *	Case, Lower
61	532 18 34-98 *	Case, Upper
62	532 18 34-99	Gear, 27 Teeth
63	532 18 35-00	Lever, Clutch
64	532 18 35-01	Spring, Return
65	532 18 35-02	Shaft, Input
66	532 18 35-03	Dog, Movable
67	532 18 35-04	Dog, Fixed
68	532 18 35-05	Wire, Formed
69	532 18 35-06	Bearing, Ball
70	532 18 35-07	Fork, Shift
71	532 18 35-08	Seal, Output Shaft
72	532 18 35-09	Washer
73	532 18 35-10	Seal, Case
74	532 18 35-11	Bushing
75	532 19 66-13	Shaft, Output
76	532 18 35-13	Screw
77	532 18 35-14	Seal, Input Shaft
78	532 19 98-52	Pulley, Drive
79	532 19 94-19	Pin Retainer

* Use Dow Corning #709 to reseal.

NOTE: All component dimensions given in U.S. inches. 1 inch = 25.4 mm. **IMPORTANT:** Use only Original Equipment Manufacturer (O.E.M.) replacement parts. Failure to do so could be hazardous, damage your lawn mower and void your warranty.