

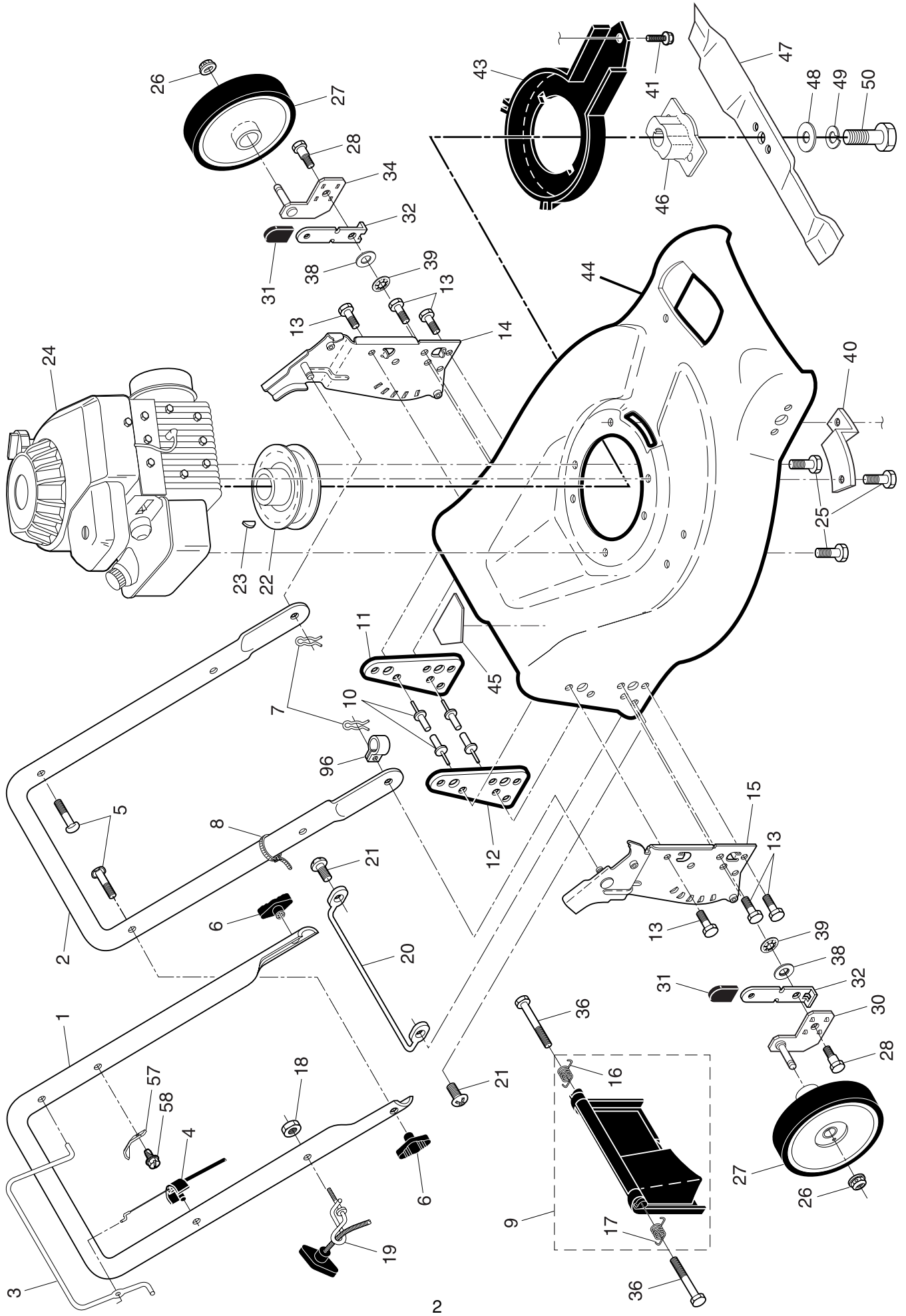
ILLUSTRATED PARTS LIST

MODEL NUMBER FL510D

PRODUCT NUMBER 961 41 00-74

MFG. ID. NUMBER 96141007400

ROTARY LAWN MOWER -- MODEL NUMBER FL510D (96141007400) PRODUCT NUMBER 961 41 00-74



ROTARY LAWN MOWER -- MODEL NUMBER FL510D (96141007400) PRODUCT NUMBER 961 41 00-74

| KEY NO. | PART NO. | DESCRIPTION | KEY NO. | PART NO. | DESCRIPTION |
|---------|--------------|---|---------|--------------|---|
| 1 | 532 19 84-59 | Upper Handle | 26 | 532 08 39-23 | Hex Flange Nut |
| 2 | 532 15 36-05 | Lower Handle | 27 | 532 19 80-87 | Wheel & Tire Assembly |
| 3 | 532 19 84-64 | Control Bar | 28 | 532 18 93-12 | Shoulder Bolt 5/16-18 x .33 |
| 4 | 532 18 35-67 | Engine Zone Control Cable | 30 | 532 19 54-35 | Axle Arm Assembly, Rear, RH |
| 5 | 532 19 15-74 | Handle Bolt | 31 | 532 08 78-77 | Selector Knob |
| 6 | 532 19 19-38 | Handle Knob | 32 | 532 19 01-57 | Selector Spring |
| 7 | 532 05 17-93 | Hairpin Cotter | 34 | 532 19 54-36 | Axle Arm Assembly, Rear, LH |
| 8 | 532 06 64-26 | Wire Tie | 36 | 532 18 41-93 | Bolt, Hex Head |
| 9 | 532 18 04-79 | Rear Door Kit (Includes Key Numbers 16 and 17) | 38 | 532 17 61-85 | Washer |
| 10 | 532 12 84-15 | Pop Rivet | 39 | 532 17 62-35 | Pushnut |
| 11 | 532 18 25-38 | Support Bracket, LH | 40 | 532 19 09-39 | Mounting Bracket, Debris Shield |
| 12 | 532 18 25-39 | Support Bracket, RH | 41 | 532 19 23-25 | Screw |
| 13 | 817 06 04-10 | Screw 1/4-20 x 5/8 | 43 | 532 18 87-84 | Debris Shield |
| 14 | 532 19 01-54 | Handle Bracket Assembly, LH | 44 | 532 40 07-29 | Kit, Lawn Mower Housing (Includes Key Numbers 10, 11, 12 and 45) |
| 15 | 532 19 01-53 | Handle Bracket Assembly, RH | 45 | 532 18 21-66 | Danger Decal |
| 16 | 532 18 00-71 | Spring, Rear Door, LH | 46 | 532 18 00-69 | Blade Adapter |
| 17 | 532 18 00-72 | Spring, Rear Door, RH | 47 | 532 19 93-77 | Blade, 21" |
| 18 | 532 13 20-04 | Keps Locknut 1/4-20 | 48 | 532 85 10-74 | Hardened Washer |
| 19 | 532 19 47-88 | Rope Guide | 49 | 532 85 02-63 | Helical Washer 3/8-24 x 1-3/8 Grade 8 |
| 20 | 532 17 92-05 | Foot Guard, C.E. | 50 | 532 85 10-84 | Hex Head Machine Screw 3/8-24 x 1-3/8 Grade 8 |
| 21 | 532 05 45-83 | Screw, Tapping 1/4-20 x 1/2 | 57 | 532 12 51-62 | Bracket, Upstop |
| 22 | 532 08 45-96 | Engine Pulley | 58 | 532 75 06-34 | Screw, Threaded 10-24 x 1/2 |
| 23 | 532 08 76-77 | Hi-Pro Key | 96 | 532 19 79-91 | Clip, Cable |
| 24 | --- | Engine, Briggs & Stratton, Model Number 10E902 (order parts from engine manufacturer) | -- | 532 18 21-34 | Decal, Warning (not shown) |
| 25 | 532 15 04-06 | Hex Head Thread Rolling Screw 3/8-16 x 1-1/8 | -- | 532 40 05-55 | Operator's Manual, Scandinavian |
| | | | -- | 532 40 05-52 | Operator's Manual, Baltic |

NOTE: All component dimensions given in U.S. inches. 1 inch = 25.4 mm. **IMPORTANT:** Use only Original Equipment Manufacturer (O.E.M.) replacement parts. Failure to do so could be hazardous, damage your lawn mower and void your warranty.

ROTARY LAWN MOWER - - MODEL NUMBER **FL510D** (96141007400) PRODUCT NUMBER 961 41 00-74

| KEY NO. | PART NO. | DESCRIPTION | KEY NO. | PART NO. | DESCRIPTION |
|---------|--------------|--|---------|--------------|--------------------|
| 1 | 532 19 46-53 | Control Cable Assembly | 54 | 532 40 19-05 | Grassbag Assembly |
| 2 | 532 19 10-39 | Bearing, Wheel Adjuster | 55 | 532 17 57-39 | Driveshaft Cover |
| 3 | 532 17 52-62 | Pan Head Tapping Screw #10-24 x 2-3/4 | 57 | 532 19 46-43 | Frame, Grassbag |
| 5 | 532 17 54-36 | V-Belt | 60 | 532 18 34-97 | * Case, Lower |
| 6 | 532 15 04-95 | Spring Retainer | 61 | 532 18 34-98 | * Case, Upper |
| 7 | 532 19 84-53 | Control Bar, Drive | 62 | 532 18 34-99 | Gear, 27 Teeth |
| 9 | 532 08 39-23 | Locknut, Hex | 63 | 532 18 35-00 | Lever, Clutch |
| 11 | 532 19 80-88 | Wheel & Tire Assembly | 64 | 532 18 35-01 | Spring, Return |
| 12 | 812 00 00-58 | E-Ring | 65 | 532 18 35-02 | Shaft, Input |
| 13 | 532 75 00-03 | Pinion | 66 | 532 18 35-03 | Dog, Movable |
| 14 | 532 18 94-03 | Dust Cover | 67 | 532 18 35-04 | Dog, Fixed |
| 15 | 532 19 10-17 | Pawl, Drive | 68 | 532 18 35-05 | Wire, Formed |
| 16 | 532 06 77-25 | Washer 1/2 x 1-1/2 x .134 | 69 | 532 18 35-06 | Bearing, Ball |
| 18 | 532 08 78-77 | Selector Knob | 70 | 532 18 35-07 | Fork, Shift |
| 28 | 532 19 58-81 | Drive Cover | 71 | 532 18 35-08 | Seal, Output Shaft |
| 32 | 532 19 41-26 | Drive Pulley | 72 | 532 18 35-09 | Washer |
| 35 | 532 19 51-10 | Kit, Wheel Adjuster, LH (Includes Knob and Bearing) | 73 | 532 18 35-10 | Seal, Case |
| 36 | 532 19 49-35 | Gearcase Assembly, Complete | 74 | 532 18 35-11 | Bushing |
| 38 | 873 80 04-00 | Locknut, Hex 1/4-20 | 75 | 532 19 66-13 | Shaft, Output |
| 40 | 532 13 70-90 | Spring | 76 | 532 18 35-13 | Screw |
| 41 | 532 19 51-07 | Kit, Wheel Adjuster, RH (Includes Knob and Bearing) | 77 | 532 18 35-14 | Seal, Input Shaft |

* Use Dow Corning #709 to reseal Gear Case Halves.

NOTE: All component dimensions given in U.S. inches. 1 inch = 25.4 mm. **IMPORTANT:** Use only Original Equipment Manufacturer (O.E.M.) replacement parts. Failure to do so could be hazardous, damage your lawn mower and void your warranty.