

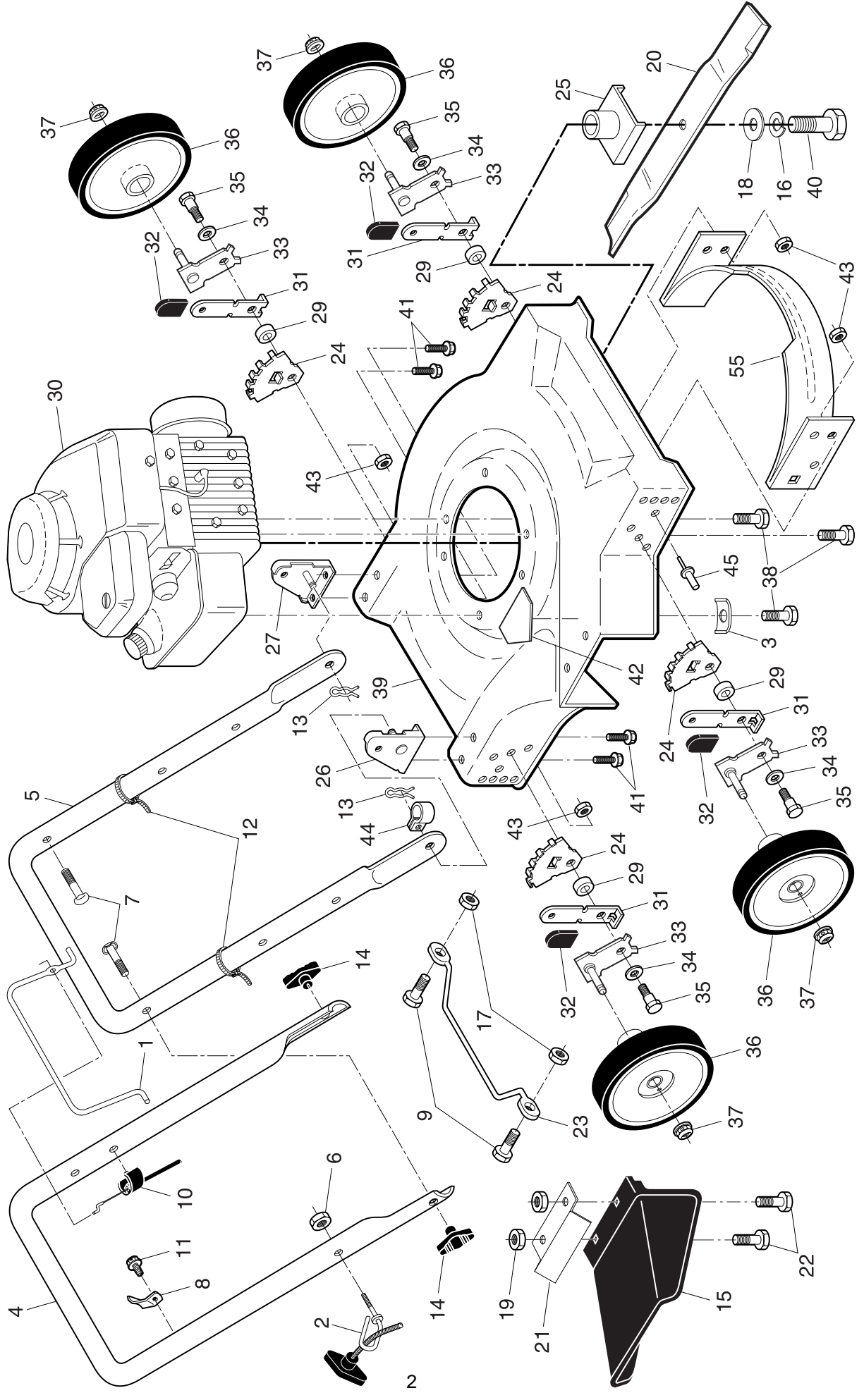
ILLUSTRATED PARTS LIST

CUSTOMER MODEL NUMBER FL350KD

PRODUCT NUMBER 961 11 00-03

MFG. ID. NUMBER 96111000300

ROTARY LAWN MOWER -- CUSTOMER MODEL NO. FL350KD (96111000300) PRODUCT NO. 961 11 00-03



ROTARY LAWN MOWER -- CUSTOMER MODEL NO. FL350KD (96111000300) PRODUCT NO. 961 11 00-03

| KEY NO. | PART NO. | DESCRIPTION | KEY NO. | PART NO. | DESCRIPTION |
|---------|--------------|-----------------------------|---------|--------------|---|
| 1 | 532 19 60-25 | Control Bar | 25 | 532 85 09-77 | Blade Adapter |
| 2 | 532 17 95-85 | Rope Guide | 26 | 532 17 09-75 | Handle Bracket Assembly, RH |
| 3 | 532 12 50-78 | Engine Washer | 27 | 532 17 09-77 | Handle Bracket Assembly, LH |
| 4 | 532 19 60-26 | Upper Handle | 29 | 532 14 66-30 | Spacer |
| 5 | 532 15 50-44 | Lower Handle | 30 | - - - | Engine, Briggs & Stratton, Model Number 9D902 (order parts from engine manufacturer) |
| 6 | 532 13 20-04 | Nut, Hex | 31 | 532 14 17-30 | Selector Spring |
| 7 | 532 19 15-74 | Handle Bolt 5/16-18 x 1-3/4 | 32 | 532 08 78-77 | Selector Knob |
| 8 | 532 12 52-03 | Up-Stop Bracket | 33 | 532 14 98-57 | Axle Arm Assembly |
| 9 | 532 08 58-25 | Screw | 34 | 532 06 23-35 | Belleville Washer |
| 10 | 532 16 27-78 | Engine Zone Control Cable | 35 | 532 14 27-48 | Shoulder Bolt |
| 11 | 532 75 06-34 | Nut, Hex | 36 | 532 80 00-60 | Wheel & Tire Assembly |
| 12 | 532 06 64-26 | Wire Tie | 37 | 532 08 39-23 | Nut, Hex |
| 13 | 532 05 17-93 | Hairpin Cotter | 38 | 532 15 04-06 | Hex Head Thread Rolling Screw 3/8-16 x 1-1/8 |
| 14 | 532 19 19-38 | Handle Knob | 39 | 532 19 66-46 | Lawn Mower Housing |
| 15 | 532 75 20-52 | Discharge Guard | 40 | 532 85 10-84 | Hex Head Screw 3/8-24 x 1-3/8 Grade 8 |
| 16 | 532 85 02-63 | Helical Lockwasher 3/8 | 41 | 532 14 97-41 | Thread Cutting Screw 5/16-18 x 3/4 |
| 17 | 532 06 91-80 | Nut, Hex | 42 | 532 18 21-66 | Danger Decal |
| 18 | 532 85 10-74 | Hardened Washer | 43 | 532 75 15-92 | Locknut, Hex 3/8-16 |
| 19 | 873 80 04-00 | Nut, Hex | 44 | 532 19 27-70 | Clip, Cable |
| 20 | 532 14 51-06 | Blade, 20" | 45 | 532 12 84-15 | Pop Rivet |
| 21 | 532 16 22-34 | Hold Down Bracket | 55 | 532 14 15-19 | Front Baffle |
| 22 | 874 76 04-12 | Bolt | -- | 532 14 15-20 | Rear Baffle (not shown) |
| 23 | 532 15 41-47 | Footguard | -- | 532 19 54-31 | Operator's Manual, European |
| 24 | 532 13 99-01 | Wheel Adjusting Bracket | -- | 532 19 54-32 | Operator's Manual, Scandinavian |

NOTE: All component dimensions given in U.S. inches. 1 inch = 25.4 mm. **IMPORTANT:** Use only Original Equipment Manufacturer (O.E.M.) replacement parts. Failure to do so could be hazardous, damage your lawn mower and void your warranty.