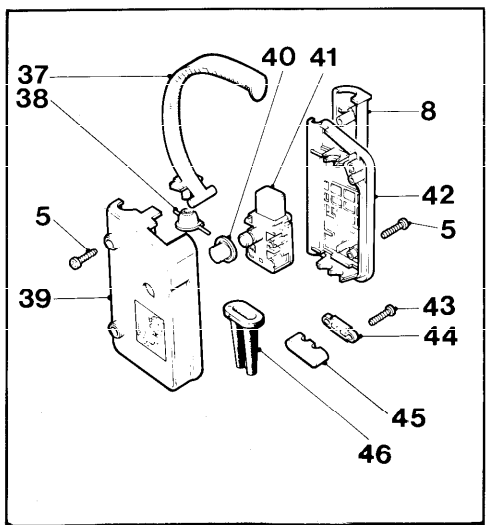
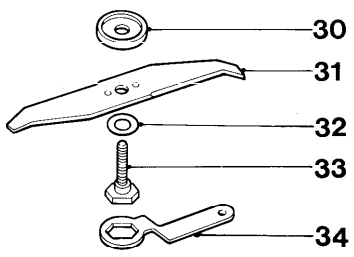
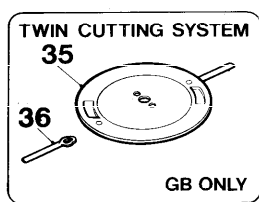
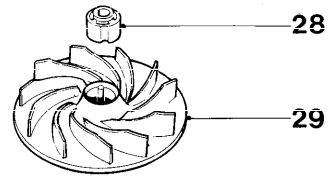
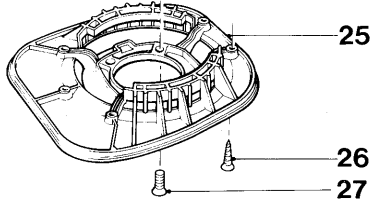
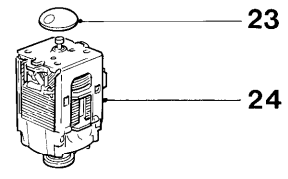
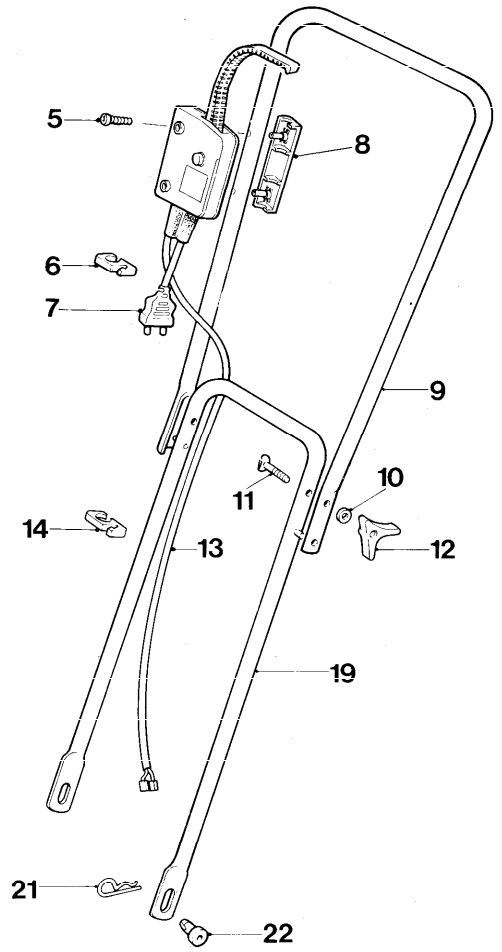
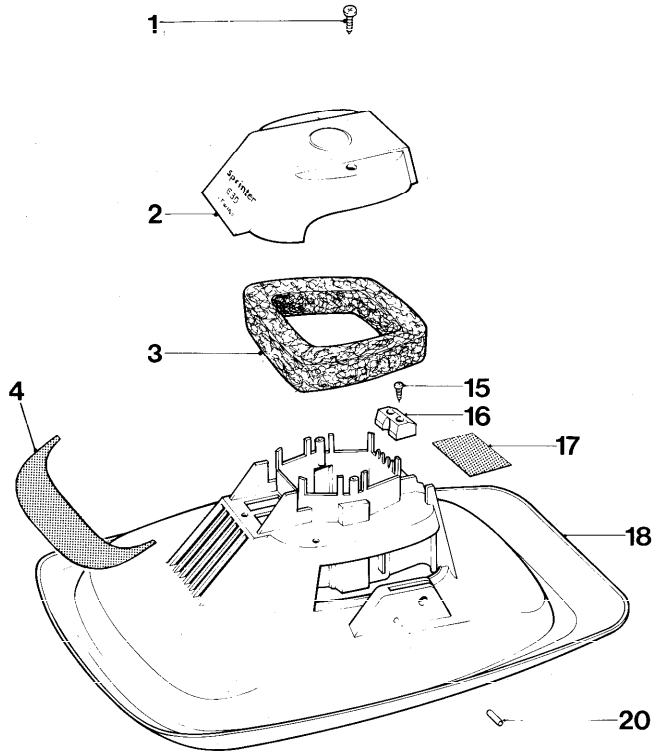




E30-4 9635177
9635179



Flymo[®]E30-4 9635177
9635179

KEY No.	PART No.	DESCRIPTION	QUANTITY	COMMENTS/ APPLICATION	KEY No.	PART No.	DESCRIPTION	QUANTITY	COMMENTS/ APPLICATION
1	5146824-00/7	SCREW	2	ALT USE 5147665-00/4	41	5137538-03/8	SWITCH ON/OFF LOCK/OFF	1	
2	5137486-02/2	COWL C/W LENS	1	GB	42	5106264-01/2	SWITCH BOX COVER	1	
	5137660-01/4	COWL C/W LENS	1		43	5146824-00/7	SCREW	2	ALT USE 5147665-00/4
3	5136656-00/5	FILTER	1		44	5146616-00/7	CLAMP CABLE	1	
4	5136725-00/8	LABEL FLYMO	1		45	5137509-00/5	CABLE CLAMP BASE	1	
5	5146672-00/0	SCREW GKN POLYMATE	4		46	5141584-01/0	SLEEVE PROTECTION	1	
6	5140482-00/0	CABLE CLIP SMALL	1						
7	5136621-02/5	LEAD TERMINAL C/W PLUG	1	GB					
	5147000-01/1	LEAD TERMINAL .5M	1	F.B.NL.DK.I.SF.A.N.S.					
8	5116959-01/5	SWITCHBOX RETAINER	1						
9	5126242-03/0	HANDLE UPPER PLASTIC COATED	1						
10	5140266-00/7	WASHER	2						
11	5140607-00/2	BOLT HANDLE ¼ UNC x 45LG	2						
12	5140690-00/8	KNOB WING	2						
13	5147001-46/4	LEAD INTERNAL	1	GB.					
	5147001-34/0	LEAD INTERNAL	1	F.B.NL.A.N.D.I.					
14	5140863-01/9	CABLE CLIP LARGE	1						
15	5146824-00/7	SCREW	2	ALT USE 5147665-00/4					
16	5126442-00/2	CABLE CLAMP	1						
17	5147876-00/6	LABEL WARNING ELECTRIC	1	GB					
	5136708-01/2	LABEL WARNING ELECTRIC	1	F.B.NL.CH.					
	5136712-01/4	LABEL WARNING ELECTRIC	1	I.DK.N.					
18	5126515-01/3	HOOD 30CM	1						
	5126515-02/1	HOOD 30CM	1	LATER PRODUCED PRODUCT					
19	5116937-00/3	HANDLE LOWER	1						
	5117082-00/7	HANDLE LOWER	1	LATER PRODUCED PRODUCT					
20	5147594-00/5	PIN	2						
21	5140423-00/4	PIN RETAINING	2						
22	5140092-00/7	PIN LOCKING	2	ALT USE 5140092-01/5					
23	5146469-01/9	WARNING DISC ASSY ORANGE	1						
24	5126677-01/1	MOTOR 240VOLT SQUARE STACK	1	GB.					
	5126677-02/9	MOTOR 220VOLT SQUARE STACK	1						
25	5106169-01/3	MOTOR MOUNTING PLATE	1	DARK BROWN					
26	5146736-00/3	SCREW HIGH/LOW	5						
27	5148122-01/2	SCREW PLASTITE 10x19mm	4						
28	5126740-00/9	IMPELLER INSERT	1						
29	5116967-00/0	IMPELLER	1						
30	5136240-01/6	BLADE SPACER	2						
31	5126439-00/8	BLADE 30CM	1						
32	5140516-00/5	ANTI FRICTION WASHER (PTFE)	1						
33	5136242-01/2	BLADE BOLT	1						
34	5130127-00/3	SPANNER	1						
35	5137557-00/4	DISC ASSY	1						
36	5148257-02/4	CUTTER PLASTIC LONG LIFE	2						
37	5116963-00/9	SWITCH ACTUATING LEVER	1						
38	5130406-01/9	SEAL CONE	1						
39	5106263-01/4	SWITCH BOX BODY	1						
40	5148253-00/7	COVER LOCK-OFF	1						

PRODUCT VARIANT

9635177-25 GB

9635179-72 F.B.NL.A.

9635179-74 N.DK.I.