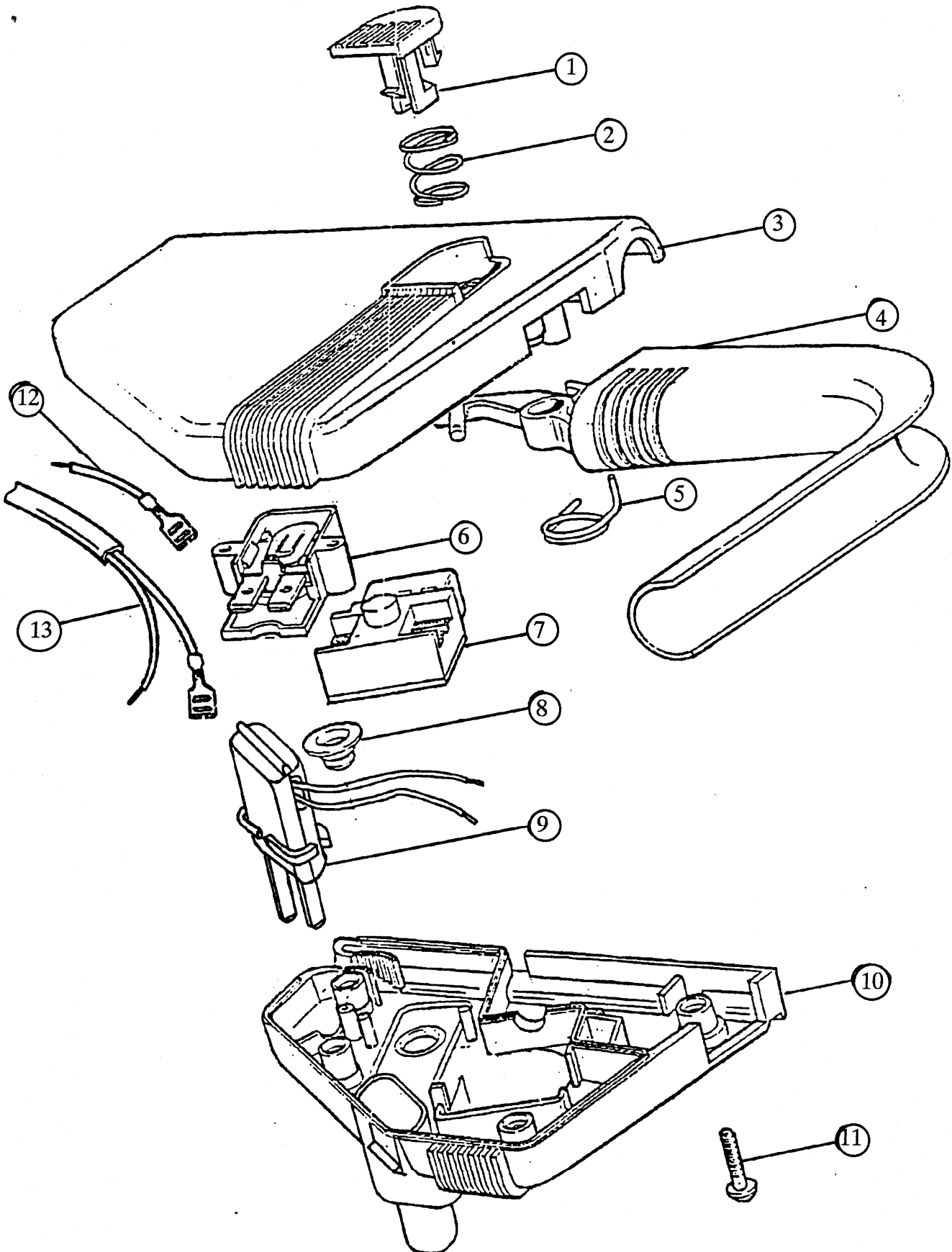


**DELTA SWITCHBOX  
U.K. VARIANT**





## DELTA SWITCHBOX UK VARIANT

Key	Part No	Description																		
			<i>RE350-6 9643509-25</i>	<i>RE350-6 9643510-18</i>	<i>RXE250 9632541-25</i>	<i>RXE 300 9633051-25</i>														
1	5127008-00/0	Lock off	1	1	1	1														
2	5148658-00/7	Spring	1	1	1	1														
3	5148794-01/8	Switchbox upper	1	1	1	1														
4	5106481-00/4	Lever	1	1	1	1														
5	5148657-00/9	Torsion spring	1	1	1	1														
6	5127030-00/4	Thermal cut out	1																	
	5127030-01/2	Thermal cut out				1														
	5127030-02/0	Thermal cut out		1																
7	5137786-00/9	Switch	1	1																
	5137685-00/3	Switch			1	1														
8	5148654-00/6	Sleeve	1	1		1														
9	5137686-00/1	Pin retainer	1	1	1	1														
10	5106415-02/8	Switchbox lower			1															
	5106415-03/6	Switchbox lower	1	1		1														
11	5148552-01/0	Screw	4	4	4	4														
12	5148773-00/4	Internal lead	1	1		1														
13	5148814-00/6	Lead assembly	1	1																
	5148814-03/0	Lead assembly				1														
	5148814-04/8	Lead assembly			1															

**WHERE A PART IS FITTED TO A PARTICULAR MACHINE  
THE QUANTITY IS SHOWN IN THE RELEVANT COLUMN**