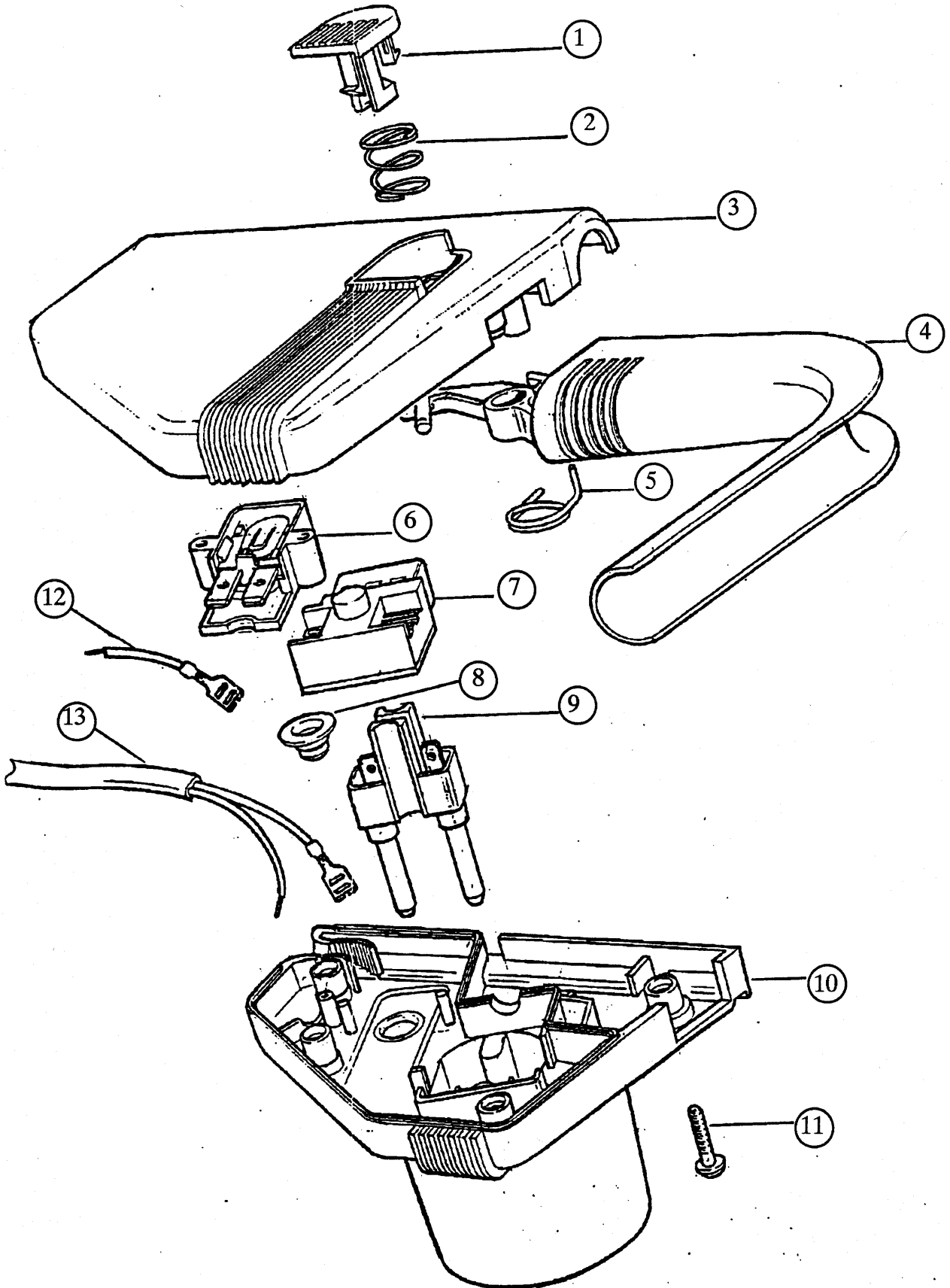


DELTA SWITCHBOX
EUROPEAN VARIANT





**DELTA SWITCHBOX
EUROPEAN VARIANT**

RE350-6 9643510-20
 RE350-6 9643510-24
 RE350-6 9643510-27
 /
 /
 /
 /
 /
 /
 /
 /
 /

Key	Part No	Description										
1	5127008-00/0	Lock off	1	1								
2	5148658-00/7	Spring	1	1								
3	5148794-01/8	Switchbox upper	1	1								
4	5106481-00/4	Lever	1	1								
5	5148657-00/9	Torsion spring	1	1								
6	5127030-02/0	Thermal cut out	1	1								
7	5137786-00/9	Switch	1	1								
8	5148654-00/6	Sleeve	1	1								
9	5148784-00/1	Pin retainer	1	1								
10	5106414-03/9	Switchbox lower	1									
	5106414-07/0	Switchbox lower		1								
11	5148552-01/0	Screw	4	4								
12	5148773-00/4	Internal lead	1	1								
13	5148814-01/4	Lead assembly	1	1								

**WHERE A PART IS FITTED TO A PARTICULAR MACHINE
THE QUANTITY IS SHOWN IN THE RELEVANT COLUMN**