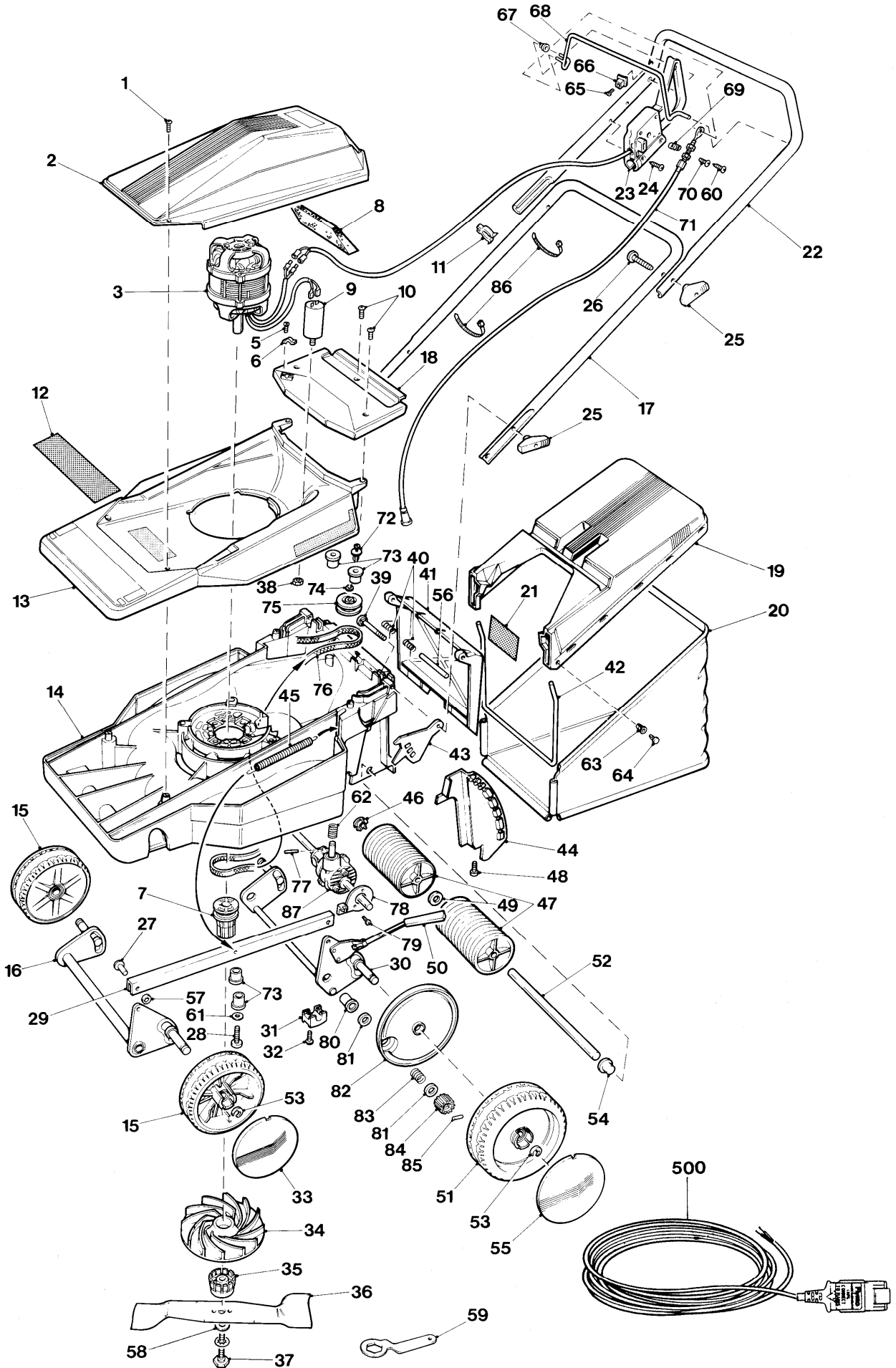




CHEVRON RE420 AUTODRIVE 9644222 POWER DRIVE





CHEVRON RE420 AUTODRIVE 9644222 POWER DRIVE

KEY No.	PART No	DESCRIPTION	QUANTITY	COMMENTS APPLICATION	KEY No.	PART No	DESCRIPTION	QUANTITY	COMMENTS APPLICATION
1	5148519-00/1	SCREW	2		43	5137810-00/7	INDEX PLATE	2	
2	5117209-00/6	COWL TOP	1	ALT 5117209-01/4	44	5126867-00/0	QUADRANT	1	
	5106352-01/5	COWL TOP	1		45	5137731-00/5	SPRING COUNTERBALANCE	1	
3	5117190-00/8	MOTOR 230V INDUCTION	1		46	5137801-00/6	CLIP AXLE	1	
5	5146941-00/9	SCREW HI-LO 04.32x16LG PAN	2		47	5126880-00/3	ROLLER	2	
6	5140705-00/4	CABLE CLAMP	1		48	5146736-00/3	SCREW HIGH/LOW	1	
7	5126878-00/7	DRIVE HUB	1		49	5140281-01/4	WASHER	1	
8	5137698-00/6	FILTER	1		50	5126874-00/6	KNOB ADJUSTER	1	
9	5137735-00/6	CAPACITOR 20UF 400V	1		51	5126920-00/7	DRIVE WHEEL ASSY	2	
10	5146824-00/7	SCREW No.11 5/8" LONG HI LOW	3		52	5137709-00/1	AXLE ROLLER	1	
11	5137811-00/5	CLIP CABLE	2		53	5148526-00/6	CIRCLIP'E'	4	
12	5137880-00/0	LABEL FLYMO POWERDRIVE	1		54	5137802-00/4	MOUNT AXLE	1	
13	5117200-00/5	COWL BASE	1	ALT 5117200-01/3	55	5126918-01/9	HUB CAP-REAR	2	
	5106351-01/7	COWL BASE RL42	1		56	5148568-00/8	SPRING GUIDE	1	
14	5106350-01/9	DECK 42CM	1		57	5148524-00/1	WASHER STARLOCK	2	
15	5126916-00/5	WHEEL ASSY FRONT	2		58	5148598-00/5	DISC SPRING	1	
16	5126868-00/8	AXLE FABRICATION	1		59	5130127-00/3	SPANNER	1	
17	5126876-01/9	HANDLE LOWER	1		60	5148522-00/5	SCREW NO.6 18x12LG	1	
18	5106357-01/4	ACCESS PANEL	1		61	5148527-00/4	WASHER	4	
19	5127002-01/1	GRASSBAG TOP	1		62	5137733-00/1	CLUTCH SPRING	1	
20	5117182-01/3	GRASSBAG	1		63	5148642-00/1	NUT	2	
21	5146467-00/5	LABEL WARNING ELECTRIC	1	GB.O/S.	64	5148643-00/9	DRIVE FASTENER	2	
	5137659-00/8	LABEL WARNING ELECTRIC	1	A.B.NL.	65	5141599-00/0	SCREW	1	
	5137885-00/9	LABEL WARNING	1	N.S.DK.	66	5137873-00/5	SWITCH LEVER GUIDE	1	
22	5126816-14/8	HANDLE LABEL ASSY	1		67	5148503-00/5	INSULATING BUSH	2	
23	5127036-01/9	SWITCHBOX ASSY	1		68	5117184-01/9	GRAB RAIL	1	
	5127037-01/7	SWITCHBOX ASSY	1	A.B.NL.	69	5137915-00/4	CLEAT	1	
	5127037-03/3	SWITCHBOX ASSY EUROPE	1	N.S.DK.	70	5148711-00/4	SCREW M4	1	
24	5146672-00/0	SCREW NO.6 POZIDRIVE RECESSED	2		71	5137892-00/5	CABLE CLUTCH	1	
25	5137679-01/4	WING NUT	4		72	5148528-00/2	PLASTIC RIVET	1	
26	5148510-00/0	BOLT NIBBED	2		73	5148509-00/2	GUIDE BUSH	4	
27	5148506-00/8	CLEVIS PIN	2		74	5148526-00/6	CIRCLIP 'E'	1	
28	5148507-00/6	SCREW	4		75	5137891-00/7	PULLEY	1	
29	5148486-00/3	LINK	1		76	5126882-00/9	DRIVE BELT	1	
30	5126927-01/0	AXLE REAR	1		77	5148478-00/0	RATCHET PIN	1	
31	5137730-00/7	CLAMP BRIDGE	2		78	5137701-01/6	ACTUATING PLATE	1	
32	5148519-00/1	SCREW	4		79	5147114-00/2	SCREW TAPTITE UNC PAN 3/8" LONG	2	
33	5126917-01/1	HUB CAP-FRONT	2		80	5148485-00/5	BUSH AXLE	2	
34*	5117357-00/3	FAN	1		81	5140281-01/4	WASHER	4	
35*	5137875-00/0	BLADE SPACER	1		82	5126884-00/5	BACK PLATE	2	
36	5117183-00/3	BLADE 42CM	1		83	5137708-00/3	RATCHET SPRING	2	
37	5148750-00/4	BLADE BOLT ASSY	1	5148754-00/4	84	5137702-00/6	RATCHET GEAR	2	
38	5148523-00/3	LOCKNUT M8	1		85	5148478-00/0	RATCHET PIN	2	
39	5148505-00/0	BOLT COACH	2		86	5147150-00/6	TIE WRAP	2	
40	5137845-00/3	SPRING RETURN	2		87	5126907-01/2	GEARBOX ASSY	1	
41	5106353-01/3	SAFETY FLAP	1		500	5126890-02/8	CABLE EXTENSION	1	
42	5126873-00/8	U-FRAME	1						

* SEE NOTES ON PAGE D1-10C

A Österreich, AUS Australia, B Belgique/Belgie, CND Canada, CH Schweiz/Suisse, D Deutschland, DK Danmark, E Espania, EI Eire, F France, GB Great Britain, I Italia, N Norge, NL Nederland, NZ New Zealand, O/S Overseas, P Portugal, S Sverige, SF Suomi, USA U.S.A., ZA South Africa

WHERE NO APPLICATION DETAILS ARE SHOWN, PART APPLIES TO ALL COUNTRIES

PRODUCT VARIANT
9644222-25 GB
9644222-72 A.B.NL

9644222-74 N.S.DK.