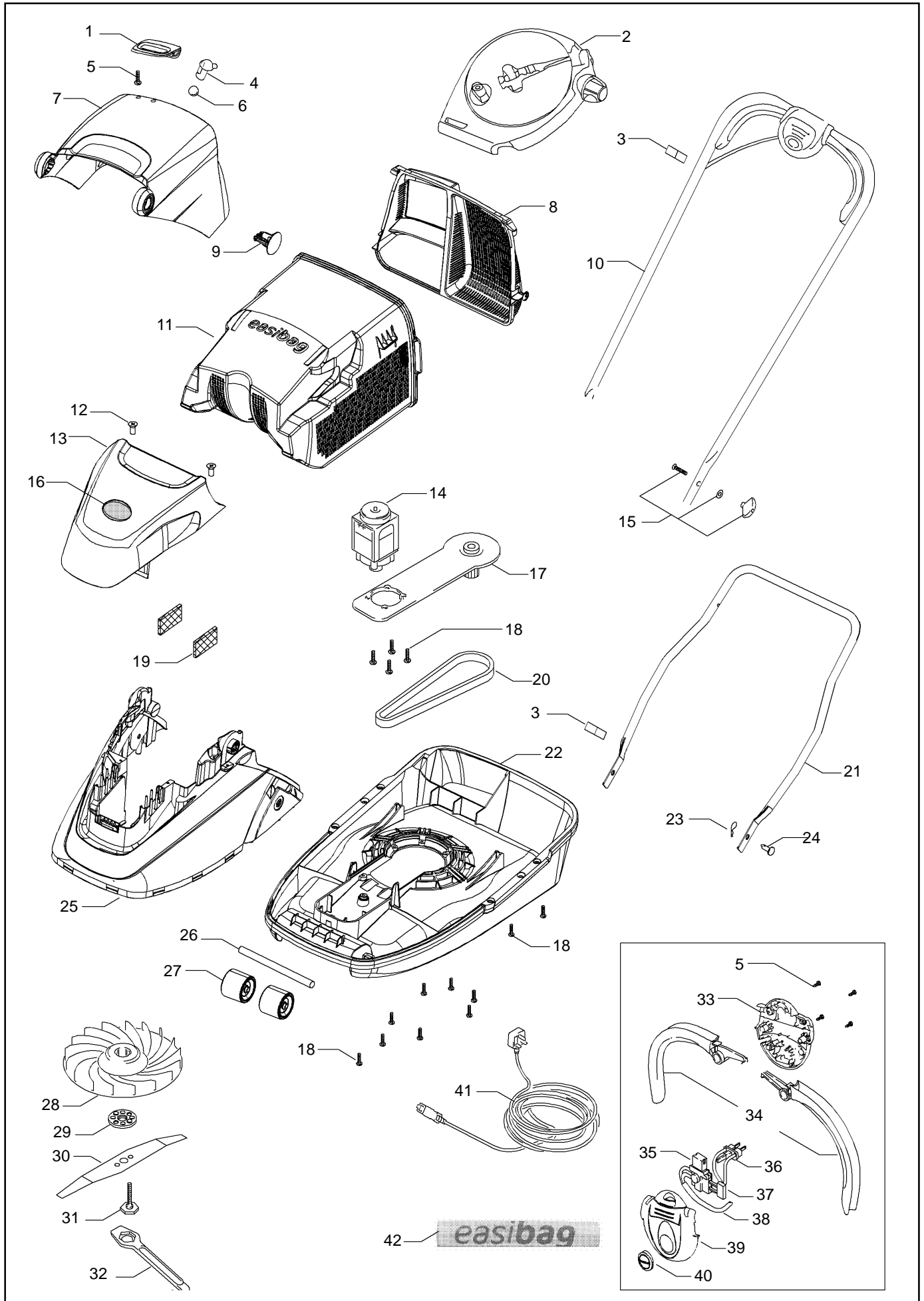


This replace AP0501001



Item	PNC	Description	Qty	Notes
1	511 97 23-00	HANDLE - LID BAGGER	1	
2	964 66 30-01	EASI REAL ACCESSORY UK	1	
3	513 85 74-00	CABLE CLIP	2	
4	512 77 11-00	LENS:INDICATOR	1	
5	513 08 73-00	SCREW NO6X19	5	
6	514 92 77-00	BALL (YELLOW)	1	
7	510 71 61-00	LID EASIBAG 330	1	
8	511 96 90-00	SCREEN EASIBAG 330	1	
9	512 82 53-00	PIVOT PIN CLIP EASIBAG 330	2	
10	512 79 27-68	HANDLE UPPER-PLASTIC COATED	1	
11	510 71 63-00	GRASSBOX EASIBAG 330	1	
12	514 91 17-00	SCREW	2	
13	511 96 89-00	MOTOR COVER EASIBAG 330	1	
14	511 78 99-64	MOTOR AMETEK	1	
15	511 95 63-00	HANDLE FIXING KIT	1	
16	510 74 06-01	BADGE	1	
17	511 96 21-01	DRIVE ASSY TCV	1	
18	513 11 91-00	SCREW-CAP. WASHER 6 SPLINE	16	
19	513 83 39-00	FILTER	2	
20	513 05 03-00	BELT	1	
21	511 96 91-00	HANDLE LOWER EASIBAG 330	1	
22	510 72 24-00	HOOD EASIBAG	1	
23	514 04 23-00	SPRING CLIP SMALL	2	
24	514 00 92-03	PIVOT PIN	2	
25	510 71 62-00	CASING EASIBAG 330	1	
26	514 96 11-00	AXLE TUBE	1	
27	512 77 35-00	ROLLER-SEGMENT	2	
28	511 72 27-05	IMPELLER TC	1	
29	513 81 10-01	BLADE SPACER	3	
30	511 83 57-00	BLADE 33CM	1	
31	513 11 33-00	BLADE BOLT ASSEMBLY	1	
32	510 77 80-64	SPANNER PLASTIC - ORANGE	1	
33	511 94 57-68	SWITCHBOX LOWER UK INLET	1	UK
34	513 08 96-00	SWITCHBOX LEVERS KIT	1	
35	513 05 04-00	SWITCH 8A 250V	1	
36	512 76 96-00	PIN - RETAINER ASSY UK E330	1	UK
37	514 83 97-01	CAPACITOR	1	
38	511 94 31-00	LEAD ASSY	1	Square
39	511 94 56-68	SWITCHBOX UPPER GREY	1	
40	513 10 30-64	BUTTON LOCK-OFF ORANGE	1	
41	512 72 50-06	EXTENSION CABLE MLD CONN/PL	1	
42	512 72 76-87	COMPOSTABLE BAGS (QTY 10)	1	Qty 10