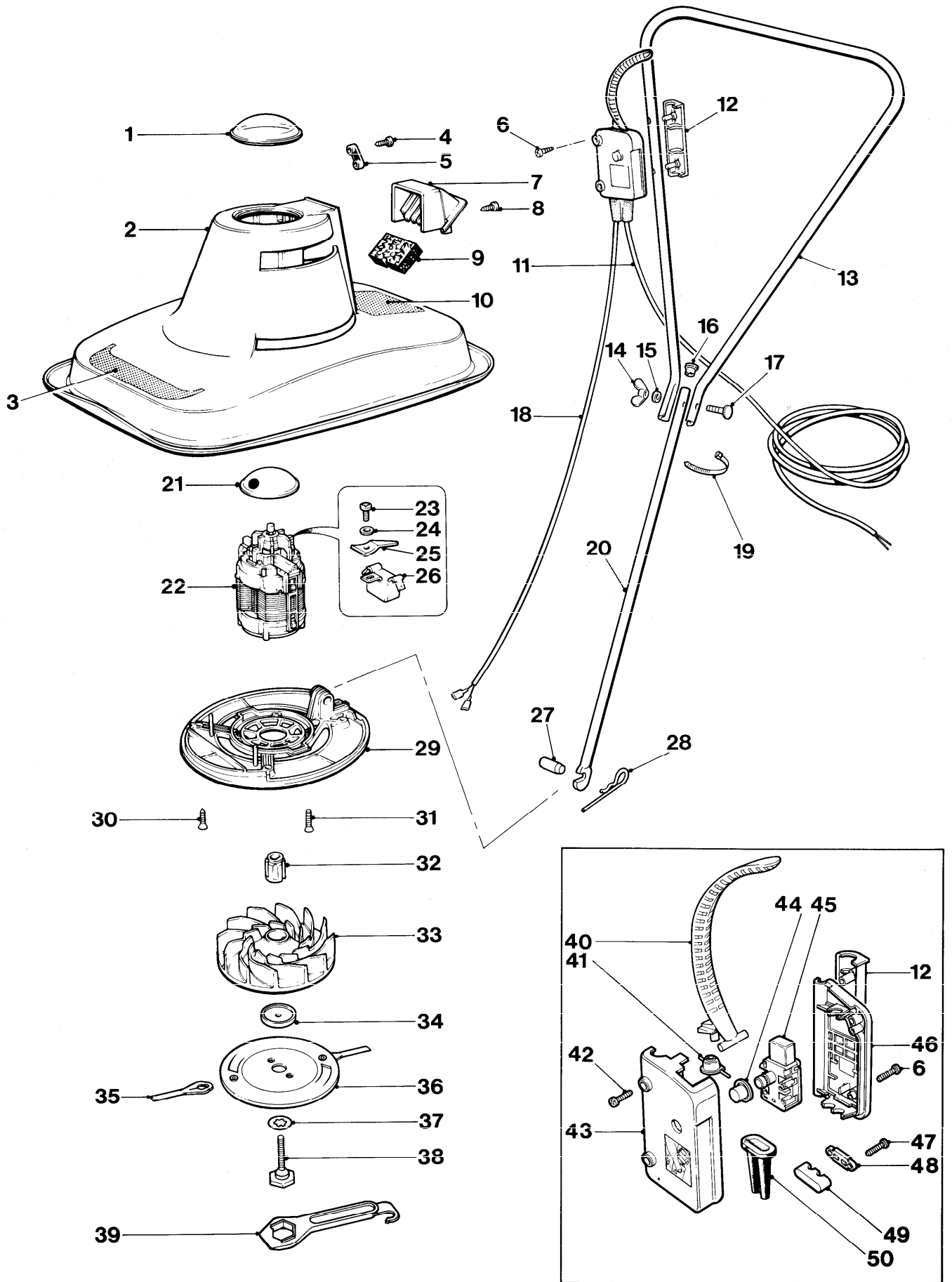




MINIMO-S 9632501-25





MINIMO-S 9632501-25

KEY No.	PART No	DESCRIPTION	QUANTITY	COMMENTS APPLICATION	KEY No.	PART No	DESCRIPTION	QUANTITY	COMMENTS APPLICATION
1	5126120-02/0	LENS	1		45	5148440-00/0	SWITCH WIRE-TRAP	1	
2	5106037-03/8	HOOD 25cm	1		46	5106264-01/2	SWITCH BOX COVER	1	
3	5137663-00/0	LABEL FLYMO MINIMO-S	1		48	5146616-00/7	CLAMP CABLE	1	
4	5146941-00/9	SCREW HI-LO 04.32 x 16LG PAN	2		49	5137509-00/5	CABLE CLAMP BASE	1	
5	5140705-00/4	CABLE CLAMP	1		50	5141584-01/0	SLEEVE PROTECTION	1	
6	5146672-00/0	SCREW GKN POLYMATE	6						
7	5116330-02/7	FILTER SHROUD	1						
8	5146941-00/9	SCREW HI-LO 04.32 x 16LG PAN	1						
9	5146738-00/9	FILTER	1						
10	5146467-00/5	LABEL WARNING ELECTRIC	1						
11	5147001-50/6	LEAD TERMINAL 12.2MT	1						
12	5116959-01/5	SWITCHBOX RETAINER	1						
13	5126816-01/5	HANDLE/LABEL ASSY	1						
14	5146684-00/5	WING NUT	1						
15	5140266-00/7	WASHER	1						
16	5146742-00/1	CAP	1						
17	5146685-00/2	BOLT HANDLE 1/4UNC x 35LG	1						
18	5147001-46/4	LEAD INTERNAL	1						
19	5147150-00/6	TIE WRAP	1						
20	5126178-00/2	HANDLE LOWER PLASTIC COATED	1						
21	5136241-01/4	DISC WARNING ASSY	1						
22	5126534-01/4	MOTOR 240 VOLT	1	GB					
	5126534-02/2	MOTOR 220 VOLT	1	EI					
23	7241293-61/7	SCREW THREAD FORMING	1						
24	7352136-51/4	LOCKWASHER	1						
25	113721-00/5	CLIP	1						
26	113030-01/9	SUPPRESSOR 0.15 MF	1						
27	5146872-00/6	HINGE PIN	1						
28	5146877-00/5	CLIP RETAINING SPRING	1						
29	5106045-00/7	MOTOR MOUNTING BRACKET	1						
30	5146736-00/3	SCREW HIGH/LOW	4						
31	5146866-00/8	SCREW M5 x 16LG CSK	4						
32	5136297-00/8	INSERT IMPELLER	1						
33	5116283-00/2	IMPELLER	1						
34	5136240-01/6	BLADE SPACER	1						
35	5148257-02/4	CUTTER PLASTIC LONG LIFE	2						
36	5137557-00/4	DISC ASSY	1						
37	5148259-00/4	WASHER ANTI FRICTION PTFE	1						
38	5137608-00/5	BLADE BOLT C/W PTFE WASHER	1						
39	5126682-00/3	SPANNER/SCRAPER ABS	1						
40	5116963-00/9	SWITCH ACTUATING LEVER	1						
41	5130406-01/9	SEAL CONE	1						
43	5106263-01/4	SWITCH BOX BODY	1						
44	5148253-00/7	COVER LOCK-OFF	1						

WHERE NO APPLICATION DETAILS ARE SHOWN, PART APPLIES TO ALL COUNTRIES

PRODUCT VARIANT

9632501-25 GB

9632502-18 EI