



REPAIR PARTS MANUAL
MODEL NO. 277121
Lawn Tractor



HOW TO USE THIS MANUAL

This manual is designed to provide the customer with a means to identify the parts on his/her tractor when ordering repair parts. The illustrations may or may not represent the actual assemblies; therefore, it is not recommended to use this manual as a guide to assemble or disassemble the tractor. Some hardware and parts are drawn larger in order to more readily identify them.

Each tractor has its own model number.

The model number for your tractor can be found on the fender under the seat.

When ordering parts, always give the following information:

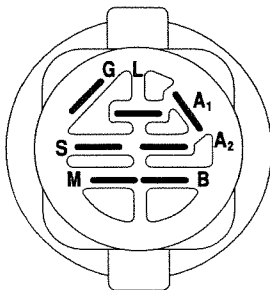
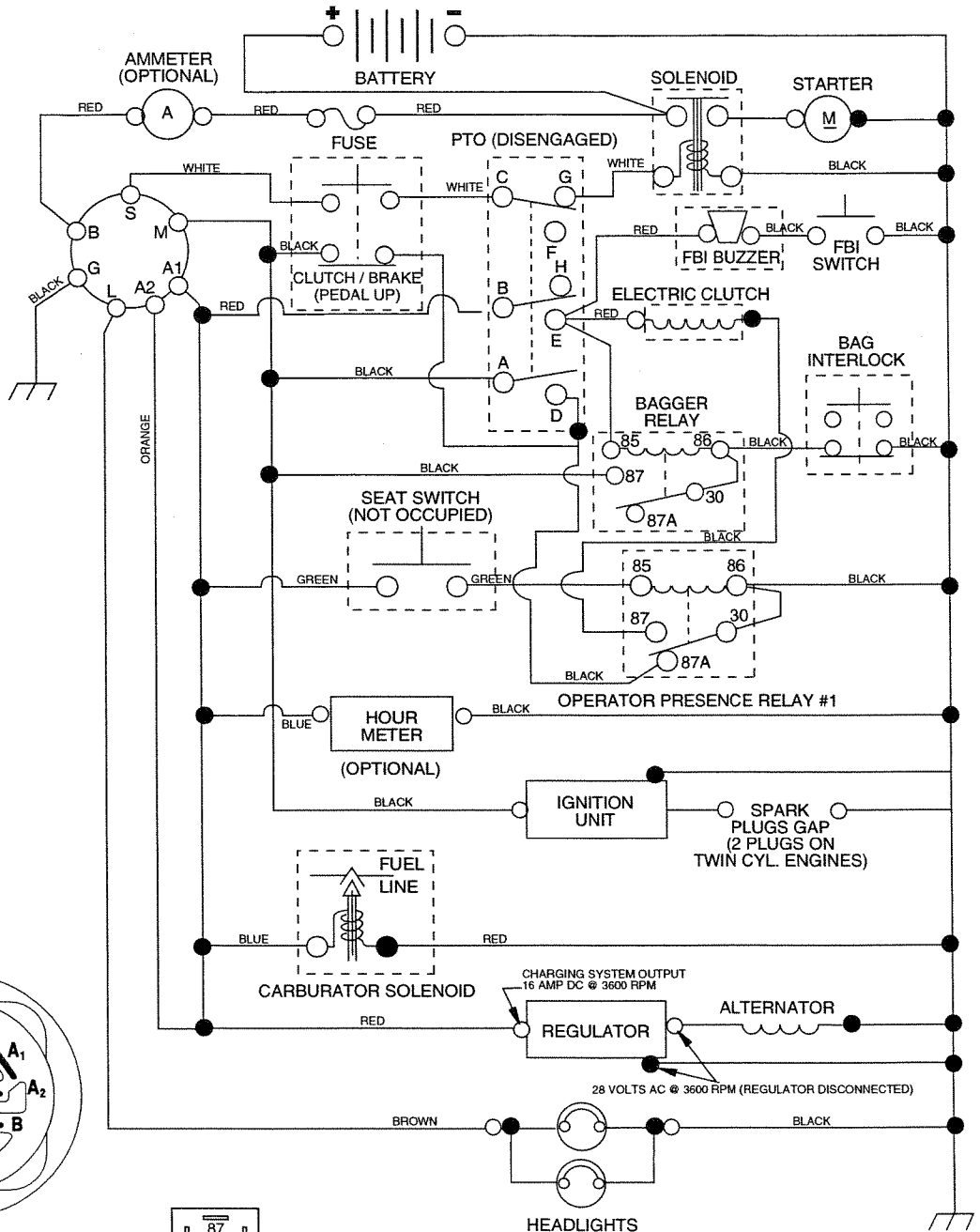
- Product - "Tractor"
- Model Number - 277121
- Part Number
- Part Description

TABLE OF CONTENTS

| | |
|------------------------------|--------------|
| SCHEMATIC | 3 |
| ELECTRICAL..... | 4-5 |
| CHASSIS..... | 6-7 |
| DRIVE..... | 8-9 |
| STEERING | 10-11 |
| SEAT | 12 |
| DECALS..... | 13 |
| ENGINE..... | 14 |
| MOWER LIFT | 15 |
| MOWER DECK | 16-17 |
| BAGGER..... | 18-19 |
| TRANSAXLE..... | 20-21 |
| ENGINE BREAKDOWN..... | 22-26 |
| WARRANTY..... | 27 |

TRACTOR- -MODEL NO. 917.277121

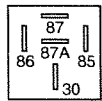
SCHEMATIC



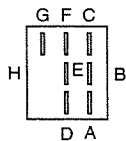
IGNITION SWITCH

| POSITION | CIRCUIT | "MAKE" |
|-----------|------------|--------|
| OFF | M+G+A1 | NONE |
| RUN/LIGHT | B+A1 | A2+L |
| RUN | B+A1 | NONE |
| START | B + S + A1 | NONE |

WIRING INSULATED CLIPS
 NOTE: IF WIRING INSULATED CLIPS WERE REMOVED FOR SERVICING OF UNIT, THEY SHOULD BE REPLACED TO PROPERLY SECURE YOUR WIRING.



RELAY



PTO SWITCH

| POSITION | CIRCUIT |
|----------|---------------------|
| OFF | C + G, B + H |
| ON | C + F, B + E, A + D |

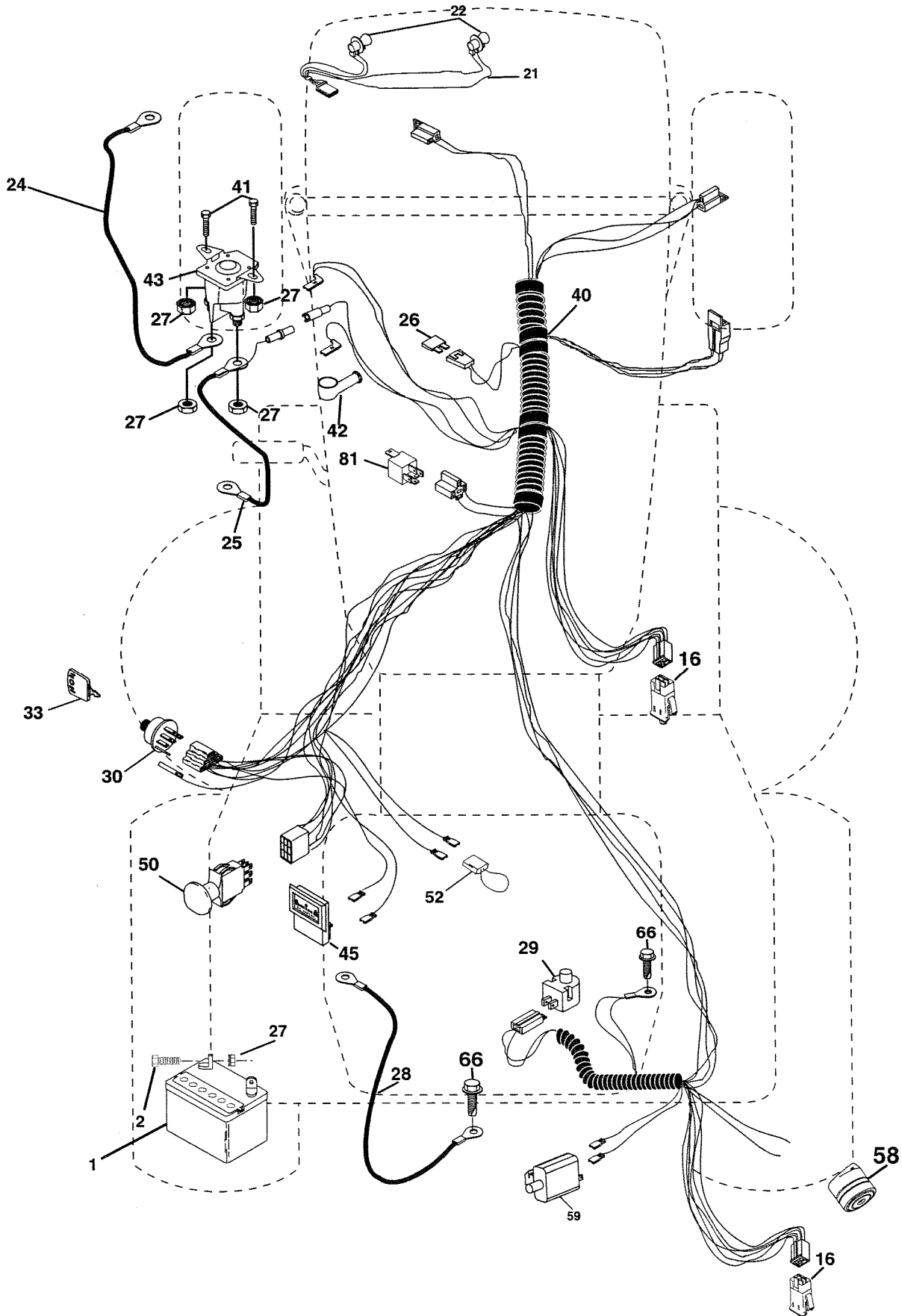
● **NON-REMOVABLE CONNECTIONS**

○ **REMOVABLE CONNECTIONS**

REPAIR PARTS

TRACTOR- -MODEL NO. 917.277121

ELECTRICAL



REPAIR PARTS

TRACTOR- -MODEL NO. 917.277121

ELECTRICAL

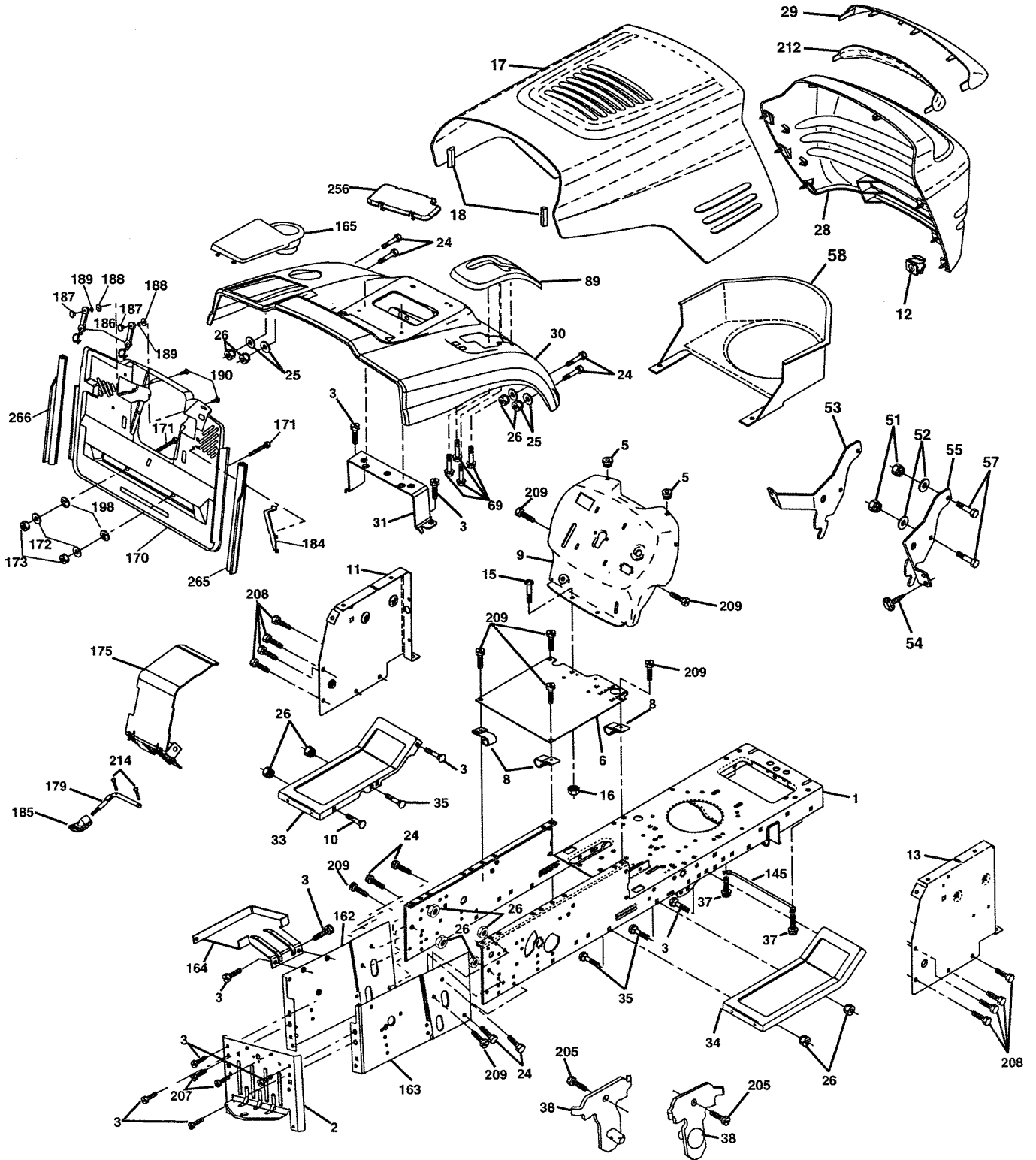
| KEY NO. | PART NO. | DESCRIPTION |
|---------|----------|-----------------------------------|
| 1 | 144927 | Battery |
| 2 | 74760412 | Bolt Hex Hd 1/4-20 Unc X 3/4 |
| 16 | 176138 | Switch Interlock |
| 21 | 175688 | Harness Asm Light W/4152J |
| 22 | 4152J | Bulb Light #1156 |
| 24 | 4799J | Cable Starter 6Ga 11" Red |
| 25 | 165987 | Cable Battery Crd 56" Red |
| 26 | 175158 | Fuse |
| 27 | 73510400 | Nut Keps Hex 1/4-20 Unc |
| 28 | 127725X | Cable Ground 6Ga 18" Black |
| 29 | 160784 | Switch Plunger |
| 30 | 175566 | Switch Ignition |
| 33 | 140403 | Key Ign |
| 40 | 179727 | Harness Ign |
| 41 | 71110408 | Bolt Flk Fin Hex 1/4-20 Unc X 1/2 |
| 42 | 131563 | Cover Terminal Red |
| 43 | 178861 | Solenoid |
| 45 | 122822X | Ammeter Rectangular |
| 50 | 174652 | Switch PTO. |
| 51 | 140405 | Ring Retainer PTO |
| 52 | 141940 | Protection Wire Loop |
| 58 | 169419 | Buzzer Crd |
| 59 | 180379 | Switch FBI CRD |
| 66 | 17490608 | Screw Thdrol 3/8-16 x 1/2 Ty-Tt |
| 81 | 109748 | Relay Asm |

NOTE: All component dimensions given in U.S. inches.
1 inch = 25.4 mm.

REPAIR PARTS

TRACTOR- -MODEL NO. 917.277121

CHASSIS AND ENCLOSURES



REPAIR PARTS

TRACTOR- -MODEL NO. 917.277121

CHASSIS AND ENCLOSURES

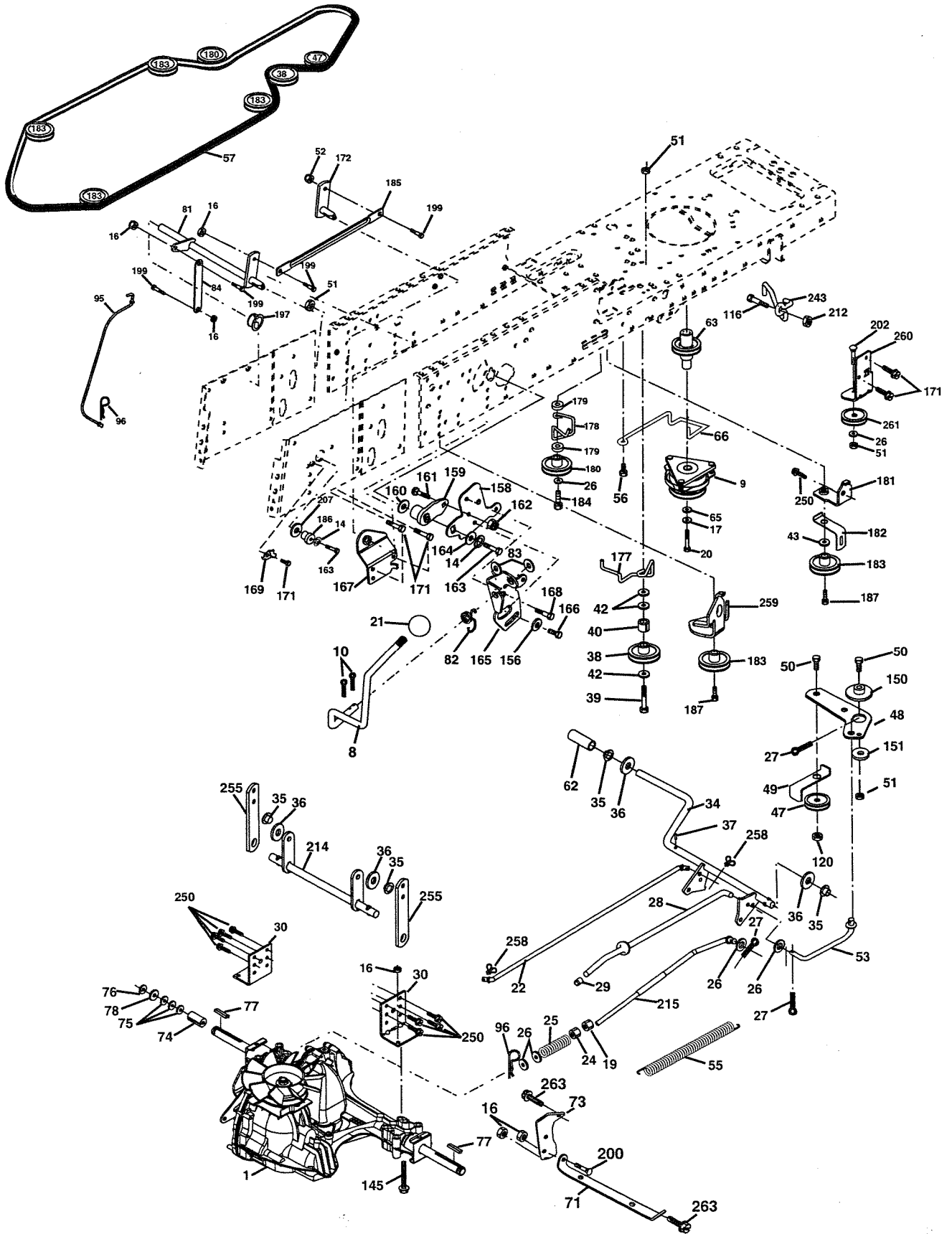
| KEY NO. | PART NO. | DESCRIPTION | KEY NO. | PART NO. | DESCRIPTION |
|---------|------------|---|---------|------------|-----------------------------------|
| 1 | 174620 | Chassis | 58 | 174930 | Duct Air Engine Pl/Lt |
| 2 | 180384 | Drawbar | 69 | 142432 | Screw Hex 1/4-1/2 |
| 3 | 17060612 | Screw 3/8-16 x .75 | 89 | 177287X428 | Console |
| 5 | 155272 | Bumper Hood/Dash | 145 | 156524 | Rod Pivot Chassis/Hood |
| 6 | 184419 | Saddle | 162 | 180382 | Bracket Exten Chassis Lh CRD |
| 8 | 126471X | Clip Insulator 13/32 Mtg. Hole | 163 | 180383 | Bracket Exten Chassis Rh CRD |
| 9 | 168352X012 | Dash | 164 | 165605 | Support Battery CRD |
| 10 | 72140608 | Bolt, Carriage 3/8-16 x 3/4 | 165 | 179020X428 | Cover Battery CRD |
| 11 | 174996 | Panel, Dash, L.H. | 170 | 178862 | Backplate CRD |
| 12 | 145660 | Clip Tinnerman Grille P/L | 171 | 72140620 | Bolt Rdhd Sqnk 3/8-16 x 2-1/2 G5 |
| 13 | 172106 | Panel, Asm. Dash R.H. | 172 | 19132016 | Washer 13/32 x 1-1/4 x 16 Ga. |
| 15 | 74180512 | Screw, Machine, Truss Head 5/16-18 UNC x 3/4 | 173 | 73510600 | Nut, Keps Hex 3/8-16 UNC |
| 16 | 73510500 | Nut | 175 | 180310 | Trap Door CRD |
| 17 | 144983X558 | Hood Assembly | 179 | 180376 | Rod Pivot FBI CRD |
| 18 | 184921 | Bumper Hood | 184 | 174662 | Bracket Actuator Bagger CRD |
| 24 | 74780616 | Bolt | 185 | 179608X505 | Knob Rod |
| 25 | 19131312 | Washer 13/32 x 13/16 x 12 Gauge | 186 | 160793 | Latch Asm Multch Bagger |
| 26 | 73800600 | Nut | 187 | 2029J | Nut Weld .327/.304 #10-24 |
| 28 | 178987X558 | Grille Lens Asm | 188 | 19061216 | Washer #10 |
| 29 | 155217X599 | Lens | 189 | 10071000 | Washer Lock #10 |
| 30 | 169962X558 | Fender | 190 | 71081010 | Screw Pan Hd Phillips 10-24 x 5/8 |
| 31 | 165156 | Bracket, Fender Support | 198 | 168937 | Nut Push |
| 33 | 179716X558 | Footrest, L.H. | 205 | 17490608 | Screw 3/8-16 x 1/2 |
| 34 | 179717X558 | Footrest, R.H. | 207 | 17670508 | Screw 5/16-18 x 1/2 |
| 35 | 72110606 | Bolt | 208 | 17670608 | Screw Thdrol 3/8-16 x 1/2 |
| 37 | 17490508 | Screw Thdrol 5/16-18 x 1/2 TYT | 209 | 17000612 | Screw Hex Wsh Thdrol 3/8-16 x 3/4 |
| 38 | 181748 | Bracket Asm Pivot Mower Rear | 212 | 165919 | Insert Lens Reflective |
| 51 | 73800400 | Nut Lock w/Insert 1/4-20 UNC | 214 | 4497H | Retainer Spring 1" |
| 52 | 19091416 | Washer 9/32 x 7/8 x 16 Ga. | 256 | 180810X428 | Cover Fender Rack CRD |
| 53 | 145201 | Bracket Grille Lh | 265 | 185704 | Seal Side RH |
| 54 | 161464 | Screw Hex Wshd 8-18 x 7/8 | 266 | 185703 | Seal Side LH |
| 55 | 145202 | Bracket Grille Rh | | | |
| 57 | 74780412 | Bolt, Fin Hex 1/4-20 UNC x .75 | | | |

NOTE: All component dimensions given in U.S. inches.
1 inch = 25.4 mm.

REPAIR PARTS

TRACTOR- -MODEL NO. 917.277121

DRIVE



REPAIR PARTS

TRACTOR- -MODEL NO. 917.277121

DRIVE

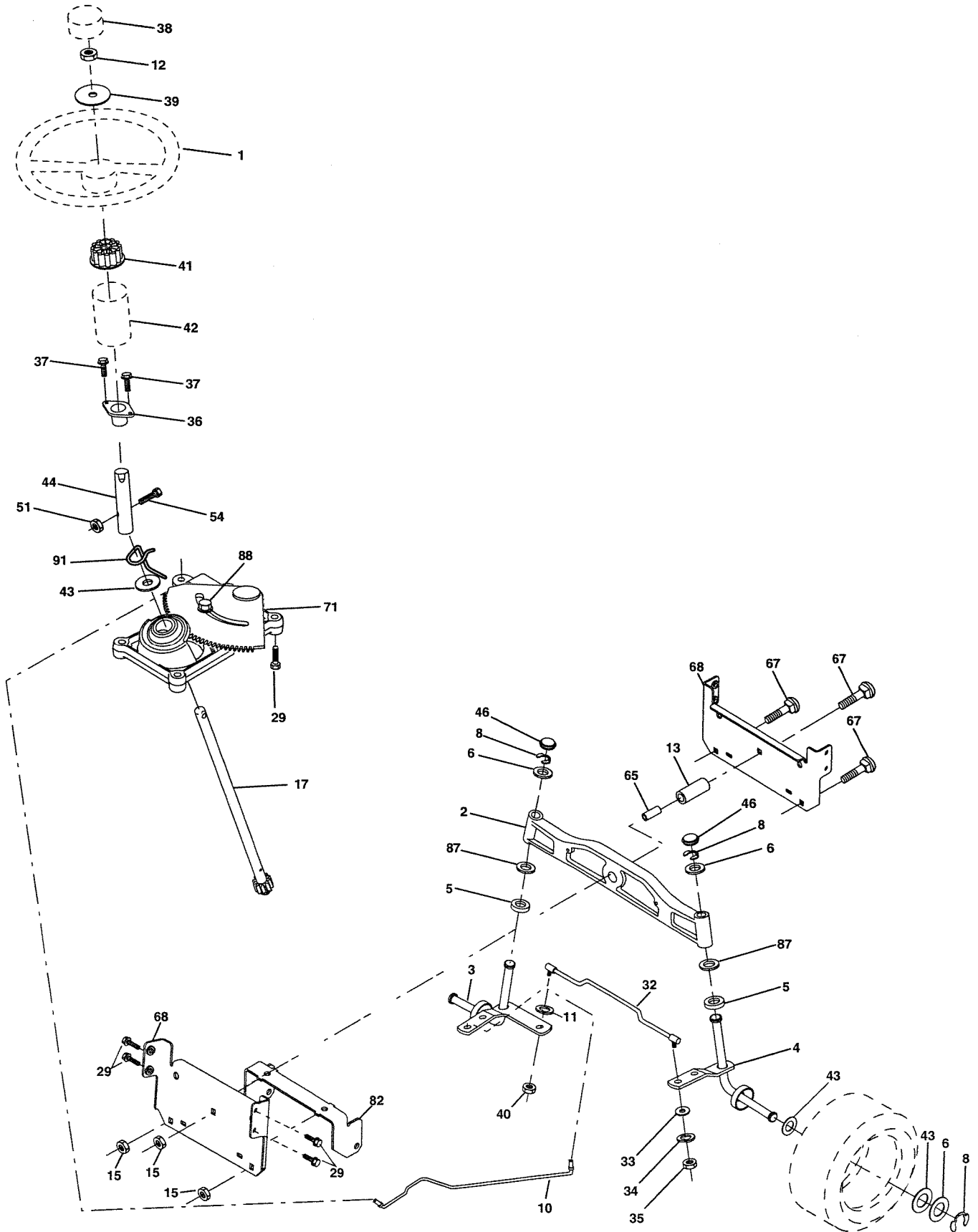
| KEY NO. | PART NO. | DESCRIPTION | KEY NO. | PART NO. | DESCRIPTION |
|---------|----------|---|---------|----------|-------------------------------------|
| 1 | ----- | Transaxle Hydro Gear 321-0510 (See Breakdown)) | 95 | 170015 | Control Asm Bypass Hydro |
| 8 | 165619 | Rod, Shift Fender Adjust Lt | 96 | 4497H | Spring, Retainer 1" |
| 9 | 180220 | Clutch Elec. | 116 | 72140608 | Bolt RDHD Spnk 3/8-16 x 1 |
| 10 | 76020416 | Pin, Cotter 1/8 x 1 | 120 | 73900600 | Nut Lock Flg. 3/8-16 Unc |
| 14 | 10040400 | Washer, Lock Hvy Helical | 145 | 74490544 | Bolt Hex FGHD 5/16-18 x Gr 5 |
| 16 | 73800500 | Nut, Lock Hex w/Ins 5/16-18 UNC | 150 | 165850 | Bushing, Bellcrank Grnd Dr |
| 17 | 126197X | Washer 1 1/2 x 15/32 x 1/4 | 151 | 19133210 | Washer 13/32 x 2 x 10 Ga. |
| 19 | 73800600 | Nut Lock Hex w/Ins. 3/8-16 Unc | 156 | 166002 | Washer Srrted 5/16ID x 1.125 |
| 20 | 71170764 | Bolt Hex 7/16-20 x 4 x Gr. 5 | 158 | 165589 | Bracket Shift Mount |
| 21 | 130564 | Knob | 159 | 183900 | Hub Tapered Flange Shift Lt |
| 22 | 175607 | Rod, Brake | 160 | 19292016 | Washer 29/32 x 1-1/4 x 16 Ga. |
| 24 | 73350600 | Nut | 161 | 72140406 | Bolt Rdhd Sqnk 1/4-20 x 3/4 Gr 5 |
| 25 | 106888X | Spring, Rod, Brake | 162 | 73680400 | Nut Crownlock 1/4-20 Unc |
| 26 | 19131316 | Washer 13/32 x 13/16 x 16 Ga. | 163 | 74780416 | Bolt Hex Fin 1/4-20 Unc x 1 Gr 5 |
| 27 | 76020412 | Pin, Cotter 1/8 x 3/4 | 164 | 19091010 | Washer 5/8 x .281 x 10 Ga. |
| 28 | 175765 | Rod, Parking Brake | 165 | 165623 | Bracket Pivot Lever |
| 29 | 071673 | Cap, Parking Brake | 166 | 166880 | Screw 5/16-18 x 5/8 |
| 30 | 169592 | Bracket, Mfg. Transaxle | 167 | 165588 | Bracket Support Shift CRD |
| 34 | 175578 | Shaft, Asm Pedal Foot CRD | 168 | 165492 | Bolt Shoulder 5/16-18 x .561 |
| 35 | 120183X | Bearing, Nylon | 169 | 165580 | Plate Fastening Lt |
| 36 | 19211616 | Washer 21/32 x 1 x 16 Ga. | 171 | 17490608 | Screw Thdrol 3/8-16 x 1/2 Ty-Tt |
| 37 | 1572H | Pin, Roll 3/16 x 1" | 172 | 170271 | Shaft Asm Shifter Frt CRD |
| 38 | 165936 | Pulley Flat Composite 3.06" | 177 | 165932 | Keeper Flat Idler 3.06" CRD |
| 39 | 74760644 | Bolt Fin Hex 3/8-16 Unc x 2-3/4 | 178 | 165933 | Keeper Belt Idler 1.88" CRD |
| 40 | 4470J | Spacer, Split 395 x 59 Bzp | 179 | 120958X | Washer Sintered |
| 42 | 19131312 | Washer 13/32 x 13/16 x 12 Ga. | 180 | 165630 | Pulley, Idler, Flat 1.88"CRD |
| 43 | 19111012 | Washer 11/32 x 5/8 x 12 Ga | 181 | 180211 | Bracket Idler Ground Drive CRD |
| 47 | 127783 | Pulley, Idler, V Groove Plasic | 182 | 182682 | Keeper Belt 2.5" Od V-Idler CRD |
| 48 | 154407 | Bellcrank Clutch Grnd Drv | 183 | 186007 | Pulley V-Idler 2.50" Od CRD |
| 49 | 123205X | Retainer, Belt Style Spring | 184 | 17490644 | Screw Hexwsh Thdrol 3/8-16 x 2-3/4 |
| 50 | 72110612 | Bolt Carr Sh. 3/8-16 x 1-1/2 Gr. 5 | 185 | 170008 | Link Shift |
| 51 | 73680600 | Nut, Crownlock 3/8-16 UNC | 186 | 165614 | Hub Tapered Round CRD |
| 52 | 73680500 | Nut Crownlock 5/16-18 | 187 | 17580520 | Screw Thdrol 5/16-18 x 1.25 |
| 53 | 105710X | Link, Clutch 7.66 | 197 | 169613 | Nyliner Snap-In 5/8 |
| 55 | 105709X | Spring, Return, Clutch | 199 | 169612 | Bolt Shoulder 5/16-18 Unc |
| 56 | 17060620 | Screw 3/8-16 x 1-1/4 | 200 | 72140508 | Bolt RDHD SQNK 5/16-18 x 1 |
| 57 | 170140 | V-Belt Kev 112" 0650 CRD | 202 | 72110614 | Bolt Carr. Sh. 3/8-16 x 1-3/4 Gr. 5 |
| 62 | 8883R | Cover, Pedal | 207 | 169845 | Washer Nylon Rear |
| 63 | 180397 | Pulley Engine | 212 | 145212 | Nut Hex Flange Lock |
| 65 | 10040700 | Washer | 214 | 175609 | Shaft Asm. Brake |
| 66 | 154778 | Keeper, Belt Engine F-Proof | 215 | 175652 | Rod Brake Hydro |
| 71 | 169183 | Strap, Torque, Lh | 243 | 178289 | Bracket Anti-Rotate |
| 73 | 169182 | Strap, Torque, Rh | 250 | 17060612 | Screw 3/8-16 x .75 |
| 74 | 137057 | Spacer, Split | 255 | 175608 | Brace Shaft Brake Mtg. |
| 75 | 121749X | Washer 25/32 x 1-1/4 x 16 Ga. | 258 | 178062 | Clip Retainer |
| 76 | 12000001 | Ring, E | 259 | 180212 | Bracket Pulley |
| 77 | 123583X | Key, Square | 260 | 181781 | Bracket Idler Chassis |
| 78 | 121748 | Washer 25/32 x 1-5/8 x 16 Ga. | 261 | 131494 | Pulley Idler Flat |
| 81 | 170006 | Asm, Shaft | 263 | 17000612 | Screw 3/8-16 x 3/4 |
| 82 | 165711 | Spring, Torsion | | | |
| 83 | 19171216 | Washer 17/32 x 3/4 x 16 Ga. | | | |
| 84 | 170007 | Link, Transaxle | | | |

NOTE: All component dimensions given in U.S. inches
1 inch = 25.4 mm

REPAIR PARTS

TRACTOR- -MODEL NO. 917.277121

STEERING ASSEMBLY



REPAIR PARTS

TRACTOR- -MODEL NO. 917.277121

STEERING ASSEMBLY

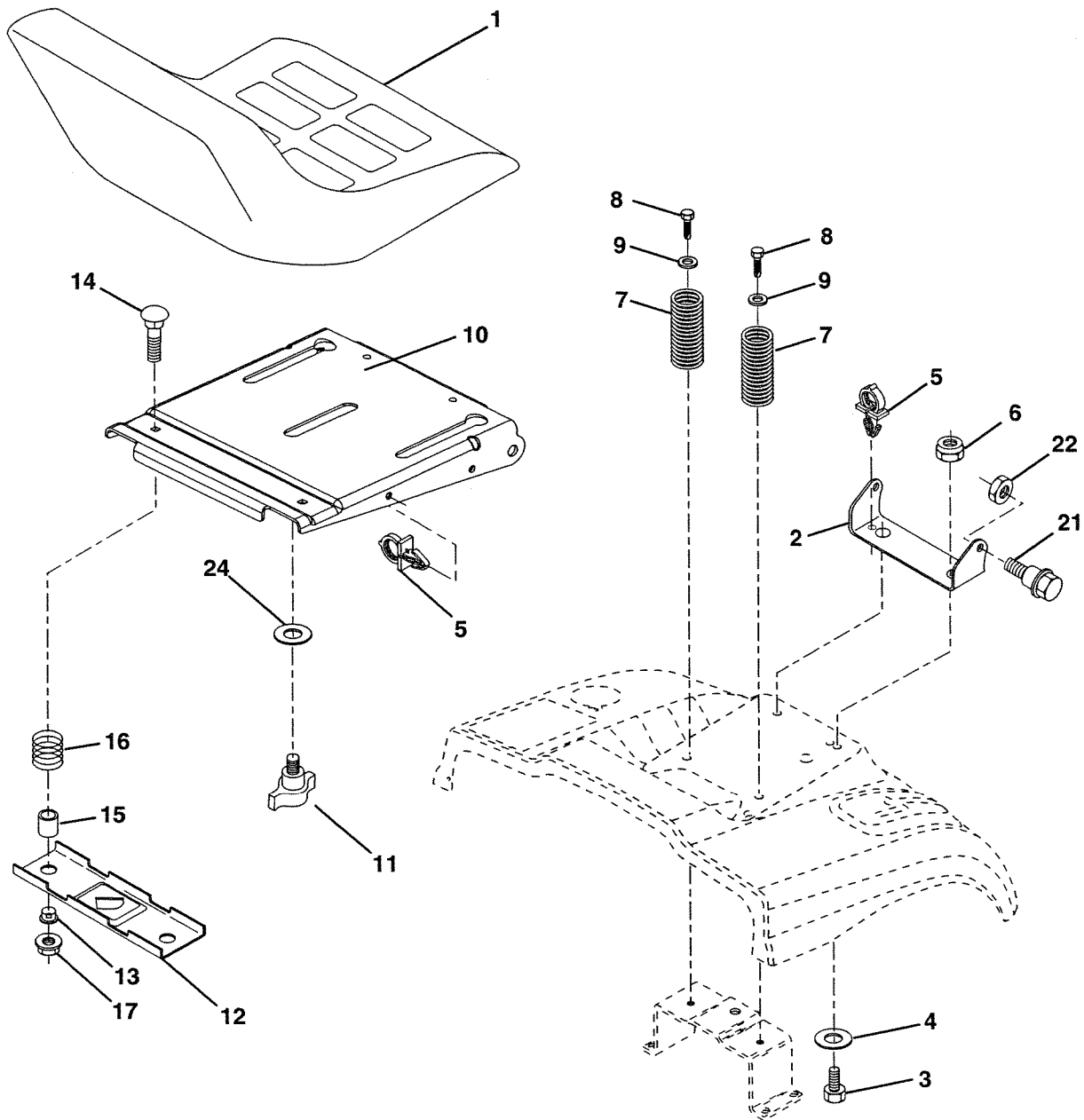
| KEY NO. | PART NO. | DESCRIPTION |
|---------|------------|----------------------------------|
| 1 | 139768 | Steering Wheel |
| 2 | 172393 | Cast Iron Axle Assembly |
| 3 | 169840 | Spindle Assembly, L.H. |
| 4 | 169839 | Spindle Assembly, R.H. |
| 5 | 6266H | Bearing, Race, Thrust, Hardened |
| 6 | 121748X | Washer 25/32 x 1-5/8 x 16 Gauge |
| 8 | 12000029 | Ring, Klip |
| 10 | 175121 | Link, Drag |
| 11 | 10040600 | Washer, Lock |
| 12 | 73940800 | Nut Hex Jam Toplock 1/2-20 Unf |
| 13 | 136518 | Spacer Brg Axle Front |
| 15 | 145212 | Nut, Hexflange Lock |
| 17 | 180641 | Shaft Assembly, Steering |
| 29 | 17060612 | Screw, 3/8-16 x 3/4 |
| 32 | 171888 | Rod, Tie |
| 33 | 19111216 | Washer 11/32 x 3/4 x 16 Ga |
| 34 | 10040500 | Washer Lock Hvy Hlcl Spr 5/16 |
| 35 | 73540500 | Nut Crownlock 5/16-24 Unf |
| 36 | 155099 | Bushing, Steering |
| 37 | 152927 | Screw TT #10-32 x 5 x 3/8 Flange |
| 38 | 139769 | Cap Wheel Steer |
| 39 | 19183812 | Washer 9/16 x 2 3/8 x 12 Ga |
| 40 | 7810H | Nut Lock Center 3/8-24 Unf |
| 41 | 100711L | Adaptor, Steering Wheel |
| 42 | 145054X428 | Boot, Steering Dash P/L Mtl |
| 43 | 121749X | Washer 25/32 x 1-1/4 x 16 Gauge |
| 44 | 180640 | Extension Steering |
| 46 | 184946X505 | Cap, Spindle |
| 51 | 73540400 | Nut Crownlock 1/4-28 |
| 54 | 71130420 | Bolt Hex 1/4-28 Unf x 1 1/4 |
| 65 | 160367 | Spacer Brace Axle |
| 67 | 72140618 | Bolt Rdhd Sq 3/8-16 UNC x 2-1/4 |
| 71 | 175146 | Steering Asm. |
| 68 | 169827 | Brace Axle |
| 82 | 169835 | Bracket Susp Chassis Front |
| 87 | 173966 | Washer Flat .781 x 1-1/2 x .14 |
| 88 | 175118 | Bolt Shoulder 7/16-20 Unc |
| 91 | 175553 | Clip Steering |

NOTE: All component dimensions given in U.S. inches.
1 inch = 25.4 mm.

REPAIR PARTS

TRACTOR- -MODEL NO. 917.277121

SEAT ASSEMBLY



| KEY NO. | PART NO. | DESCRIPTION |
|---------|----------|--------------------------------|
| 1 | 180597 | Seat |
| 2 | 180166 | Bracket Pnt Pivot Seat (blk) |
| 3 | 71110616 | Bolt Fin Hex 3/8-16 Unc x 1 |
| 4 | 19131610 | Washer Flat 13/32 x 1 x 10 Ga. |
| 5 | 145006 | Clip Push In Hinged |
| 6 | 73800600 | Nut Lock Hex 3/8-16 Unc |
| 7 | 124181X | Spring Seat Cprsn 2 250 Blk Zi |
| 8 | 17000616 | Screw 3/8-16 X 1-1/2 |
| 9 | 19131614 | Washer 13/32 X 1 X 14 Ga |
| 10 | 180186 | Pan Pnt Seat (blk) |
| 11 | 166369 | Knob Seat Adj Wingnut |
| 12 | 121246X | Bracket Pnt Mounting Switch |

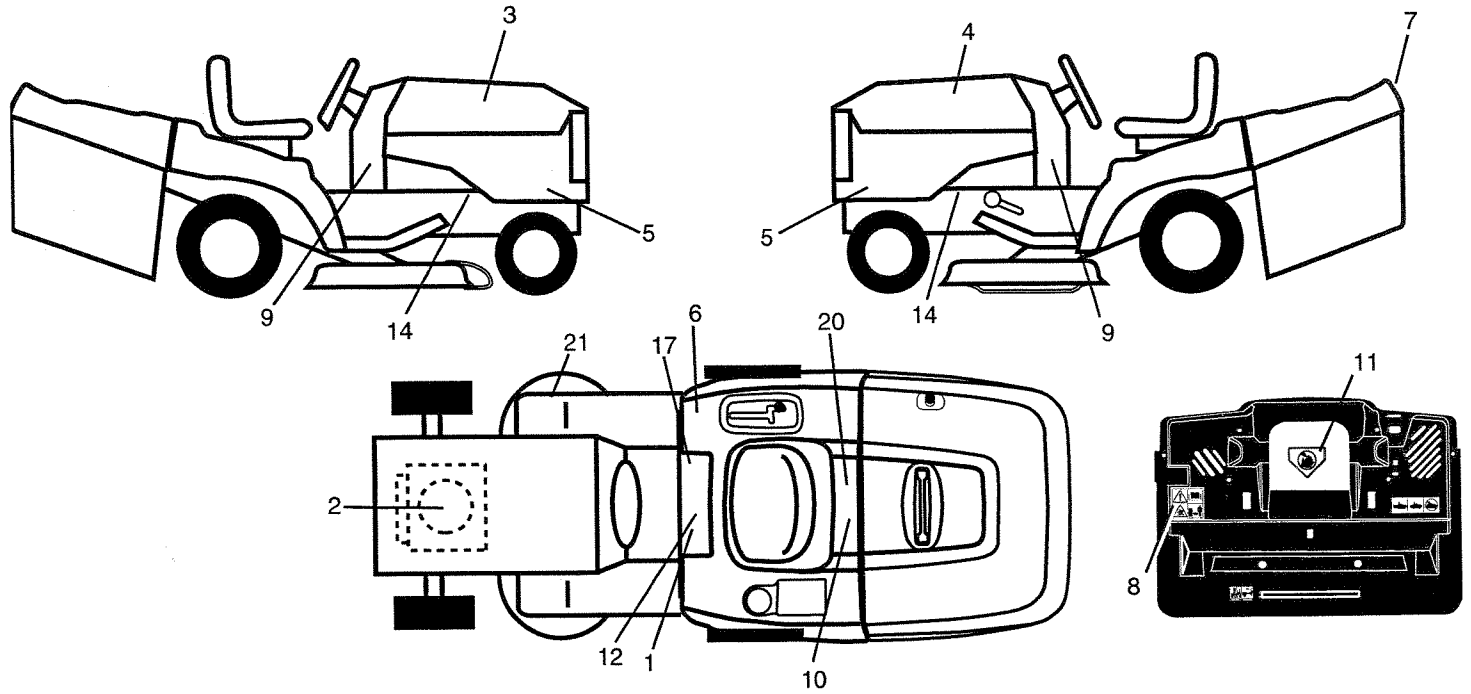
| KEY NO. | PART NO. | DESCRIPTION |
|---------|----------|--------------------------------|
| 13 | 121248X | Bushing Snap Blk Nyl 50 Id |
| 14 | 72050412 | Bolt Rdhd Sht Nk 1/4-20x1-1/2 |
| 15 | 134300 | Spacer Split |
| 16 | 121250X | Spring Cprsn |
| 17 | 123976X | Nut Lock 1/4 Lge Flg Gr 5 Zinc |
| 21 | 171852 | Bolt Shoulder 5/16-18 Unc-2A |
| 22 | 73800500 | Nut Hex Lock w/Ins 5/16-18 |
| 24 | 19171912 | Washer 17/32 X 1-3/16 X 12 Ga. |

NOTE: All component dimensions given in U.S. inches.
1 inch = 25.4 mm

REPAIR PARTS

TRACTOR- -MODEL NO. 917.277121

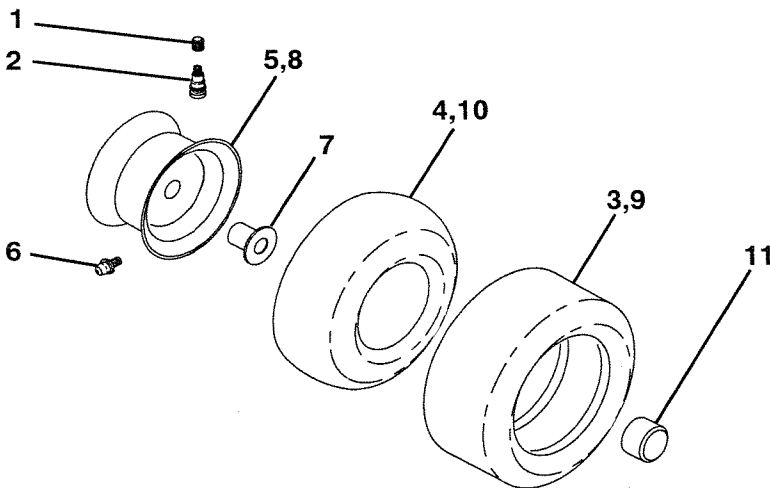
DECALS



| KEY NO. | PART NO. | DESCRIPTION |
|---------|----------|-------------------------------|
| 1 | 145498 | Decal Read Owner's Manual Sym |
| 2 | 181659 | Decal Hp Engine |
| 3 | 171696 | Decal Hood RH |
| 4 | 171697 | Decal Hood LH |
| 5 | 177253 | Decal Hood Side |
| 6 | 180432 | Decal 100 DBA/CE |
| 7 | 163204 | Decal Fender |
| 8 | 180435 | Decal Rear Plate |
| 9 | 181824 | Decal Dash Lower |
| 10 | 145005 | Decal Bat Dan/Poi P/L Sym Wpñ |

| KEY NO. | PART NO. | DESCRIPTION |
|---------|------------|-------------------------------|
| 11 | 182166 | Decal Mower Cut Finger Symbol |
| 12 | 159737 | Decal Brake/Clutch Symbol Lt |
| 14 | 159736 | Decal Chassis Hot Muffler |
| 17 | 140837 | Decal Saddle Brake Parking |
| 20 | 166960 | Decal Bypass Fender CRD |
| 21 | 166286 | Decal Hex Belt Sch |
| — | 138311 | Decal Lift Handle |
| — | 179769X428 | Pad Footrest RH |
| — | 179768X428 | Pad Footrest LH |
| — | 182621 | Decal Bagger Frame |
| — | 186518 | Manual Operator's (Scan) |
| — | 186519 | Manual Operator's (Euro) |
| — | 186520 | Manual Parts |

WHEELS & TIRES



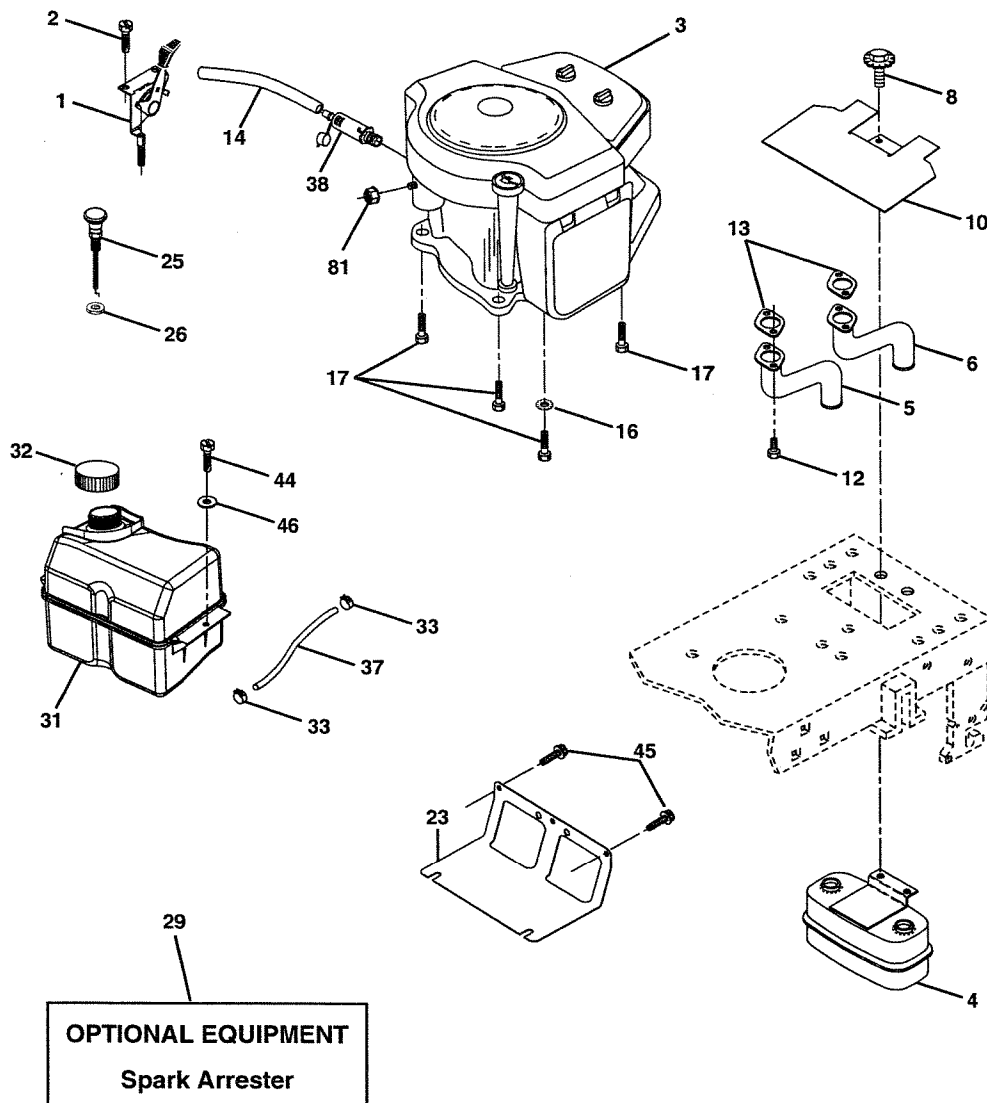
| KEY NO. | PART NO. | DESCRIPTION |
|---------|------------|--------------------------------|
| 1 | 59192 | Cap Value Tire |
| 2 | 65139 | Stem Value |
| 3 | 106222X | Tire F Ts 15 X 6 0 - 6 Service |
| 4 | 59904 | Tube Inner Front #35060 |
| 5 | 106732X624 | Rim Asm 6"front Service |
| 6 | 278H | Fitting Grease |
| 7 | 9040H | Bearing Flange |
| 8 | 106108X624 | Rim Asm 8"rear Service |
| 9 | 122082X | Tire R Ts 20 x 8-8 Service |
| 10 | 7152J | Tube Rear 9 5 X 8 Service |
| 11 | 104757X428 | Cap Axle Blk 1 50 X 1 00 |
| -- | 144334 | Sealant, Tire (10 oz. tube) |

NOTE: All component dimensions given in U.S. inches
1 inch = 25.4 mm

REPAIR PARTS

TRACTOR- -MODEL NO. 917.277121

ENGINE



| KEY NO. | PART NO. | DESCRIPTION |
|---------|----------|---|
| 1 | 170546 | Control Throt Flag |
| 2 | 17720408 | Screw Hex Thd Cut 1/4-20x1/2 |
| 3 | ----- | Engine B&S Model 407677-0232-E1 (See Engine Breakdown) |
| 4 | 149723 | Muffler Exhaust |
| 5 | 159955 | Exhaust Asm. Left |
| 6 | 160589 | Exhaust Asm. Right |
| 8 | 171877 | Bolt 5/16-18 Unc x 3/4 w/Sems |
| 10 | 162797 | Heat Shield Lt |
| 12 | 183906 | Screw Socket Head 5/16-18 x 1 |
| 13 | 165391 | Gasket Muffler |
| 14 | 148456 | Tube Drain Oil Easy |
| 16 | 11050600 | Washer Lock Ext Tooth 3/8 |
| 17 | 17060624 | Screw 3/8-16 x 1-1/2 |

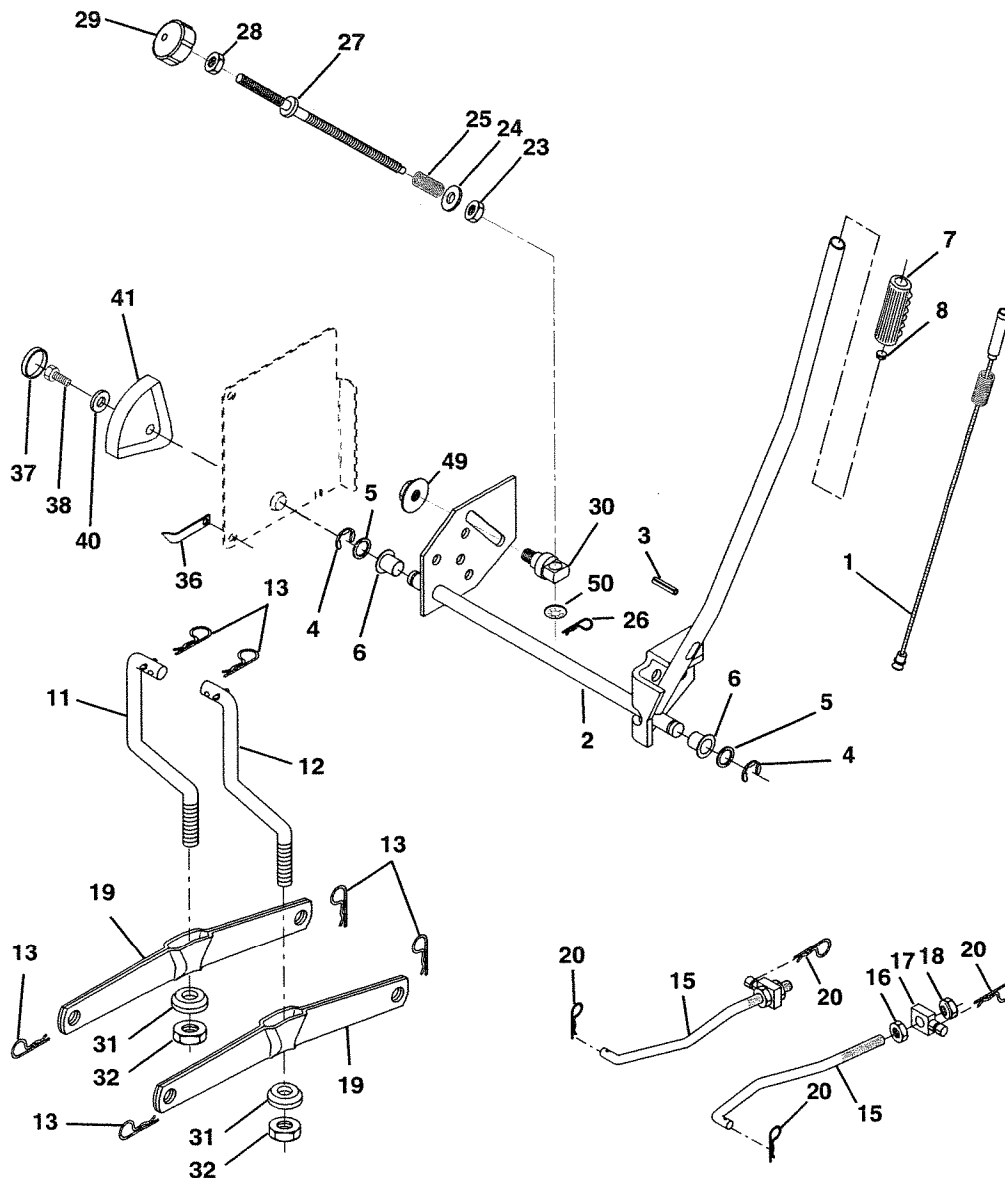
| KEY NO. | PART NO. | DESCRIPTION |
|---------|----------|----------------------------------|
| 23 | 169837 | Shield BRN/DBR Guard |
| 25 | 145996 | Control Choke |
| 26 | 73920600 | Nut Keps 3/8-24 Unf |
| 29 | 137180 | Arrestor Spark |
| 31 | 185534 | Tank Fuel Front 2.00 Gal. |
| 32 | 140527 | Cap Fuel Asm Top Vent |
| 33 | 123487X | Clamp Hose Blk |
| 37 | 137040 | Line Fuel |
| 38 | 181654 | Plug Drain Oil Easy |
| 44 | 17670412 | Screw Hexwsh Thdrol 1/4-20 x 3/4 |
| 45 | 17000612 | Screw 3/8-16 x 3/4 |
| 46 | 19091416 | Washer 9/32 X 7/8 X 16ga |
| 81 | 73510400 | Nut Keps 1/4-20 UNC |

NOTE: All component dimensions given in U.S. inches
1 inch = 25.4 mm

REPAIR PARTS

TRACTOR- -MODEL NO. 917.277121

MOWER LIFT



| KEY NO. | PART NO. | DESCRIPTION |
|---------|----------|------------------------------------|
| 1 | 159460 | Washer Asm Inner Spring W/ Plunger |
| 2 | 159471 | Shaft Asm. Lift |
| 3 | 105767X | Pin Groove |
| 4 | 12000002 | E Ring #5133-62 |
| 5 | 19211621 | Washer 21/32 x 1 x 21 Ga. |
| 6 | 120183X | Bearing Nylon |
| 7 | 125631X | Grip Handle Fluted |
| 8 | 122365X | Button Plunger Red |
| 11 | 165829 | Link Asm Lift L.H. |
| 12 | 165831 | Link Asm Lift R.H. |
| 13 | 4939M | Retainer Spring |
| 15 | 173288 | Link Front |
| 16 | 73350800 | Nut Jam Hex 1/2-13 Unc |
| 17 | 175689 | Trunnion Blk Zinc |
| 18 | 73800800 | Nut Lock w/wsh 1/2-13 Unc |
| 19 | 139868 | Arm Suspension Mower |
| 20 | 163552 | Retainer Spring |
| 23 | 110807X | Nut Special |

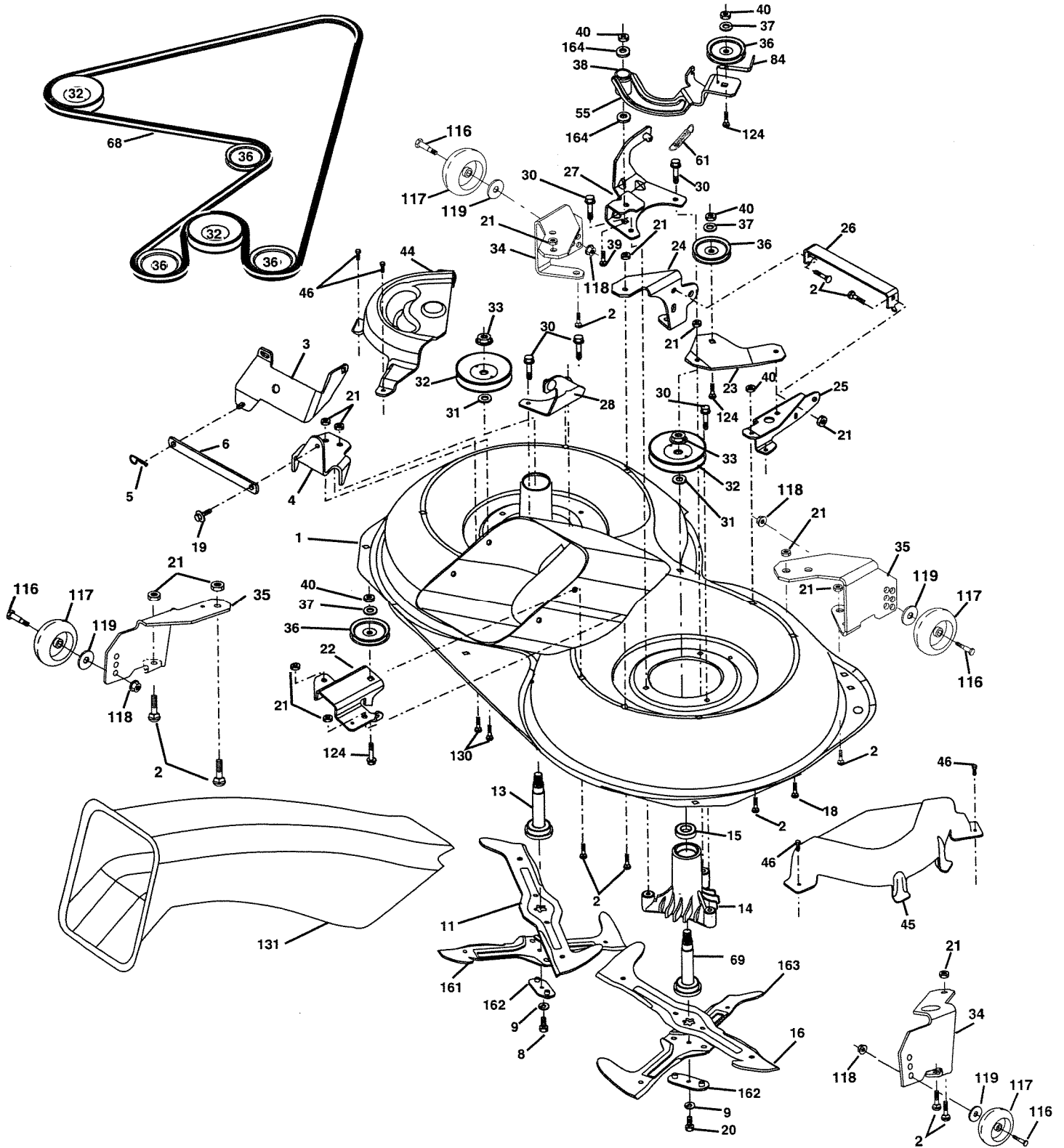
| KEY NO. | PART NO. | DESCRIPTION |
|---------|----------|-------------------------------|
| 24 | 19131016 | Washer 13/32 x 5/8 x 16 Ga. |
| 25 | 2876H | Spring 2-1/8" |
| 26 | 169484 | Retainer Clip |
| 27 | 126971X | Rod Adj Lift Zinc 7.49 Wrk Lg |
| 28 | 73350600 | Nut Hex Jam 3/8-16 Unc |
| 29 | 138057 | Knob Inf 3/8-16 Unc Blk w/sym |
| 30 | 150233 | Trunnion Infin Height |
| 31 | 169865 | Bearing, Pvt. Lift. |
| 32 | 73540600 | Nut Crownlock 3/8-24 |
| 36 | 155097 | Pointer Height Indicator |
| 37 | 123935X | Plug Hole Blk 1.485/1.515 Dia |
| 38 | 17060516 | Screw 5/16-18 x 1 |
| 40 | 19112410 | Washer 11/32 x 1-1/2 x 10 Ga. |
| 41 | 123934X | Scale Ind Height Blk |
| 49 | 145212 | Nut hex Flange Lock |
| 50 | 110452X | Nut Push Phos & Oil |

NOTE: All component dimensions given in U.S. inches
1 inch = 25.4 mm

REPAIR PARTS

TRACTOR- -MODEL NO. 917.277121

MOWER



REPAIR PARTS

TRACTOR- -MODEL NO. 917.277121

MOWER

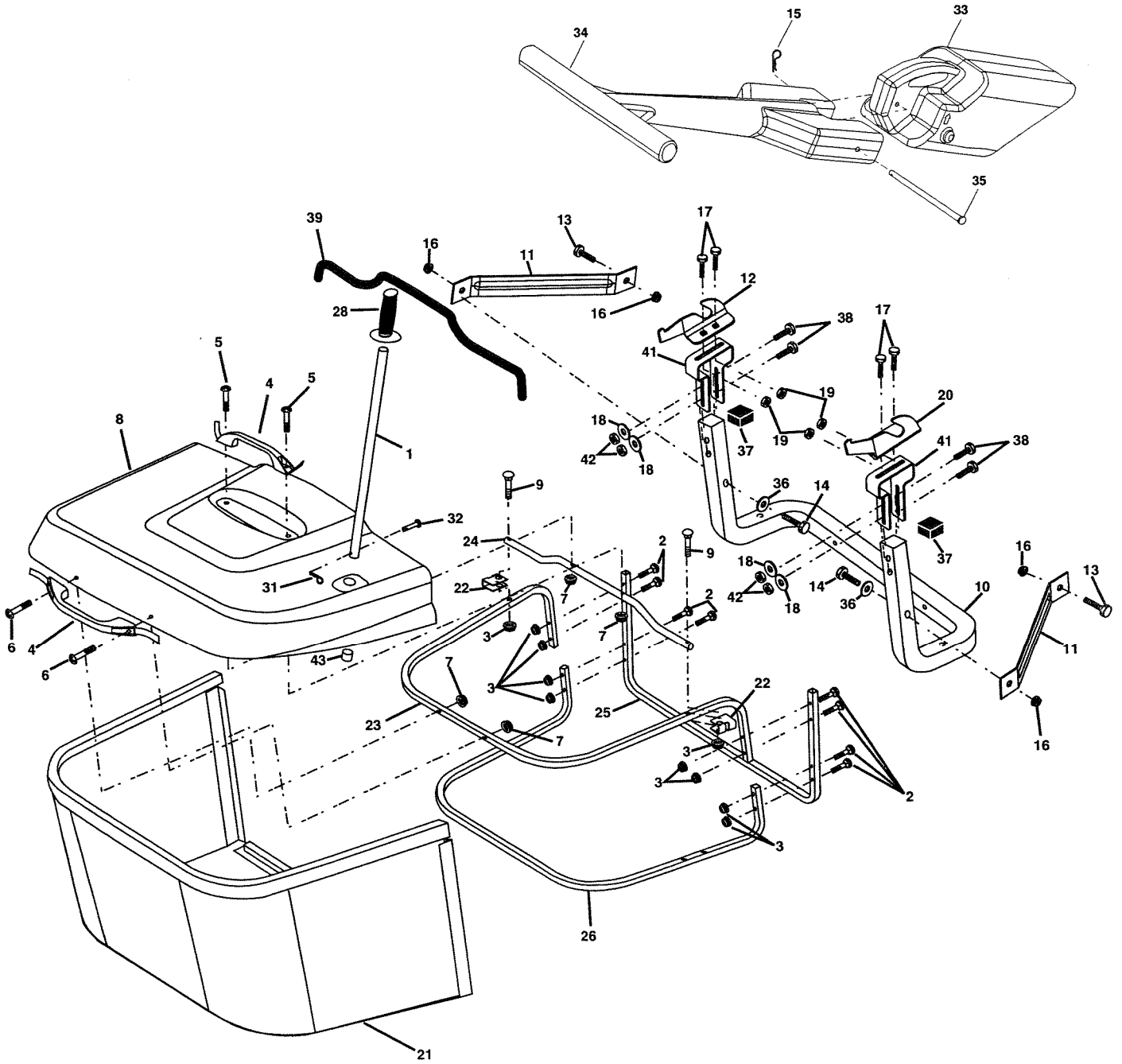
| KEY NO. | PART NO. | DESCRIPTION | KEY NO. | PART NO. | DESCRIPTION |
|---------|----------|-----------------------------------|---------|----------|------------------------------------|
| 1 | 169160 | Housing Asm. Mower | 36 | 146763 | Pulley Idler V-Groove Dim 4.25 |
| 2 | 72140506 | Bolt Rdhd Sqnk 5/16-18 Unc x 3/4 | 37 | 19131316 | Washer 11/32 x 13/16 x 16 Ga |
| 3 | 165569 | Bracket Asm. S-Bar Chass | 38 | 169851 | Spacer Hub Arm Idler 107 CRD |
| 4 | 169167 | Bracket Bar Sway Deck | 39 | 72110622 | Bolt Rdhd 3/8-16 Unc x 2-3/4 Gr. 5 |
| 5 | 4939M | Retainer Spring | 40 | 73680600 | Nut Crownlock 3/8-16 Unc |
| 6 | 165557 | Bar Sway | 44 | 175538 | Cover Mandrel Lh |
| 8 | 181712 | Bolt 3/8-24 x 1.25 Gr8 Patched | 45 | 175539 | Cover Mandrel Rh |
| 9 | 10030600 | Washer Lock Hvy 3/8 Unplated | 46 | 137729 | Screw Thd Roll 1/4-20 x 5/8 |
| 11 | 180583 | Blade 3-1 Lh | 55 | 169849 | Arm Idler 107 CRD |
| 13 | 137645 | Shaft Asm. W/Lower Bearing | 61 | 175159 | Spring Tension Belt |
| 14 | 128774 | Housing Mandrel Vented (Machd) | 68 | 169178 | Hex-Belt Mower |
| 15 | 110485X | Bearing Ball Mandrel | 69 | 165482 | Shaft Asm W/Lwr Brg Rh Thd CRD |
| 16 | 180584 | Blade 3-1 Rh | 84 | 156085 | Keeper Belt Idler |
| 18 | 72110606 | Bolt RdHd Sqnk 5/16-18 Unc x 3/4 | 116 | 184219 | Bolt Shoulder |
| 19 | 132827 | Bolt Shoulder 5/16-18 Thd Form | 117 | 133957 | Wheel Gage Donut Wide |
| 20 | 181713 | Bolt 3/8-24 x 1.25 Gr8 Ptch Lhthd | 118 | 73930600 | Nut Centerlock 3/8-16 Unc |
| 21 | 73680500 | Nut Crown Lock 5/16-18 | 119 | 19121414 | Washer 3/8 x 7/8 x 14 Ga. |
| 22 | 169165 | Bracket Idler RR | 124 | 72110612 | Bolt Carr Sh 3/8-16 x 1-1/2 Gr5 |
| 23 | 169166 | Bracket Idler RF | 130 | 72110506 | Bolt Rdhdsqnk 5/16-18 Unc x 3/4 |
| 24 | 169170 | Bracket Suspension LF | 131 | 165661 | Chute Bagger CRD 92cm |
| 25 | 169171 | Bracket Suspension RF | 161 | 180424 | Blade Cross Lh 107 |
| 26 | 165237 | Brace Support Susp Frt CRD | 162 | 180878 | Adapter Wldmt Blo 107 |
| 27 | 169172 | Bracket Asm. Susp RR | 163 | 180425 | Blade Cross Rh 107 |
| 28 | 169168 | Bracket Asm. Susp LR | 164 | 3366R | Bearing Col. Strge. |
| 30 | 173984 | Screw Thd Rolling | -- | 181857 | Mandrel Asm Service |
| 31 | 129963 | Washer Spacer Mower Vented | -- | 181858 | Mandrel Asm CRD Lh Threads SVC |
| 32 | 175707 | Mandrel Pulleys | -- | 181770 | Deck Mower Complete |
| 33 | 178342 | Nut Flg Top Lock | | | |
| 34 | 179509 | Bracket Gauge Wheel Lf | | | |
| 35 | 176292 | Bracket Gauge Wheel Rf | | | |

NOTE: All component dimensions given in U.S. inches
1 inch = 25.4 mm

REPAIR PARTS

TRACTOR- -MODEL NO. 917.277121

BAGGER



REPAIR PARTS

TRACTOR--MODEL NO. 917.277121

BAGGER

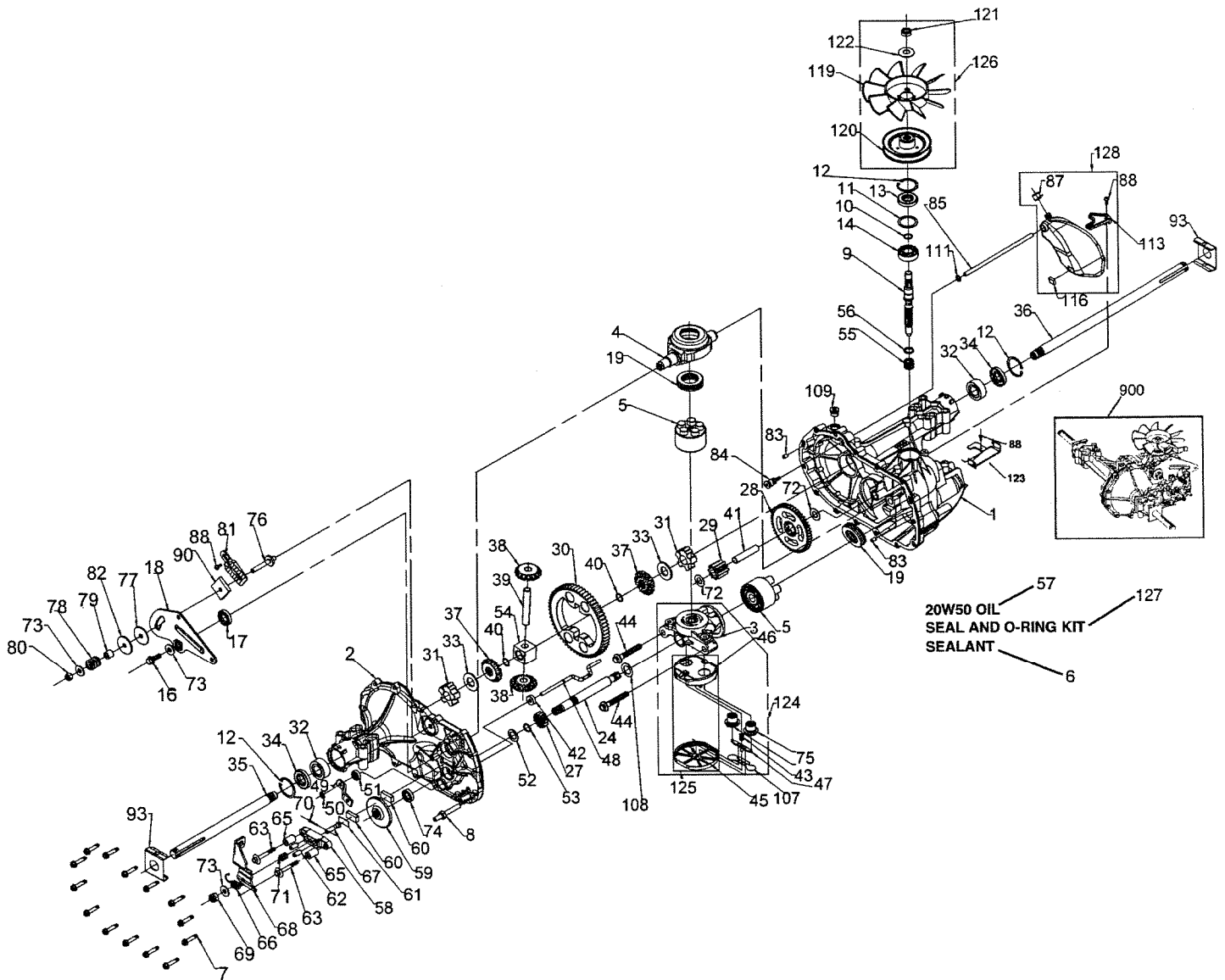
| KEY NO. | PART NO. | DESCRIPTION |
|---------|------------|-------------------------------------|
| 1 | 165249 | Tube Handle Bagger CRD |
| 2 | 72140416 | Bolt Carriage 1/4-20 X 2.0 Gr.5 |
| 3 | 123976X | Nut Lock 1/4 Lge Flg Gr. 5 Zinc |
| 4 | 169916 | Handle Bagger w/Lvrs Gr. 5 Zinc |
| 5 | 74981024 | Screw Pan Head #10-24 X 1.50 Blk |
| 6 | 74981032 | Screw Pan Hd |
| 7 | 73401000 | Nut Wiz Lock Hex Serr/Hd #10-24 |
| 8 | 169963X558 | Cover Bagger |
| 9 | 72140418 | Bolt Carriage 1/4-20 x 2.25d x Gr.5 |
| 10 | 181282 | Tube Support Bagger CRD |
| 11 | 165719 | Bracket Support Upper Bag CRD |
| 12 | 169685 | Bracket Horiz. Adj Bagger |
| 13 | 72110606 | Bolt Rdhd Sht Sqnk 3/8-16 X 3/4 |
| 14 | 74520636 | Bolt Hex 3/8-16 X 2-1/4 Gr. 5 |
| 15 | 4939M | Retainer Spring |
| 16 | 73900600 | Nut Lock Flg 3/8-16 Unc |
| 17 | 72140506 | Bolt Rdhd Sht Sqnk 5/16-18Unc X 3/4 |
| 18 | 19111216 | Washer 11/32 x 3/4 x 16 |
| 19 | 73900500 | Nut Lock Hex Flange 5/16-18 |
| 20 | 169684 | Bracket Horiz Adj Bagger |
| 21 | 180880 | Bag Asm CRD |
| 22 | 165781 | Bracket Side Bagger CRD |
| 23 | 165782 | Tube Upper Bagger CRD |
| 24 | 165783 | Tube Pivot Bagger CRD |
| 25 | 180124 | Tube Front Bagger CRD |
| 26 | 165785 | Tube Lower Bagger CRD |
| 28 | 165787 | Grip Handle Black |
| 31 | 169484 | Retainer Clip |
| 32 | 126875X | Rivet Rd Hd Drilled 3/8 Dia |
| 33 | 169380 | Plug Mulch 107 |
| 34 | 165570 | Handle Mulch |
| 35 | 165572 | Pin Mulch |
| 36 | 19132016 | Washer 13/32 x 1-1/4 x 16 Ga. |
| 37 | 175401 | Plug Support Bagger CRD |
| 38 | 72010520 | Bolt 5/16-18 x 2-1/2 |
| 39 | 180985 | Seal |
| 41 | 169683 | Bracket Vert Adj Bagger CRD |
| 42 | 73800500 | Nut Lock Hex W/Ins 5/16-18 UNC |
| 43 | 174083 | Plug Tubing End |

NOTE: All component dimensions given in U.S. inches
1 inch = 25.4 mm

REPAIR PARTS

TRACTOR- -MODEL NO. 917.277121

TRANSAXLE HYDRO GEAR - - MODEL NUMBER 321-0510



REPAIR PARTS

TRACTOR- -MODEL NO. 917.277121

TRANSAXLE HYDRO GEAR - - MODEL NUMBER 321-0510

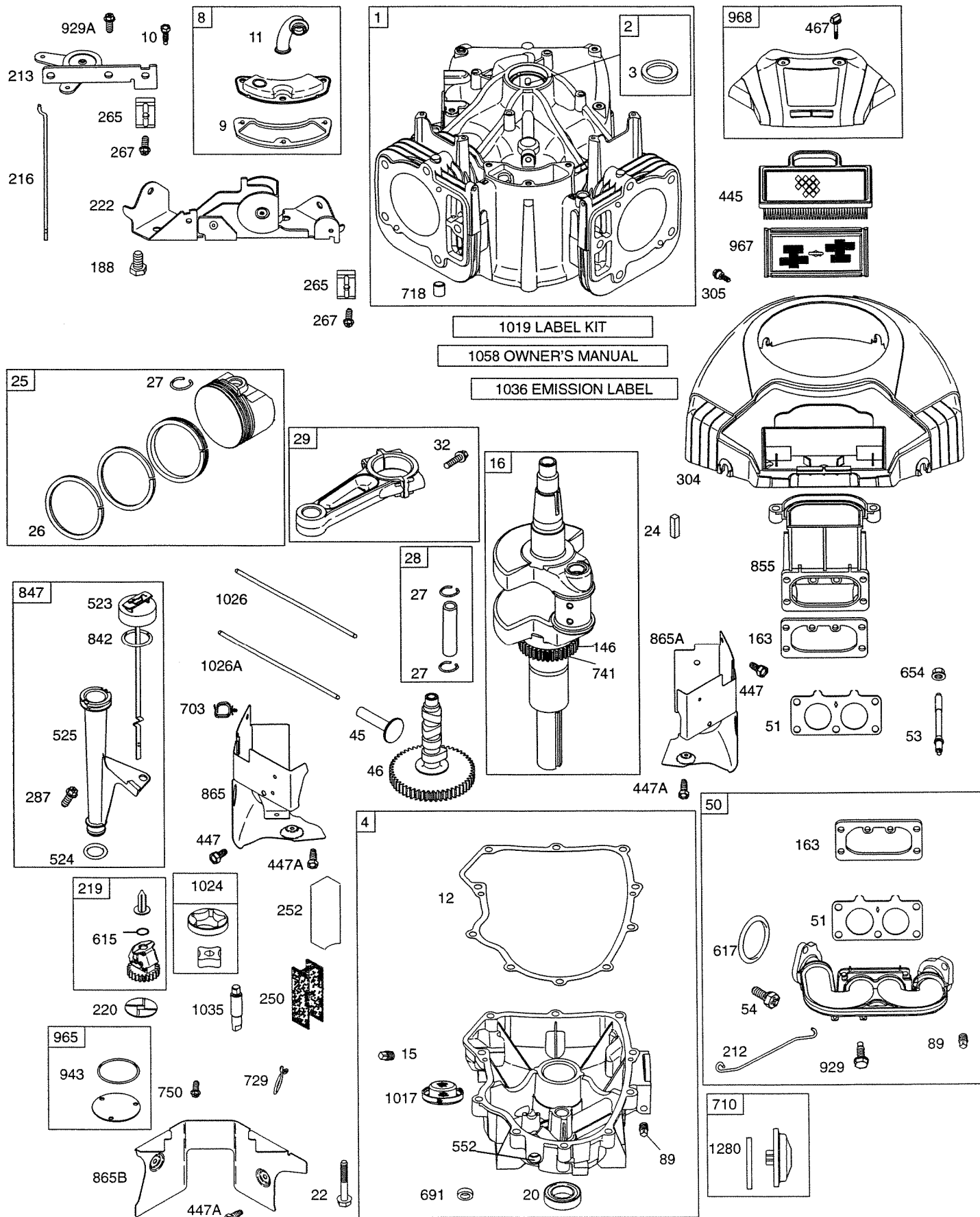
| KEY NO. | PART NO. | DESCRIPTION | KEY NO. | PART NO. | DESCRIPTION |
|---------|----------|---|---------|----------|---|
| 1 | 170351 | Main Housing, Assembly | 60 | 142883 | Brake Puck |
| 2 | 170352 | Side Housing, Assembly | 61 | 142882 | Puck Plate |
| 3 | 170353 | Center Section, Assembly | 62 | 142887 | Brake Actuating Pin |
| 4 | 170354 | Swashplate, Trunion Machined | 63 | 170410 | HFHCS 1/4-20X2 W/Patch, Special Flange |
| 5 | 169898 | Block - Assembly | 64 | 142892 | Bolt, 1/4-20 X 1 W/Patch |
| 6 | 170355 | Sealant | 65 | 170411 | Spacer |
| 7 | 170356 | Hex Flange Screw 1/4-20 X 1.25 | 66 | 170412 | Spring, Brake Arm Bias |
| 8 | 170357 | Stud, 5/16-24 Hex Double End | 67 | 170413 | SQ. HD. BOLT 5/16-24-Ribbed |
| 9 | 170358 | Shaft, Input | 68 | 178157 | Arm, Brake |
| 10 | 170359 | Ring - Retaining | 69 | 170415 | Slotted Hex Nut 5/16-24 |
| 11 | 170360 | Spacer | 70 | 170416 | Cotter Pin 3/32 X 3/4 |
| 12 | 169870 | Ring - Retaining | 71 | 170417 | Compression Spring Brake Anti-Drag |
| 13 | 170361 | Seal, Lip .67 X 1.58 X .276 | 72 | 170418 | Washer, HT .5 I.D. X 1 O.D. X .032 |
| 14 | 173158 | Ball Brg 17MM ID X 40MM OD X 12MM | 73 | 142884 | Flat - Washer 11/32 I.D. X 7/8 O.D. |
| 16 | 170362 | Hex Flange Head Screw 5/16-24 X 0.75 | 74 | 170419 | Oil Seal .625 X 1.0 X .25 |
| 17 | 170363 | Lip Seal 18 X 32 X 7 | 75 | 170420 | Check Plug Assembly. .027, Washer |
| 18 | 170364 | Arm, Control | 76 | 170421 | Stud, 5/16-24 Friction Pack |
| 19 | 173159 | Bearing, 30X52X13 Thrust | 77 | 170422 | Puck, .330 X 1.50 X .0975 |
| 23 | 170365 | Check Plug Assembly, Washer | 78 | 142969 | Spring, Helical Comp |
| 24 | 170366 | Shaft, Motor1 | 79 | 142980 | Spacer |
| 27 | 170367 | Gear - Pinion, 13T | 80 | 150778 | Hex Lock Nut 5/16-24 UNJF(Nylon Insert) |
| 28 | 170368 | 10T/48T GEAR | 81 | 170423 | Wedge, Friction Pack |
| 29 | 170369 | Gear, 10T Jackshaft | 82 | 170424 | Clip, Washer .316X1.50X.1046 (Plated) |
| 30 | 170370 | 60T Bull Gear | 83 | 161168 | Pin, Standard Headless |
| 31 | 170371 | Sleeve Bearing .75 X 1.575 X .625 | 84 | 170425 | Fitting, 5/16 Sae 5/32 Tube |
| 32 | 170389 | Sleeve Bearing (Outboard).75X1.750X.625 | 85 | 170426 | Hose, Expansion Tank |
| 33 | 142991 | Washer, 3/4 ID X 1-1/2 OD X .13 THK | 87 | 173160 | Cap, Vent |
| 34 | 170390 | Lip Seal Axle Seal | 88 | 170429 | Bolt, Self Tapping 10-32 X 1/2 |
| 35 | 170391 | Shaft, Axle .75 X 11.39 (Key, R.H.) | 90 | 170430 | Puck, Inner Wedge |
| 36 | 170392 | Shaft, Axle .75 X 16.99 (Key, L.H.) | 93 | 170431 | Spring Clip - Housing Thrust |
| 37 | 150792 | Miter Gear (SPLINED) | 107 | 170432 | Deflector |
| 38 | 150793 | Miter Gear 15T (0.5 ID) | 108 | 170433 | Washer, Motorshaft .71ID X 1.15OD X .030THK |
| 39 | 150809 | Shaft | 109 | 170434 | Plug, Sae #6 |
| 40 | 170393 | Ring, Spiral Retaining | 111 | 170435 | O-ring .07 x .301 I.D. |
| 41 | 170394 | Pin, Jackshaft | 113 | 170437 | Bracket, Support Expansion Tank |
| 42 | 170395 | Magnet, Ring | 116 | 170438 | Silicon Sponge |
| 43 | 170396 | Spring, Bypass | 119 | 170439 | Fan |
| 44 | 150797 | Hydro mtg Screw 3/8-24 X 2.5 Long | 120 | 178159 | Pulley |
| 45 | 170397 | Filter | 121 | 170441 | Hex Lock Nut 1/2-20 |
| 46 | 170398 | Base, Filter | 122 | 170442 | Washer Belleville |
| 47 | 170399 | Actuator, Bypass | 123 | 178160 | Bracket Belt Keeper |
| 48 | 170400 | Rod, Bypass Actuator | 124 | 170444 | Center Section-Filter-Bypass Assembly |
| 49 | 178156 | Arm, Bypass | 125 | 170445 | Filter Assembly |
| 50 | 170402 | Retaining Ring .250 External | 126 | 178417 | Fan - Pulley Service Assembly |
| 51 | 170403 | Seal, Lip .741 X .250 X .250 TC | 127 | 170447 | Seal - O-ring Kit |
| 52 | 170404 | Flat Washer, 5/8 ID X 1.0 OD X .05 THK | 128 | 173165 | Kit, Expansion Tank |
| 53 | 170405 | Retaining Ring | 900 | 170061 | Transaxle, complete |
| 54 | 170406 | Bearing, Center Block | | | |
| 55 | 142977 | Spring - Helical Compression | | | |
| 56 | 142978 | Washer | | | |
| 57 | 150798 | 20W-50 OIL72.8 oz | | | |
| 58 | 170407 | Brake Yoke | | | |
| 59 | 170408 | Rotor, Brake | | | |

NOTE: All component dimensions given in U.S. inches 1 inch = 25.4 mm

REPAIR PARTS

TRACTOR- -MODEL NO. 917.277121

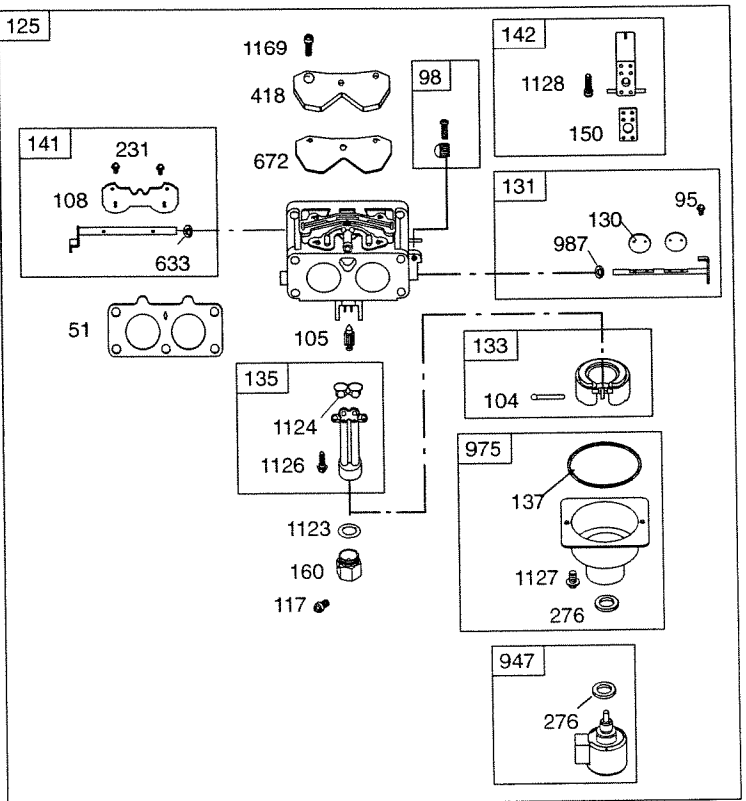
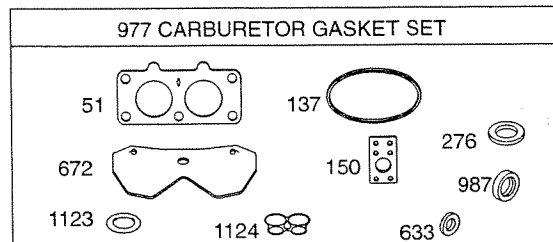
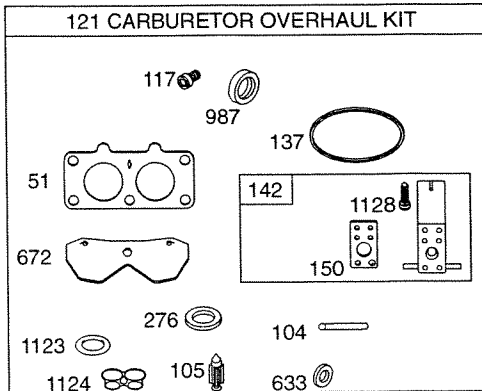
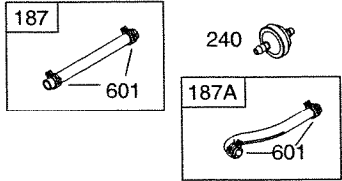
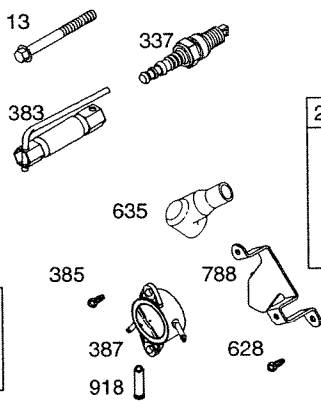
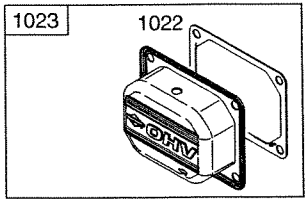
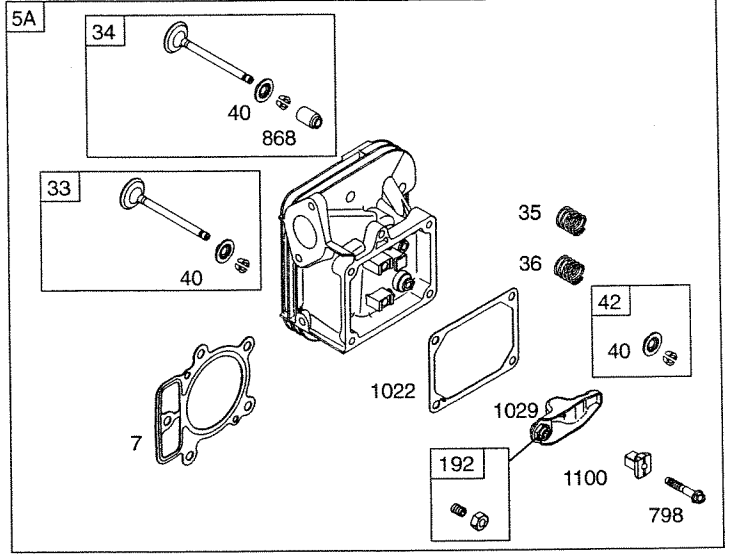
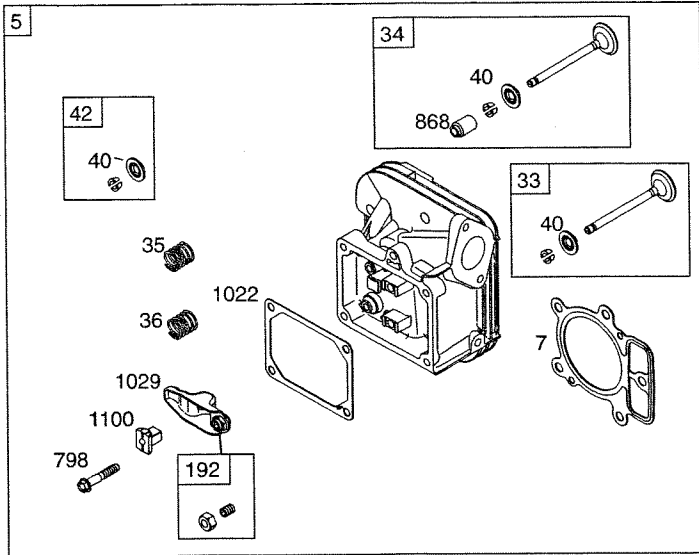
BRIGGS & STRATON ENGINE - - MODEL NUMBER 407677, TYPE NUMBER 0232-E1



REPAIR PARTS

TRACTOR- -MODEL NO. 917.277121

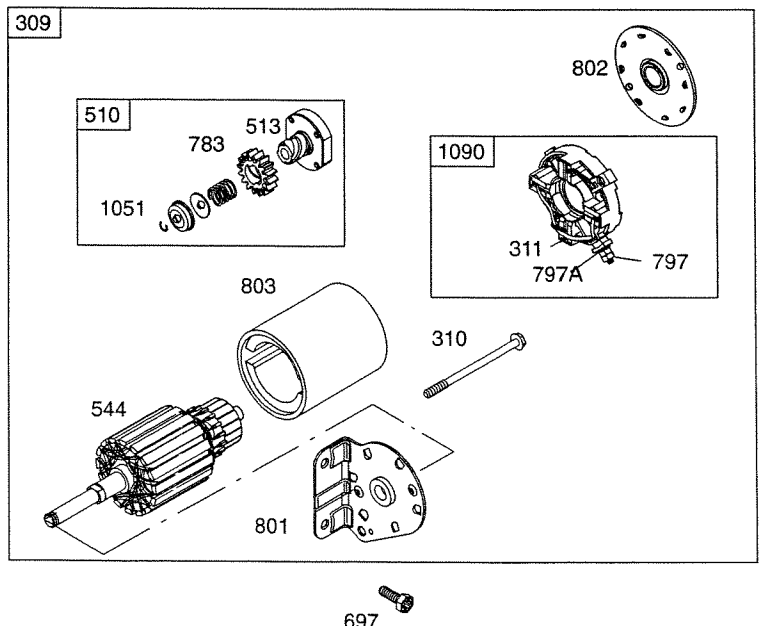
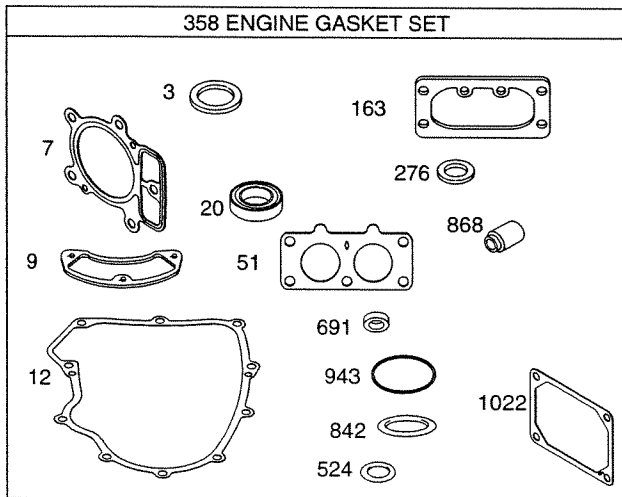
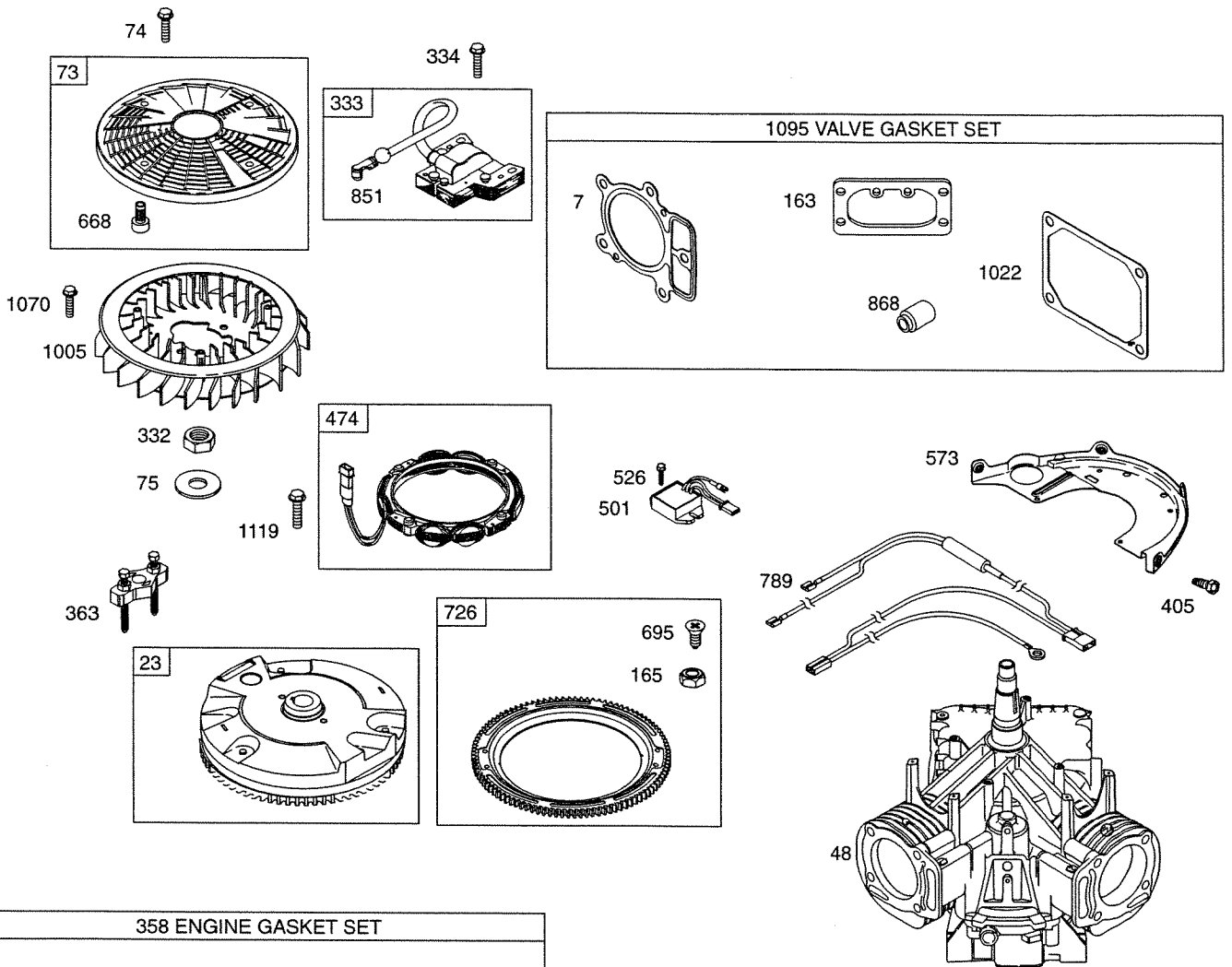
BRIGGS & STRATON ENGINE - - MODEL NUMBER 407677, TYPE NUMBER 0232-E1



REPAIR PARTS

TRACTOR- -MODEL NO. 917.277121

BRIGGS & STRATON ENGINE - - MODEL NUMBER 407677, TYPE NUMBER 0232-E1



REPAIR PARTS

TRACTOR- -MODEL NO. 917.277121

BRIGGS & STRATON ENGINE - - MODEL NUMBER 407677, TYPE NUMBER 0232-E1

| KEY NO. | PART NO. | DESCRIPTION | KEY NO. | PART NO. | DESCRIPTION |
|---------|----------|---|---------|----------|------------------------------------|
| 1 | 690231 | Cylinder Assembly | 125 | 499804 | Carburetor |
| 2 | 499585 | Kit-Bushing/Seal (Magneto Side) | 130 | 690993 | Valve-Throttle |
| 3 | 391086 | • Seal-Oil (Magneto Side) | 131 | 499805 | Kit-Throttle Shaft |
| 4 | 697473 | Sump-Engine | 133 | 499806 | Float-Carburetor |
| 5 | 693998 | Head-Cylinder (Cylinder 1) | 135 | 499803 | Tube-Fuel Transfer |
| 5A | 693999 | Head-Cylinder (Cylinder 2) | 137 | 690994 | Ø‡ Gasket-Float Bowl |
| 7 | 690962 | •+ Gasket-Cylinder Head | 141 | 499807 | Kit-Choke Shaft |
| 8 | 499601 | Breather Assembly | 142 | 499808 | Ø Nozzle-Carburetor |
| 9 | 690937 | • Gasket-Breather | 146 | 690979 | Key-Timing |
| 10 | 690960 | Screw (Breather Assembly) | 150 | 690995 | Ø‡ Gasket-Nozzle |
| 11 | 690942 | Tube-Breather | 160 | 690996 | Retainer-Solenoid |
| 12 | 697227 | • Gasket-Crankcase | 163 | 691001 | •+ Gasket-Air Cleaner |
| 13 | 690360 | Screw (Cylinder Head) | 165 | 693148 | Nut (Ring Gear) |
| 15 | 690946 | Plug-Oil Drain | 187 | 691050 | Line-Fuel (Cut to Required Length) |
| 16 | 691046 | Crankshaft | 187A | 691049 | Line-Fuel (Molded) |
| 20 | 690947 | • Seal-Oil (PTO Side) | 188 | 690960 | Screw (Control Bracket) |
| 22 | 694966 | Screw (Engine Sump) | 192 | 690083 | Adjuster-Rocker Arm |
| 23 | 691053 | Flywheel | 209 | 697674 | Spring-Governor |
| 24 | 222698 | Key-Flywheel | 211 | 691019 | Spring-Governed Idle |
| 25 | 499588 | Piston Assembly (Standard) | 212 | 695238 | Link-Throttle |
| 25 | 499589 | Piston Assembly (.010" Oversize) | 213 | 691021 | Bracket-Choke Control |
| 25 | 499590 | Piston Assembly (.020" Oversize) | 216 | 691022 | Link-Choke |
| 25 | 499591 | Piston Assembly (.030" Oversize) | 219 | 696376 | Gear-Governor |
| 26 | 499604 | Ring Set-Piston (Standard) | 220 | 690412 | Washer (Governor Lever) |
| 26 | 499605 | Ring Set-Piston (.010" Oversize) | 222 | 697678 | Bracket-Control |
| 26 | 499606 | Ring Set-Piston (.020" Oversize) | 227 | 691048 | Lever-Governor Control |
| 26 | 499607 | Ring Set-Piston (.030" Oversize) | 231 | 690718 | Screw (Choke Valve) |
| 27 | 690975 | Lock-Piston Pin | 240 | 691035 | Filter-Fuel |
| 28 | 690229 | Pin-Piston | 250 | 690957 | Retainer-Breather |
| 29 | 499583 | Rod-Connecting | 252 | 690956 | Collector-Oil |
| 32 | 690976 | Screw (Connecting Rod) | 265 | 691024 | Clamp-Casing |
| 33 | 499596 | Valve-Exhaust | 267 | 695134 | Screw (Casing Clamp) |
| 34 | 499597 | Valve-Intake | 276 | 690997 | •Ø+ Washer-Sealing |
| 35 | 690963 | Spring-Valve (Intake) | 287 | 690960 | Screw (Dipstick Tube) |
| 36 | 690963 | Spring-Valve (Exhaust) | 304 | 695277 | Housing-Blower |
| 40 | 690964 | Retainer-Valve | 305 | 691005 | Screw (Blower Housing) |
| 42 | 499586 | Keeper-Valve | 309 | 691262 | Motor-Starter |
| 45 | 690977 | Tappet-Valve | 310 | 691263 | Bolt-Starter Motor |
| 46 | 690978 | Camshaft | 311 | 497608 | Brush Set |
| 48 | 692714 | Short Block (446777-0027-E2 Replacement Engine) | 332 | 691059 | Nut (Flywheel) |
| 50 | 695241 | Manifold-Intake | 333 | 691060 | Armature-Magneto |
| 51 | 690950 | •Ø‡ Gasket-Intake | 334 | 691061 | Screw (Magneto Armature) |
| 53 | 690951 | Stud (Carburetor) | 337 | 691043 | Plug-Spark |
| 54 | 695240 | Screw (Intake Manifold) | 358 | 694012 | Set-Engine Gasket |
| 73 | 691055 | Screen-Rotating | | | Low Speed: 1900-2100 |
| 74 | 691057 | Screw (Rotating Screen) | | | High Speed: 3000-3200 |
| 75 | 691056 | Washer (Flywheel) | | | |
| 89 | 690283 | Plug-Oil | | | |
| 95 | 690718 | Screw (Throttle Valve) | | | |
| 98 | 499802 | Kit-Idle Speed | | | |
| 104 | 690984 | Ø Pin-Float Hinge | | | |
| 105 | 690985 | Ø Valve-Float Needle | | | |
| 108 | 690986 | Valve-Choke | | | |
| 117 | 690232 | Ø Jet-Main (Standard) | | | |
| 118 | 690989 | Jet-Main (High Altitude) | | | |
| 121 | 499811 | Kit-Carburetor Overhaul | | | |

- Included in Engine Gasket Set, Key. No. 358
- Ø Included in Carburetor Overhaul Kit, Key. No. 121
- ‡ Included in Carburetor Gasket Set, Key. No. 977
- + Included in Valve Gasket Set, Key. No. 1095

NOTE: All component dimensions given in U.S. inches 1 inch = 25.4 mm

REPAIR PARTS

TRACTOR- -MODEL NO. 917.277121

BRIGGS & STRATON ENGINE - - MODEL NUMBER 407677, TYPE NUMBER 0232-E1

| KEY NO. | PART NO. | DESCRIPTION | KEY NO. | PART NO. | DESCRIPTION |
|---------|----------|--|---------|----------|---|
| 363 | 19203 | Flywheel Puller | 802 | 691286 | Cap-End |
| 383 | 19374 | Wrench-Spark Plug | 803 | ----- | Housing-Starter (Service with 691262 Starter Motor) |
| 385 | 690960 | Screw (Fuel Pump) | 842 | 691031 | • Seal-Dipstick/Tube |
| 387 | 808656 | Pump-Fuel | 847 | 499602 | Dipstick/Tube Assembly |
| 404 | 690442 | Washer (Governor Crank) | 851 | 493880 | Terminal-Spark Plug |
| 405 | 690960 | Screw (Back Plate) | 855 | 691011 | Adapter-Air |
| 418 | 690999 | Plate-Carburetor | 865 | 691012 | Cover-Air Guide |
| 445 | 499486 | Filter-Air Cleaner Cartridge | 865A | 691014 | Cover-Air Guide |
| 447 | 691003 | Screw (Air Guide Cover) | 865B | 691015 | Cover-Air Guide |
| 447A | 690960 | Screw (Air Guide Cover) | 868 | 690968 | + Seal-Valve |
| 467 | 691008 | Knob-Air Cleaner | 914 | 691127 | Screw (Rocker Cover) |
| 474 | 696458 | Alternator | 918 | 694000 | Hose-Vacuum |
| 501 | 691185 | Regulator | 929 | 695239 | Screw (Choke Control Bracket) |
| 505 | 691029 | Nut (Governor Control Lever) | 929A | 691003 | Screw (Choke Control Bracket) |
| 510 | 497606 | Drive-Starter | 943 | 690589 | • Seal-O Ring (Oil Pump Cover) |
| 513 | 692024 | Clutch-Drive | 947 | 499809 | Solenoid-Fuel |
| 523 | 691036 | Dipstick | 965 | 499613 | Cover-Oil Pump |
| 524 | 691032 | • Seal-Dipstick Tube | 967 | 273638 | Filter-Pre Cleaner |
| 525 | 691037 | Tube-Dipstick | 968 | 499788 | Cover-Air Cleaner |
| 526 | 690960 | Screw (Regulator) | 975 | 499810 | Bowl-Float |
| 544 | ----- | Armature-Starter (Service with 691262 Starter Motor) | 977 | 499812 | Gasket Set-Carburetor |
| 552 | 690552 | Bushing-Governor Crank | 987 | 691000 | ∅ ‡ Seal-Throttle Shaft |
| 552A | 690553 | Bushing-Governor Crank | 1005 | 691243 | Fan-Flywheel |
| 562 | 690311 | Bolt (Governor Control Lever) | 1017 | 690770 | Screen-Oil Pump |
| 573 | 691009 | Plate-Back | 1019 | 690103 | Kit-Label |
| 601 | 691038 | Clamp-Hose | 1022 | 690971 | + Gasket-Rocker Cover |
| 615 | 690317 | Retainer-Governor Shaft | 1023 | 499599 | Cover-Rocker (Cylinder 1) |
| 616 | 691045 | Crank-Governor | 1023A | 499600 | Cover-Rocker (Cylinder 2) |
| 617 | 691917 | Seal-O Ring (Intake Manifold) | 1024 | 499054 | Pump-Oil |
| 628 | 690960 | Screw (Fuel Pump Bracket) | 1026 | 690981 | Rod-Push (Steel) |
| 633 | 690998 | ∅ ‡ Seal-Choke/Throttle Shaft | 1026A | 690982 | Rod-Push (Aluminum) |
| 635 | 66538 | Boot-Sparkplug | 1029 | 690972 | Arm-Rocker |
| 654 | 690958 | Nut (Carburetor) | 1035 | 691042 | Shaft-Pump |
| 668 | 691215 | Spacer | 1036 | 695704 | Label-Emission |
| 672 | 690234 | ∅ ‡ Gasket-Carburetor Plate | 1051 | 691265 | Ring-Retaining |
| 691 | 690657 | • Seal-Governor Shaft | 1058 | 274794 | Owner's Manual |
| 695 | 693149 | Screw (Ring Gear) | 1070 | 691058 | Screw (Flywheel Fan) |
| 697 | 690372 | Screw (Drive Cap) | 1090 | 691293 | Retainer-Brush |
| 703 | 691010 | Clip | 1095 | 694013 | Kit-Valve Overhaul |
| 710 | 697474 | Cover-Oil Filter | 1100 | 690973 | Pivot-Rocker Arm |
| 718 | 690959 | Pin-Locating | 1119 | 691183 | Screw (Alternator) |
| 726 | 499612 | Gear-Ring | 1123 | 690987 | ∅ ‡ Seal-O Ring (Solenoid Retainer) |
| 729 | 694123 | Clip-Wire | 1124 | 690988 | ∅ ‡ Seal-O Ring (Fuel Transfer Tube) |
| 741 | 690980 | Gear-Timing | 1126 | 690991 | Screw (Fuel Transfer Tube) |
| 742 | 690328 | Retainer-E Ring | 1127 | 690992 | Screw (Float Bowl) |
| 750 | 696999 | Screw (Oil Pump Cover) | 1128 | 690990 | ∅ Screw (Carburetor Nozzle) |
| 783 | 693058 | Gear-Pinion | 1169 | 693140 | Screw (Carburetor Cover Plate) |
| 788 | 691039 | Bracket-Fuel Pump | 1280 | 697475 | Seal-O Ring (Oil Filter Cover) |
| 789 | 695050 | Harness-Wiring | | | Low Speed: 1900-2100 |
| 797 | 691029 | Nut (Brush Retainer) | | | High Speed: 3000-3200 |
| 797A | 693167 | Nut (Brush Retainer) | | | |
| 798 | 690967 | Screw (Rocker Arm) | | | |
| 801 | 691283 | Cap-Drive | | | |

- Included in Engine Gasket Set, Key. No. 358
- ∅ Included in Carburetor Overhaul Kit, Key. No. 121
- ‡ Included in Carburetor Gasket Set, Key. No. 977
- + Included in Valve Gasket Set, Key. No. 1095

NOTE: All component dimensions given in U.S. inches 1 inch = 25.4 mm