

# REPAIR PARTS MANUAL

MODEL NO. 277010

Lawn Tractor

00090705

12.5CV

92CM

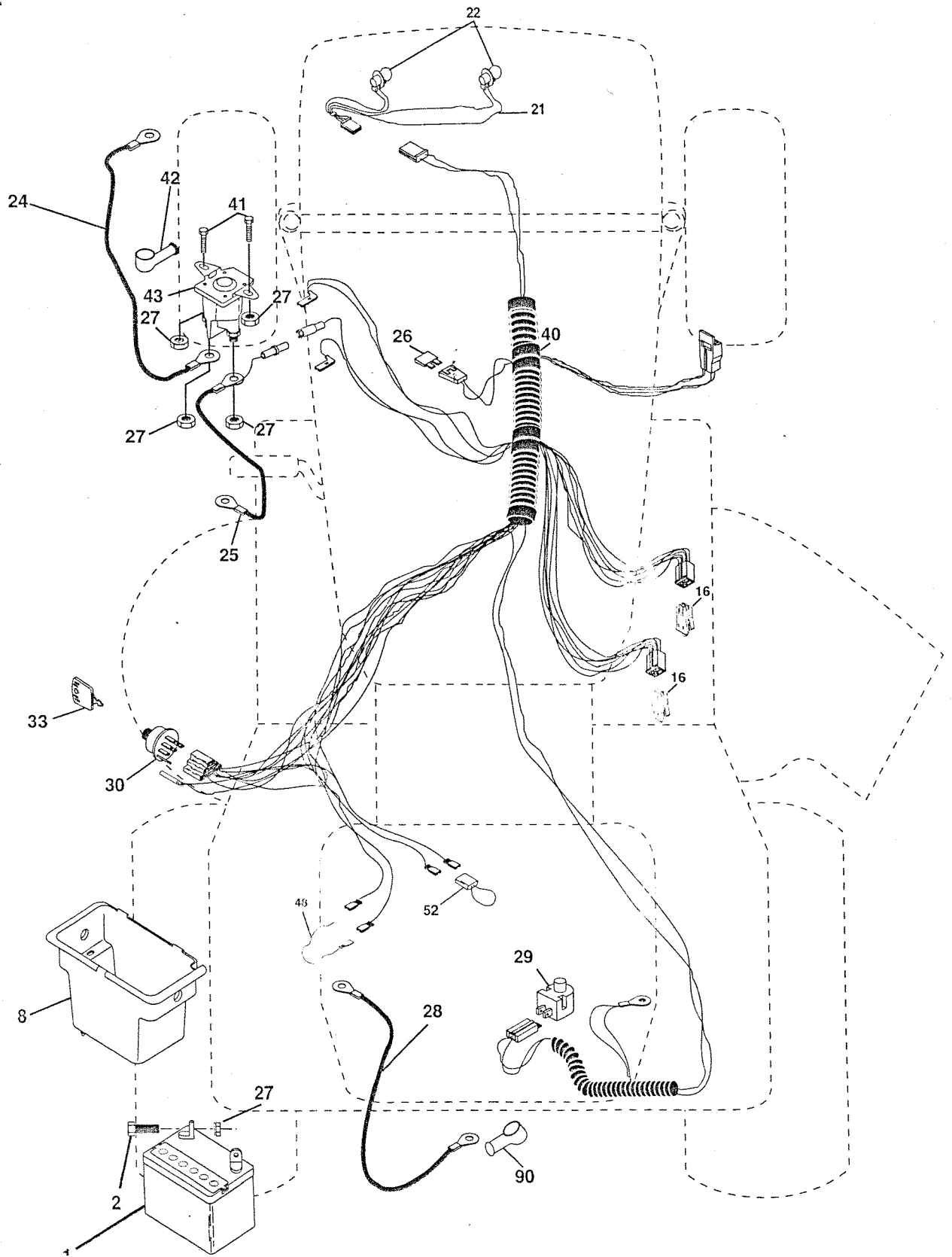
EJ LAT

**CRAFTSMAN®**

# REPAIR PARTS

TRACTOR- -MODEL NO. 917. 277010

## ELECTRICAL



# REPAIR PARTS

TRACTOR- -MODEL NO. 917. 277010

## ELECTRICAL

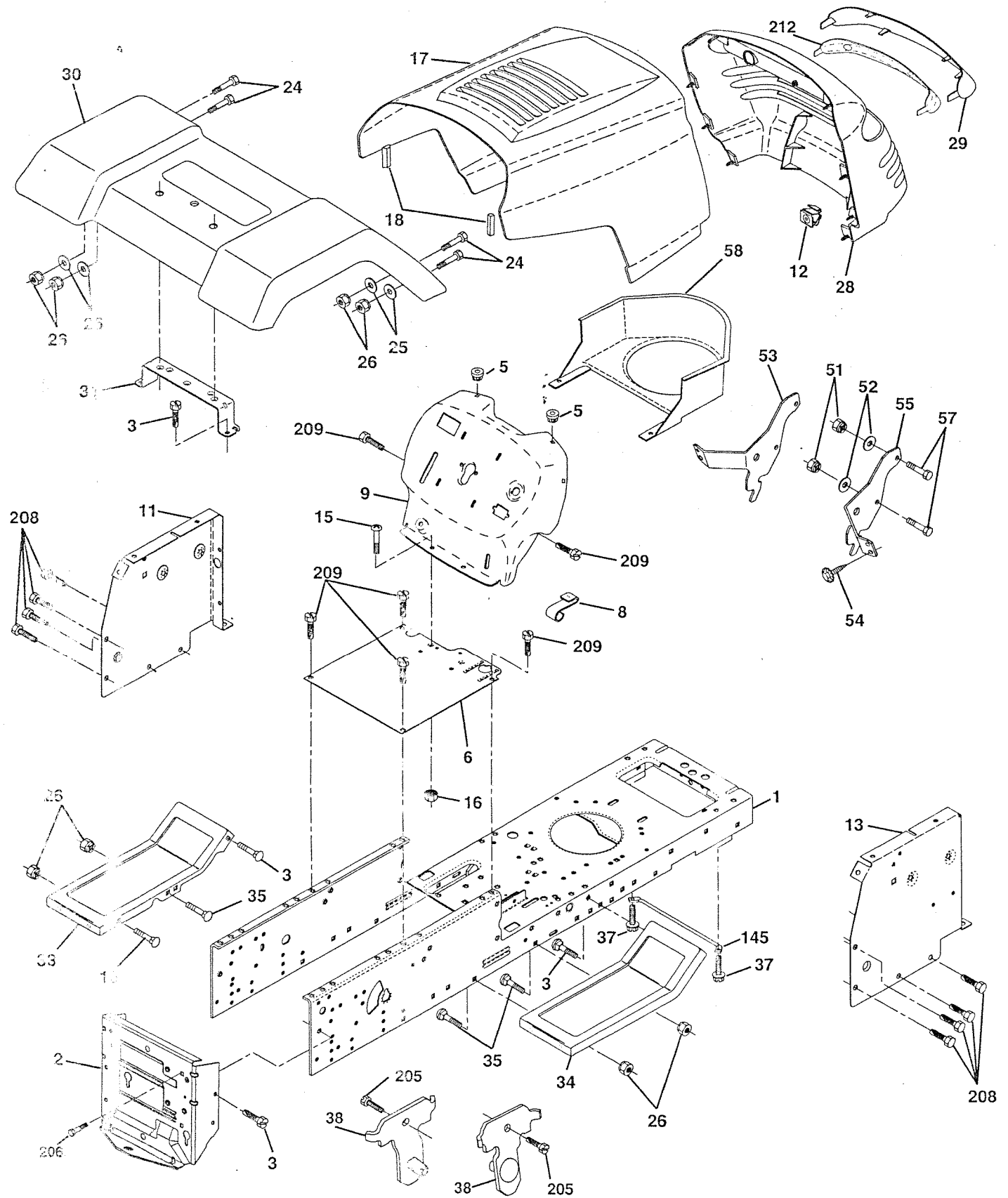
KEY NO.	PART NO.	DESCRIPTION
1	163465	Battery
2	74760412	Bolt, Hex Head 1/4-20 unc x 3/4
8	176689	Box Battery Fender
16	176138	Switch, Interlock
21	175685	Harness, Light Socket (Includes 4152J)
22	4152J	Bulb, Light
24	4799J	Cable, Battery, 6 Gauge, Red, 11"
25	146147	Cable, Battery, 6 Gauge, Red, W/16 Wire
26	175158	Fuse
27	73510400	Nut Keps Hex 1/4-20 UNC
28	4207J	Cable, Ground, 6 Gauge, Black, 12"
29	121305X	Switch, Plunger
30	175566	Switch, Ignition
33	140403	Key, Ignition
40	179720	Harness, Ignition
41	71110408	Bolt, Hex Head, Fin. 1/4-20 x 1/2
42	131563	Cover, Terminal, Red
43	178861	Solenoid
48	140844	Adaptor Ammeter Rectangular
52	141940	Protection Wire Loop
90	180449	Cover Terminal Battery

**NOTE:** All component dimensions given in U. S.  
inches 1 inch = 25.4 mm

# REPAIR PARTS

TRACTOR- -MODEL NO. 917. 277010

## CHASSIS AND ENCLOSURES



# REPAIR PARTS

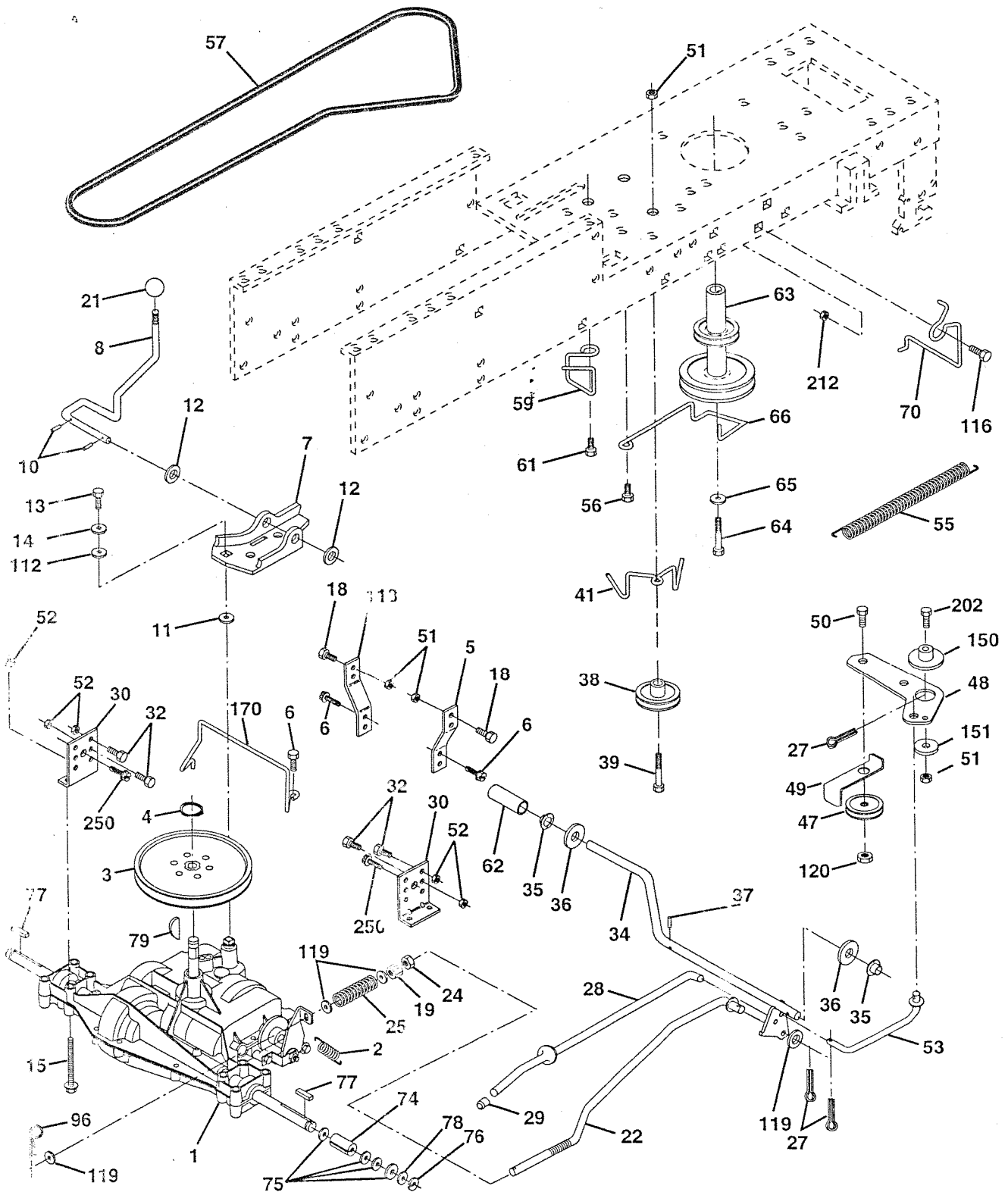
## TRACTOR- -MODEL NO. 917. 277010

### CHASSIS AND ENCLOSURES

KEY NO.	PART NO.	DESCRIPTION
1	174620	Chassis
2	176554	Drawbar
3	17060612	Screw 3/8-16 x 3/4
5	155272	Bumper Hood/Dash
6	174643X014	Saddle Silkscr Flt LT
8	155138	Clip Retainer Slide-On
9	168347X011	Dash
10	72140608	Bolt Rdhd Sqnk 3/8-16unc X 1
11	174996	Panel Dash LH
12	145660	Clip Tinnerman Grille P/L
13	172105X010	Panel Silkscr Dash RH
15	74180512	Screw Mach TRHD 5/16-18 unc x 3/4
16	73510500	Nut Keps 5/16-18 Unc
17	159639X558	Hood Asm
18	126938X	Bumper Hood
24	74780616	Bolt Fin Hex 3/8-16 unc x 1 Gr. 5
25	19131312	Washer 13/32 X 13/16 x 12 Ga
26	73680600	Nut Hex Lock W/Ins. 3/8-16 Unc
28	179777	Grille/Lens Asm
29	150209X599	Lens Headlight Bar Clear
30	169465X558	Fender
31	136619	Bracket Fender Repl 109873x
33	179716X558	Footrest Pnt Lh
34	179717X558	Footrest Pnt Rh
35	72110606	Bolt Rdhd Sht Sqnk 3/8-16 x 3/4
37	17490508	Screw Thdrol 5/16-18 x 1/2
38	175710	Bracket Asm Pivot Mower Rear
51	73800400	Nut Lock Hex w/Ins 1/4-20
52	19091416	Washer 9/32 x 7/8 x 16 Ga.
53	144697	Bracket, Grille LH
54	161464	Screw
55	144696	Bracket, Grille RH
57	74780412	Bolt Hex 1/4-20 x 3/4
58	150127	Air Duct P/L
145	156524	Rod Pivot Chassis/Hood
205	17490608	Screw Thdrol 3/8-16 x 1/2
206	170165	Bolt Shoulder 5/16-18
208	17670608	Screw thdrol 3/8-16 x 1/2
209	17000612	Screw Hex Wsh Thdrol 3/8-16
212	156494	Insert Lens Reflective
--	5479J	Plug Button Blk 359 Dia Choke

**NOTE:** All component dimensions given in U. S.  
inches 1 inch = 25.4 mm

### DRIVE



# REPAIR PARTS

## TRACTOR- -MODEL NO. 917. 277010

### DRIVE

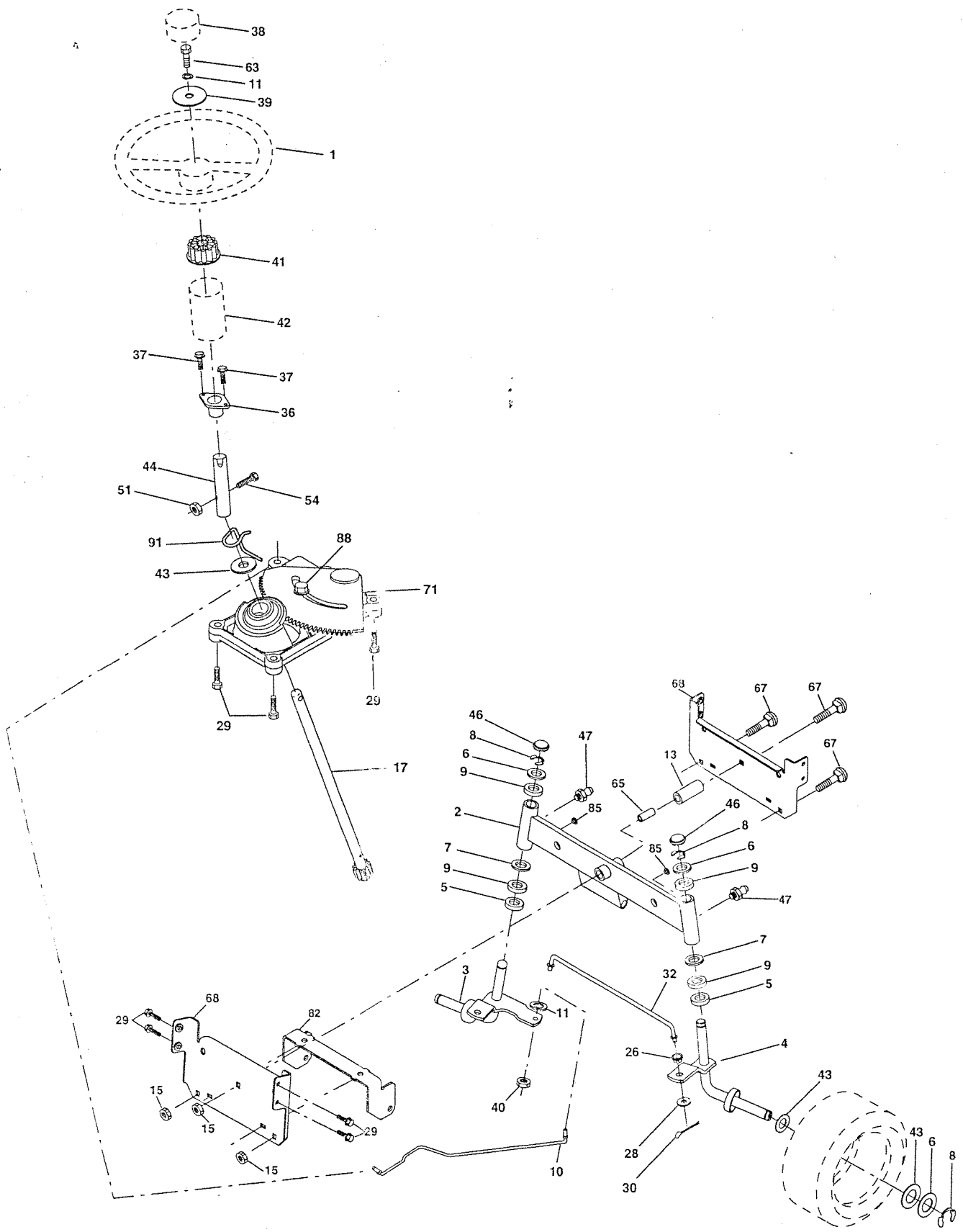
KEY NO.	PART NO.	DESCRIPTION	KEY NO.	PART NO.	DESCRIPTION
1	-----	Transaxle Dana D4360-139 (Order parts from transaxle Manufacturer)	50	74760624	Bolt Hex Hd 3/8-16unc x1-1/2
2	146682	Spring Return Brake T/a Zinc	51	73680600	Nut Crownlock 3/8-16 UNC
3	123666X	Pulley Transaxle 18/20" tires	52	73680500	Nut Crown Lock 5/16-18
4	12000028	Ring Retainer # 5100-62	53	105710X	Link Clutch 7 66
5	121520X	Strap Torque 30 Degrees	55	105709X	Spring Return Clutch 6 75
6	17060512	Screw 5/16-18 x 3/4	56	17060620	Screw 3/8-16 x 1-1/4
7	162240	Bracket Saddle Shift T/a	57	160855	V-Belt Gd Drive 9530
8	131679	Rod Shf Sdl LY/YT Str Blk	59	169691	Keeper Belt Centerspan
10	76020416	Pin Cotter 1/8 x 1 Cad	61	17120614	Screw 3/8-16 x .875
11	105701X	Washer Plate 388 Sq Hole	62	8883R	Cover Pedal Blk Round
12	19151216	Washer 15/32 x 3/4 x 16ga	63	180219	Pulley Eng
13	74550412	Bolt 1/4-28unf Gr8 W/Patch	64	71170764	Bolt Hex 7/16-20 x 4 Gr 5
14	10040400	Washer Lock Hvy Helical 1/4	65	10040700	Washer Lock Hlcl Spr 7/16
15	74490544	Bolt Hex Flghd 5/16-18 x Gr. 5	66	154778	Keeper Belt Engine FP
18	74780616	Bolt Fin Hex 3/8-16 UNC x 1 Gr. 5	70	180218	Guide Belt Mower Drive RH
19	73800600	Nut Lock Hex W/Ins. 3/8-16 Unc	74	109502X	Spacer Axle
21	106933X	Knob Rd 1/2-13 Plstc Thds	75	121749X	Washer 25/32 x 1-1/4 x16 Ga
22	130804	Rod Brake Blk Zinc 26 840	76	12000001	E-ring #5133-75
24	73350600	Nut Hex Jam 3/8-16 Unc	77	123583X	Key Square 2 0 x 1845/ 1865
25	106888X	Spring Rod Brake 2 00 Zinc	78	121748X	Washer 25/32 x1-5/8 x 16 Ga
27	76020412	Pin Cotter 1/8 x 3/4 Cad	79	2228M	Key Woodruff #9 3/16 x 3/4
28	175765	Rod Brake Parking Lt/Yt	96	4497H	Retainer Spring 1
29	71673	Cap Brake Parking	112	19091210	Washer 9/32 x 3/4 x 10 Ga
30	174973	Bracket Mtg Transaxle	113	127285X	Strap Torque LH LT
32	74760512	Bolt Hex Hd 5/16-18unc x 3/4	116	72140608	Bolt 3/8-16 x 1
34	175578	Shaft Asm Pedal Foot Nibbed	119	19131016	Washer 13/32 x 5/8 x 16 Ga
35	120183X	Bearing Nylon Blk 629 Id	120	73900600	Nut Lock Flg 3/8-16
36	19211616	Washer 21/32 x 1 x 16 Ga	150	175456	Spacer Retainer
37	1572H	Pin Roll 3/16 x 1"	151	19133210	Washer 13/32 x 2 x 10 Ga.
38	179114	Pulley Composite Flat	170	178394	Keeper Belt Transaxle Gear
39	74760648	Bolt Fin Hex 3/8-16 UNC x 3 Gr. 5	202	72110614	Bolt Carr. Sh 3/8-16 x 1-3/4 Gr. 5
41	175556	Keeper Belt Idler	212	145212	Nut Hex Flange Lock
47	127783	Pulley Idler V Groove Plastic	250	17060612	Screw 3/8-16 x 3/4
48	154407	Bellcrank Asm. Clutch			
49	123205X	Retainer Belt Style Spring			

**NOTE:** All component dimensions given in U. S. inches 1 inch = 25.4 mm

# REPAIR PARTS

TRACTOR- -MODEL NO. 917. 277010

## STEERING ASSEMBLY





# REPAIR PARTS

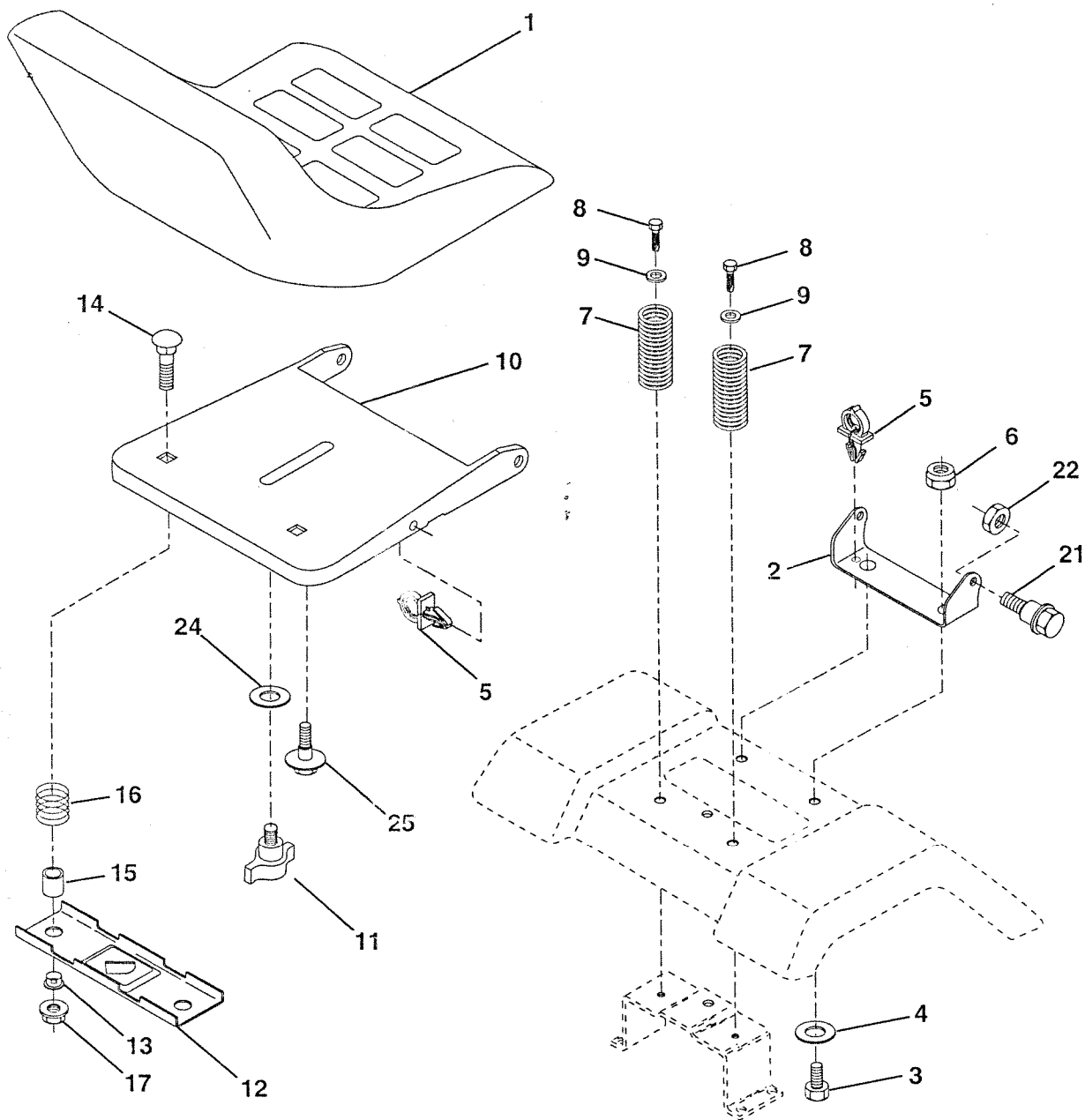
## TRACTOR- -MODEL NO. 917. 277010

### STEERING ASSEMBLY

KEY NO.	PART NO.	DESCRIPTION
1	140044X428	Steering Wheel
2	175131	Axle Assembly
3	169840	Spindle Assembly, L.H.
4	169839	Spindle Assembly, R.H.
5	6266H	Bearing, Race, Thrust, Hardened
6	121748X	Washer 25/32 x 1-5/8 x 16 Gauge
7	19272016	Washer 27/32 x 1-1/4 x 16 Gauge
8	12000029	Ring, Klip
9	3366R	Bearing, Steering Column
10	175121	Draglink
11	10040600	Washer, Lock
13	136518	Spacer Bearing Axle Front
15	145212	Hexflange Lock
17	177876	Shaft Assembly, Steering
26	126847X	Bushing, Link, Drag
28	19131416	Washer 13/32 x 7/8 x 16 Gauge
29	17060612	Screw, 3/8-16 x 3/4
30	76020412	Pin
32	130465	Rod, Tie
36	155099	Bushing, Steering
37	152927	Screw
38	140045X428	Cap, Steering Wheel
39	19133812	Washer 13/32 x 2-3/8 x 12 Gauge
40	7810H	Gripco Nut
41	100711L	Adaptor, Steering Wheel
42	145054X428	Boot, Steering
43	121749X	Washer 25/32 x 1-1/4 x 16 Gauge
44	153720	Shaft Extension Steering
46	121232X	Cap, Spindle
47	6855M	Fitting, Grease
51	73800500	Nut lock Hex w/Ins 5/16-18
54	74780520	Bolt Fin Hex 5/16-18 UNC x 1-1/4
63	74780616	Bolt Fin Hex 3/8-16 x 1-1/4
65	160367	Spacer Brace Axle
67	72140618	Bolt, Rdhd Sq 3/8-16 UNC x 2-1/4
68	169827	Axle, Brace
71	175146	Steering Asm
82	169835	Bracket Susp Chassis Front
85	133835	Fastener Christmas Tree
88	175118	Shoulder Bolt
91	175553	Clip Steering

**NOTE:** All component dimensions given in U. S. inches  
1 inch = 25.4 mm

SEAT ASSEMBLY



KEY NO.	PART NO.	DESCRIPTION
1	127427	Seat
2	140551	Bracket Pvt St
3	71110616	Bolt Fin Hex 3/8-16unc x 1
4	19131610	Washer Flat 13/32 x1 x10 Ga
5	145006	Clip Push-In Hinged
6	73800600	Locknut Hex W/Wsh 3/8-16
7	124181X	Spring Seat Cprsn 2 250 Blk
8	17000616	Screw 3/8-16 x 1
9	19111614	Washer 13/32 x 1 x 14 Ga
10	174194	Pan Seat
11	166139	Knob Seat Adj. Wingnut
12	121146X	Bracket Mounting Switch

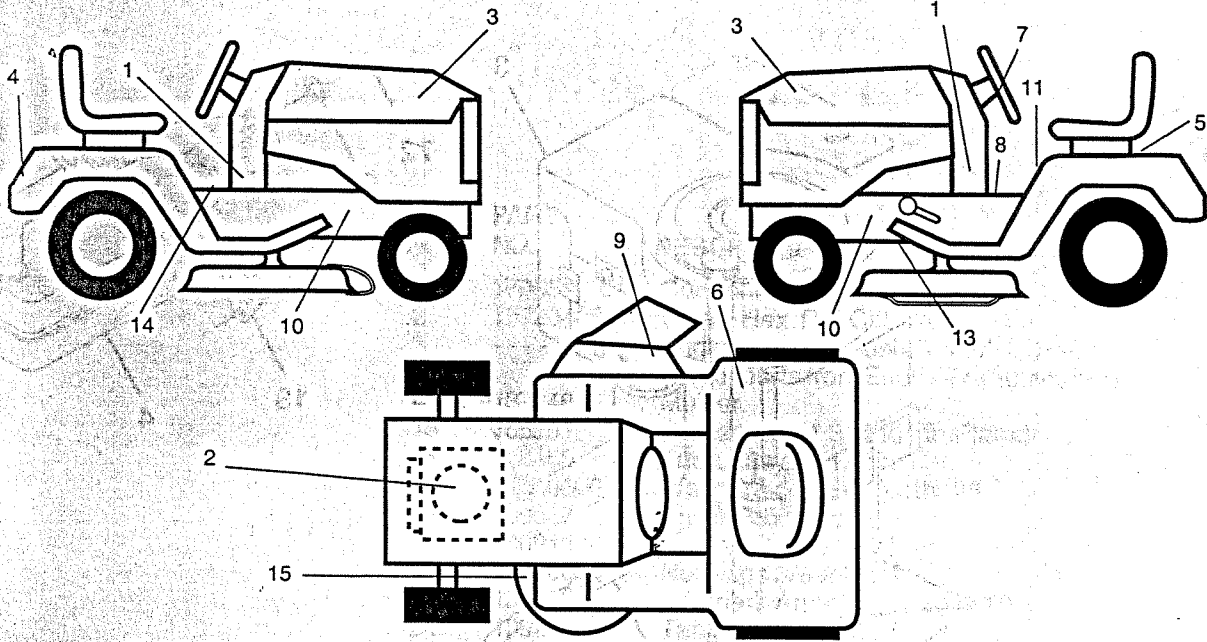
KEY NO.	PART NO.	DESCRIPTION
13	121248X	Bushing Snap Blk Nyl 50 Id
14	72050412	Bolt Rdhd Sht 1/4-20x1-1/2
15	134300	Spacer Split 28x 96 Yel Zinc
16	121250X	Spring Cprsn 1 27 Blk Pnt
17	123976X	Nut Lock 1/4 Lge Flg Gr 5
21	171852	Bolt Shld 5/16-18 Unc
22	73800500	Nut Lock Hex W/Ins 5/16-18
24	19171912	Washer 17/32 x1-3/16x12 Ga
25	127018X	Bolt Shoulder 5/16-18 x 62

**NOTE:** All component dimensions given in U. S. inches 1 inch = 25.4 mm

# REPAIR PARTS

TRACTOR- -MODEL NO. 917. 277010

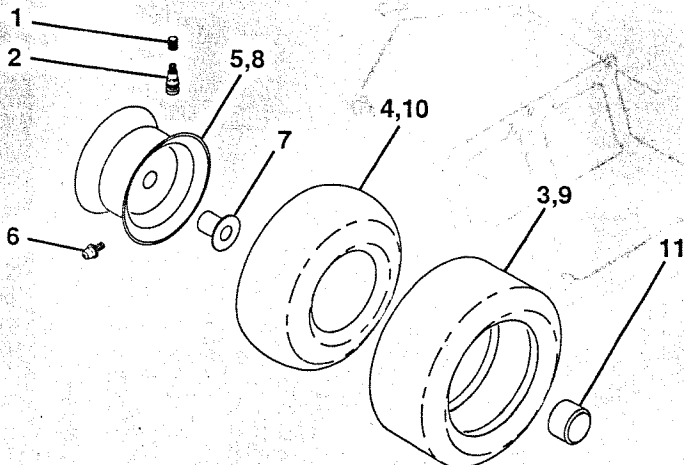
## DECALS



KEY NO.	PART NO.	DESCRIPTION
1	182575	Decal Lower Dash
2	165347	Decal Engine
3	171704	Decal Hood
4	163204	Decal Fender
5	145005	Decal Battery Danger
6	180432	Decal, Fend 100/CE
7	172275	Decal Steering
8	140837	Decal, Brake Park
9	182166	Decal, Cut Finger
10	159736	Decal, Chassis Hot Muffler

KEY NO.	PART NO.	DESCRIPTION
11	145498	Decal Read Owners Manual
13	146046	Decal V-Belt Dr Sch tractor
14	159737	Decal, Brake/Clutch
15	136832	Decal V-Belt sch
--	138311	Decal Handle Lft Height Adjust (Lift Handle)
--	162598	Decal, Drawbar
--	182527	Manual Oper, Euro
--	182528	Manual Oper, Scan
--	182529	Manual, Parts

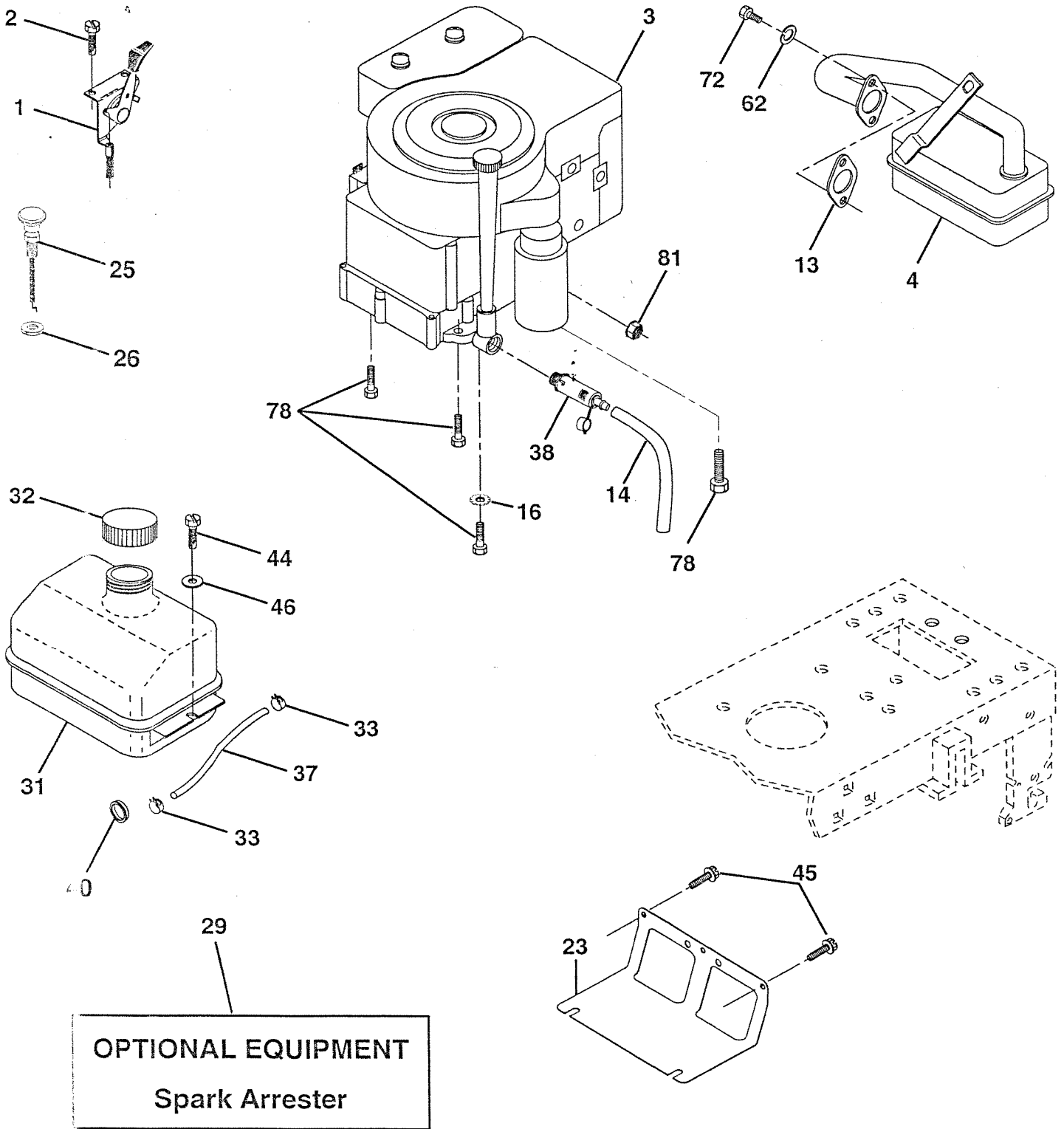
## WHEELS AND TIRES



KEY NO.	PART NO.	DESCRIPTION
1	59192	Cap Valve Tire
2	65139	Stem Valve
3	106222X	Tire F Ts 15 X 6 0 - 6 Service
4	59904	Tube Front (Service Item Only)
5	106732X427	Rim Asm 6"front White Service
6	278H	Fitting Grease (Front Wheel Only)
7	9040H	Bearing Flange (front Wheel Only)
8	106108X427	Rim Asm 8"rear White Service
9	124635X	Tire Rear
10	7152J	Tube Rear (Service Item Only)
11	104757X428	Cap Axle Blk 1 50 X 1 00
--	144334	Sealant, Tire ( 10 oz. Tube)

**NOTE:** All component dimensions given in U. S. inches 1 inch = 25.4 mm

### ENGINE



# REPAIR PARTS

## TRACTOR- -MODEL NO. 917. 277010

### ENGINE

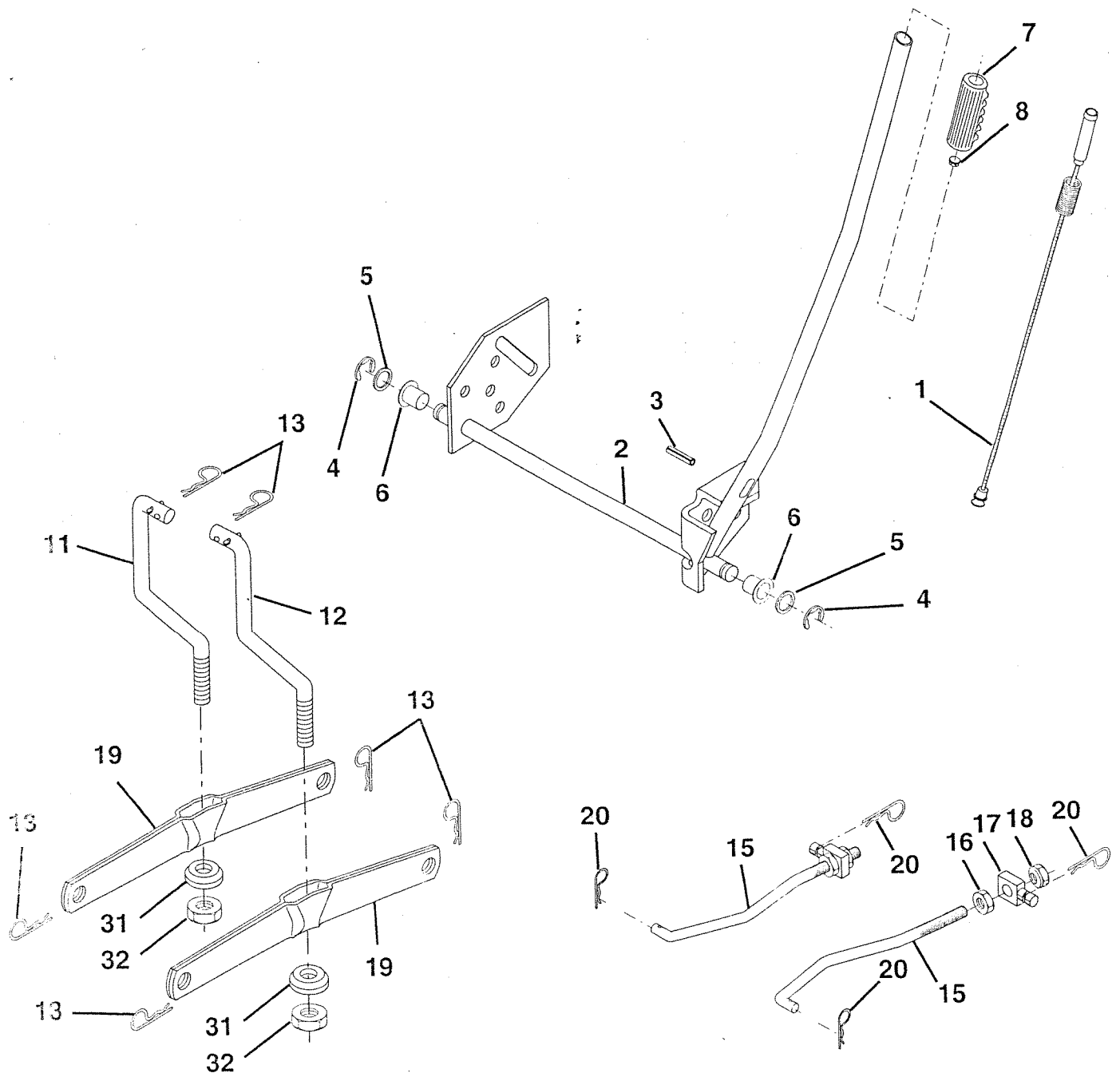
KEY NO.	PART NO.	DESCRIPTION
1	170551	Control Th/ch
2	17720408	Screw Hex Thd Cut 1/4-20 x 1/2
3	-----	Engine Briggs Model 289707-1110-E1 (Order parts from Engine Manufacturer)
4	137348	Muffler
13	165291	Gasket Eng 1 313 Id Tin Plated
14	148456	Tube Easy Oil Drain
16	11050600	Washer Lock Ext Tooth 3/8
23	169837	Shield Browning
25	180945	Control Choke 1 Cyl
26	73920600	Nut Keps 3/8-24 Unf
29	137180	Kit Spark Arrestor (Flat Scrn)
31	109202X	Tank Fuel Front 1 25
32	158990	Cap Asm Fuel
33	123487X	Clamp Hose Blk
37	137040	Line Fuel 20"
38	148315	Plug Oil Drain
40	124028X	Bushing Snap Nyl Blk Fuel Line
44	17670412	Screw Hexwsh Thdrol 1/4-20 x 3/4
45	17000612	Screw Hex Wsh Thdrol 3/8-16
46	19091416	Washer 9/32 x 7/8 x 16 ga
62	10040500	Washer Lock Hvy Hlcl Spr 5/16
72	71070512	Screw Hexhd Cap 5/16-18 x 3/4
78	17060620	Screw 3/8-16 x 1-1/4
81	73510400	Nut Keps Hex 1/4-20 UNC

**NOTE:** All component dimensions given in U. S.  
inches 1 inch = 25.4 mm

# REPAIR PARTS

TRACTOR- -MODEL NO. 917. 277010

## MOWER LIFT



# REPAIR PARTS

TRACTOR- -MODEL NO. 917. 277010

MOWER LIFT

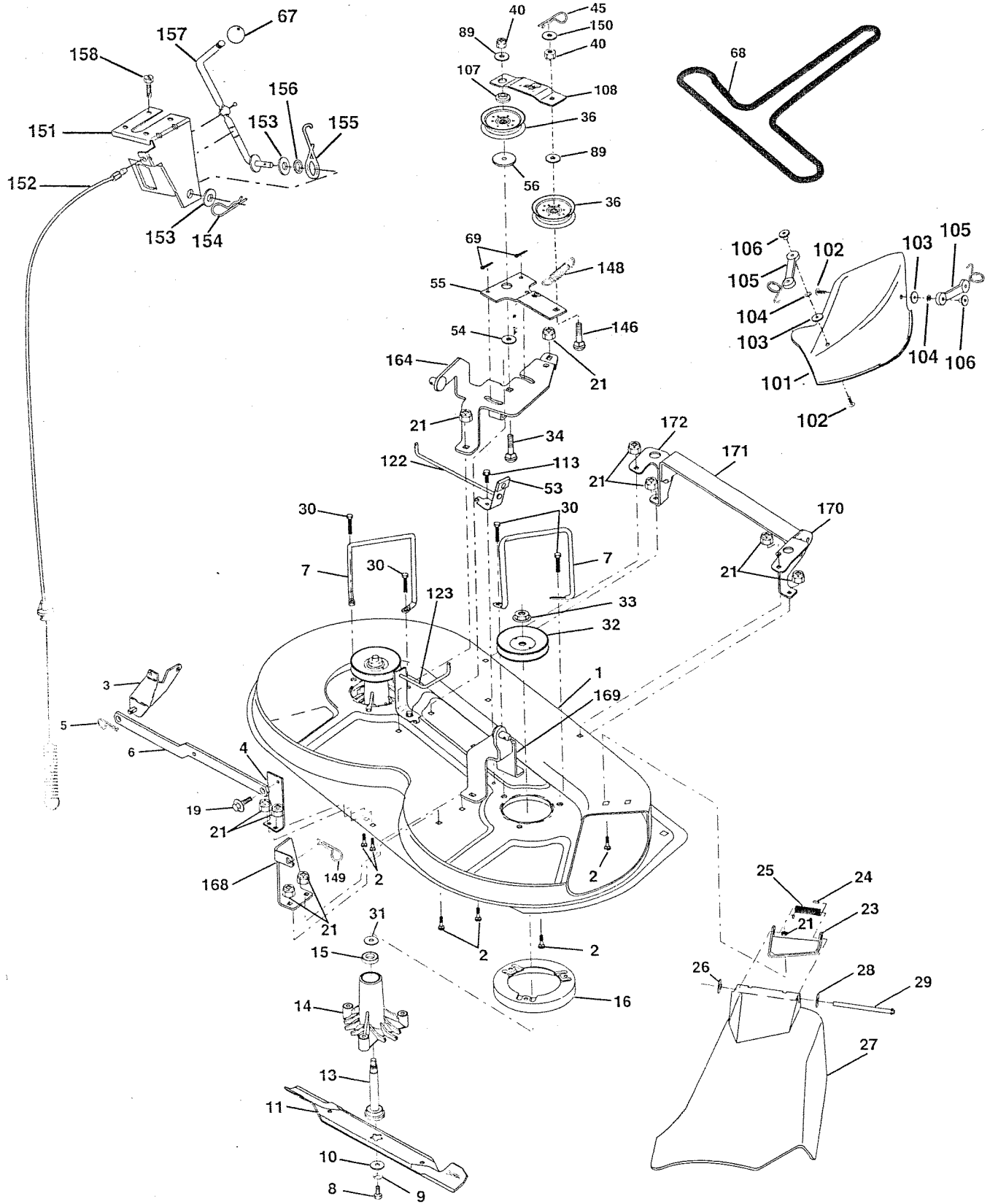
KEY NO.	PART NO.	DESCRIPTION
1	159460	Wire Asm Inner W/plunger
2	159471	Shaft Asm Lift
3	105767X	Pin Groove 1 500 Zinc
4	12000002	E Ring #5133-62
5	19211621	Washer Pltd 21/32 X 1 X 21ga
6	120183X	Bearing Nylon Blk 629 Id
7	125631X	Grip Handle Fluted Blk
8	122365X	Button Plunger Red
11	139865	Link Lift LH
12	139866	Link Lift RH
13	4939M	Retainer Spring
15	173288	Link Front
16	73350800	Nut Jam Hex 1/2-13 Unc
17	175689	Trunnion Blk Zinc
18	73800800	Nut Lock w/Wsh 1/2-13 UNC
19	139868	Arm Suspension Rear
20	163552	Retainer Spring Zinc
31	169865	Bearing Pvt Lift
32	73540600	Nut Crownlock 3/8-24

**NOTE:** All component dimensions given in U. S.  
inches 1 inch = 25.4 mm

# REPAIR PARTS

TRACTOR- -MODEL NO. 917. 277010

MOWER





# REPAIR PARTS

## TRACTOR- -MODEL NO. 917. 277010

### MOWER

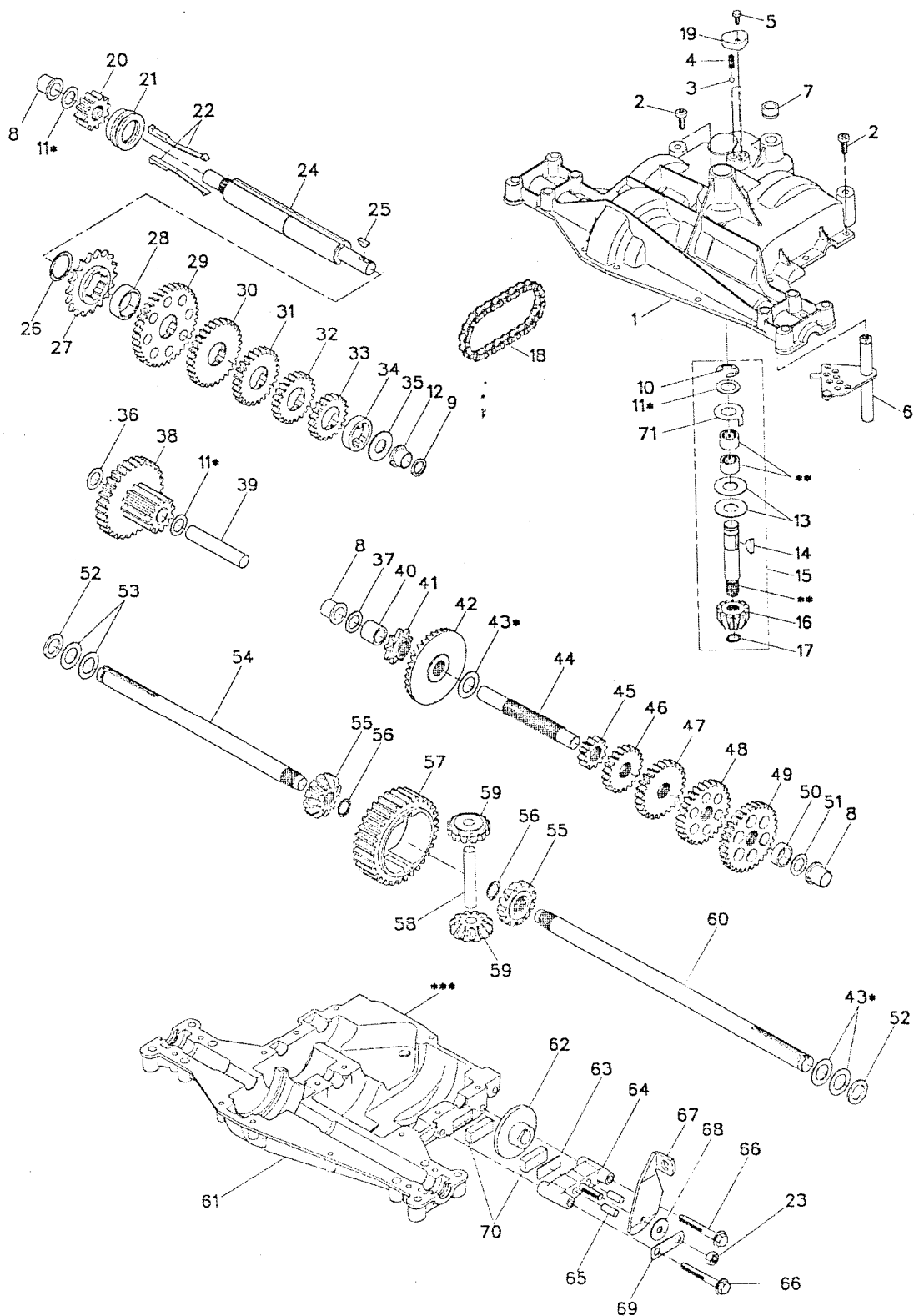
KEY NO.	PART NO.	DESCRIPTION	KEY NO.	PART NO.	DESCRIPTION
1	174595	Mower Deck Assembly	69	76020312	Pin, Cotter 3/32 x 3/4
2	72140506	Bolt	89	19131612	Washer 13/32 x 1 x 12 Ga
3	138017	Bracket Assembly, Sway Bar	101	140102	Cover Mulch 36"
4	175654	Bracket Sway Bar	102	71081010	Screw Pan Hd 10-24 x 5/8
5	4939M	Retainer Spring	103	19061212	Washer #10
6	178024	Bar Sway Deck	104	10071000	Washer Lock #10
7	140608	Keeper Belt	105	160793	Latch Asm Mulch
8	850857	Bolt, Hex 3/8-24 x 1.25 Gr. 8	106	2029J	Nut Weld
9	10030600	Washer, Lock Hvy Hlcl 3/8	107	133502	Spacer, Retainer
10	140296	Washer, Hardened	108	133503	Stiffener, Idler Arm
11	138496	Blade, Mower	113	17490508	Screw Thdrol 5/16-18 x 1/2
13	137645	Shaft Assembly, Mandrel, Vented	122	174505	Rod, Brake, LH
14	128774	Housing, Mandrel, Vented	J23	174504	Rod, Brake, RH
15	110485X	Bearing, Ball, Mandrel	146	165891	Bolt Carriage Idler
16	174493	Stripper, Mandrel Deck	148	169022	Spring Return Idler
19	132827	Bolt, Shoulder	149	165898	Retainer Spring Yellow Zinc
21	73680500	Nut Crownlock 5/16-18	150	19091216	Washer 9/32 x 3/4 x 16 Ga.
23	136631	Bracket, Mower Deflector	151	169670	Bracket Clutch
24	105304X	Cap, Sleeve	152	176079	Cable Clutch
25	123713X	Spring, Torsion, Deflector	153	169674	Washer Flat 3/8" Type B
26	110452X	Nut, Push	154	169675	Spring Retainer
27	175029X428	Shield, Deflector	155	169671	Spring Retention Lever
28	19111016	Washer 11/32 x 5/8 x 16 Ga.	156	169672	Spacer
29	121980X	Rod, Hinge	157	169669	Rod Clutch
30	173984	Screw Thdrol Washer Head	158	17720408	Screw Hex Thd Cut 1/4-20x1/2
31	129963	Washer, Spacer	164	174976	Bracket Asm Idler Support
32	153531	Pulley, Mandrel	168	172377	Bracket Deck Cable
33	178342	Nut, Toplock, Flanged	169	174977	Bracket Asm Suspension
34	72110614	Bolt Rdhd 3/8-16 x 1-3/4	170	172359	Bracket Suspension RF
36	131494	Pulley, Idler, Flat	171	165237	Brace Support Susp. Frt
40	73680600	Nut Crownlock 3/8-16	172	172355	Bracket Suspension LF
45	4497H	Retainer, Spring	--	130794	Mandrel Assembly (Includes Housing, Shaft and Shaft Hardware Only - Pulley Not Included)
53	130840	Brake Assembly	--	181376	Replacement Mower, Complete
54	133943	Washer, Hardened			
55	133840	Idler Arm Assembly			
56	165723	Spacer, Retainer			
67	149846	Knob Custom			
68	180213	Belt			

**NOTE:** All component dimensions given in U.S. inches  
1 inch = 25.4 mm

# REPAIR PARTS

TRACTOR- -MODEL NO. 917. 277010

DANA TRANSAXLE - MODEL NUMBER D4360-139



# REPAIR PARTS

## TRACTOR- -MODEL NO. 917. 277010

### DANA TRANSAXLE - MODEL NUMBER D4360-139

KEY NO.	PART NO.	DESCRIPTION	KEY NO.	PART NO.	DESCRIPTION
1	170981	Housing, Upper	41	105928X	Sprocket, 9T
2	2274J	Screw, Tapping, 1/4-20 X .734	42	170988	Gear, Bevel, 36T
3	134400	Ball, Detent	43	134394 *	Assy, Kit, Shim, .750 Shaft
4	105904X	Spring, Detent	44	120473X	Shaft, Drive
5	160940	Screw, Tapping, No. 10-24 X .482	45	142678	Gear, Spur, 12T
6	138235	Assy, Kit, Shifter	46	124641 X	Gear, Spur, 20T
7	108727X	V-Ring	47	106589X	Gear, Spur, 25T
8	148266	Bearing, Flange	48	120408X	Gear, Spur, 28T
9	148269	Seal, Oil	49	105937X	Gear, Spur, 31T
10	2225J	Ring, Retaining	50	105936X	Spacer, .781 X 1.00 X .375
11	134793 *	Assy, Kit, Shim, .625 Shaft	51	2226J	Washer, Plain, .632 X 1.00 X .060
12	148268	Bearing, Flange	52	134401	Washer, Neoprene
13	120415X	Washer, Plain, .632 X 1.38 X .046	53	2264J	Washer, Plain, .758 X 1.25 X .031
14	142674	Key, Woodruff, No. 9	54	160946	Axle, LH
15	170983	Assy, Kit, Input Shaft	55	170990	Gear, Miter, T, Splined
16	170986	Pinion, Bevel, 12T	56	160948	Ring, Retaining
17	105909X	Ring, Retaining	57	110071X	Gear, Spur, 32T
18	105910X	Chain, 24 Pitches	58	120952X	Shaft, Cross
19	160942	Cover, Detent	59	170991	Gear, Miter, 1 2T, Idler
20	160943	Gear, Spur, 1 2T	60	160950	Axle, RH
21	148267	Collar, Clutch	61	170992	Housing, Lower
22	138236	Assy, Kit, Clutch Keys	62	7294J	Disc, Brake
23	73810500	Nut, Lock, 5/16-24	63	108989X	Spacer, Brake Puck
24	142676	Shaft, Intermediate	64	160952	Jaw, Brake
25	2244J	Key, Woodruff, No. 61	65	120954X	Pin, Dowel
26	105916X	Ring, Retaining	66	160953	Screw, Tapping, 5/16-18 X 2.35
27	120470X	Sprocket, 1 8T	67	138244	Lever, Actuating
28	110070X	Spacer, 1. 131 X 1.45 X .494	68	108996X	Washer, Plain, .321 X 1.00 X .055
29	142677	Gear, Spur, 37T	69	160954	Bracket, Anti-Rotation
30	124644X	Gear, Spur, 30T	70	120951X	Puck, Friction
31	108980X	Gear, Spur, 25T	71	174256	Washer, Anti Rotation
32	120406X	Gear, Spur, 22T	72	120416X	Grease
33	134796	Gear, Spur, 1 9T			
34	134797	Spacer, 1. 133 X 1.50 X .375			
35	105925X	Washer, Plain, .640 X 1.37 X .061			
36	2228J	Washer, Plain, .632 X 1.00 X .046			
37	170987	Washer, Plain, .632 X 1.00 X .031			
38	174255	Assy, Gear, Comb., 12T & 30T			
39	124639X	Shaft, Idler			
40	120472X	Spacer, .633 X .87 X .755			

**NOTE:** All component dimensions given in U.S. inches  
1 inch = 25.4 mm

- \* Use in various combinations to maintain proper clearances.
- \*\* Order Key No. 15.
- \*\*\* Silicone Sealant to be applied between Upper and Lower Housings (use Loctite Ultra Gray Silicone 5699 or equivalent).