

REPAIR PARTS MANUAL
MODEL NO. 253930 = 259151
LAWN TRACTOR

COMPANION[®]

HOW TO USE THIS MANUAL

This manual is designed to provide the customer with a means to identify the parts on his/her tractor when ordering repair parts. The illustrations may or may not represent the actual assemblies; therefore, it is not recommended to use this manual as a guide to assemble or disassemble the tractor. Some hardware and parts are drawn larger in order to more readily identify them.

Each tractor has its own model number.

The model number for your tractor can be found on the fender under the seat.

When ordering parts, always give the following information:

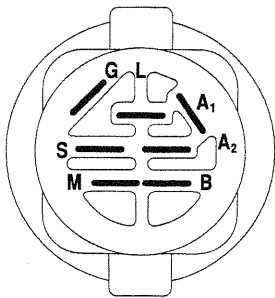
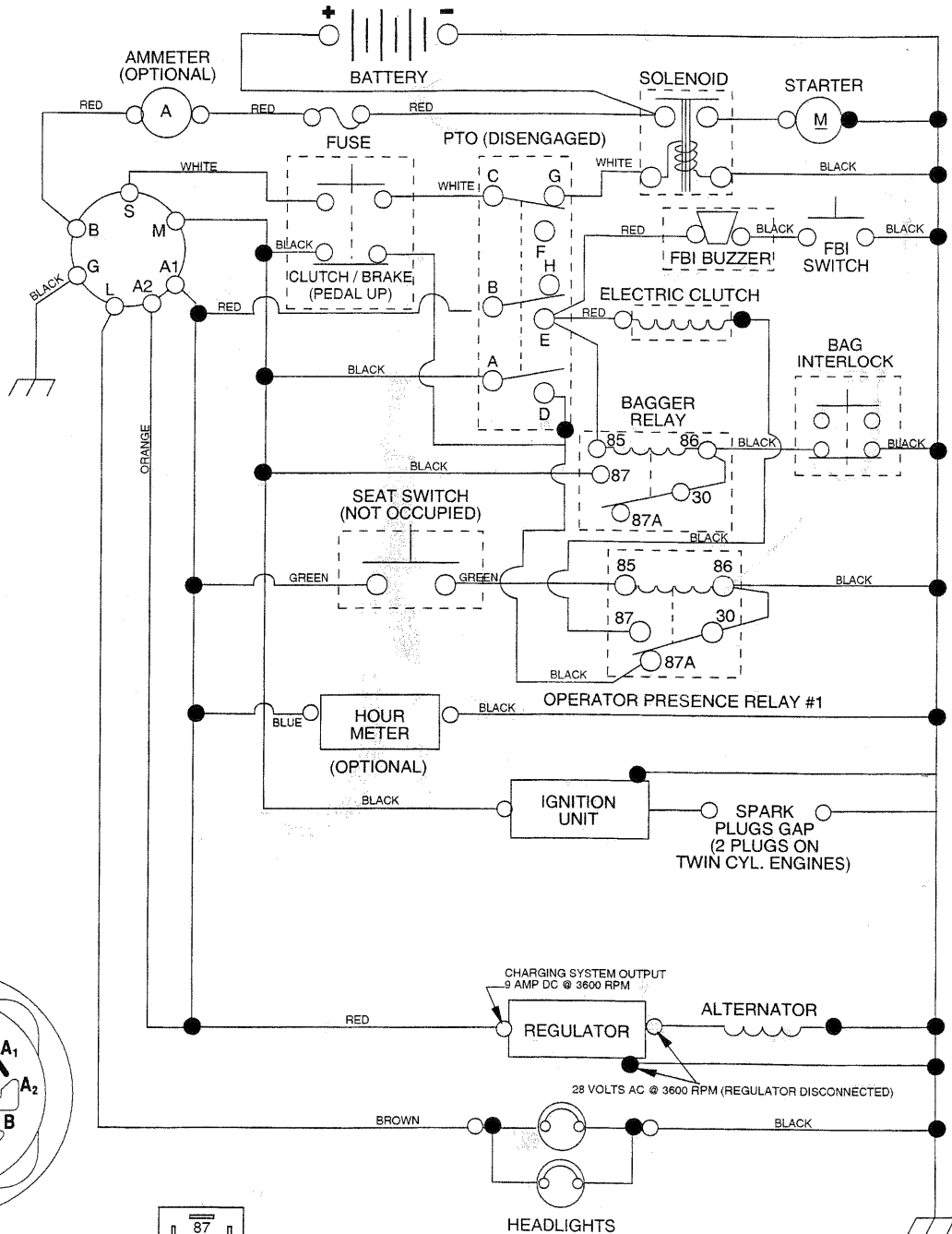
- Product - "Tractor"
- Model Number - "253930"
- Part Number
- Part Description

TABLE OF CONTENTS

SCHEMATIC	3
ELECTRICAL	4-5
CHASSIS	6-7
DRIVE	8-9
STEERING	10-11
SEAT	12
DECALS	13
ENGINE	14-15
MOWER LIFT	16-17
MOWER DECK	18-19
BAGGER	20-21
TRANSAXLE	22-23
ENGINE BREAKDOWN	24-29

TRACTOR- -MODEL NO. 917. 253930

SCHEMATIC



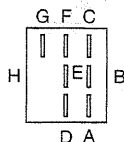
IGNITION SWITCH

POSITION	CIRCUIT	"MAKE"
OFF	M+G+A1	NONE
RUN/LIGHT	B+A1	A2+L
RUN	B+A1	NONE
START	B + S + A1	NONE

WIRING INSULATED CLIPS
 NOTE: IF WIRING INSULATED CLIPS WERE REMOVED FOR SERVICING OF UNIT, THEY SHOULD BE REPLACED TO PROPERLY SECURE YOUR WIRING.



RELAY



PTO SWITCH

POSITION	CIRCUIT
OFF	C + G, B + H
ON	C + F, B + E, A + D

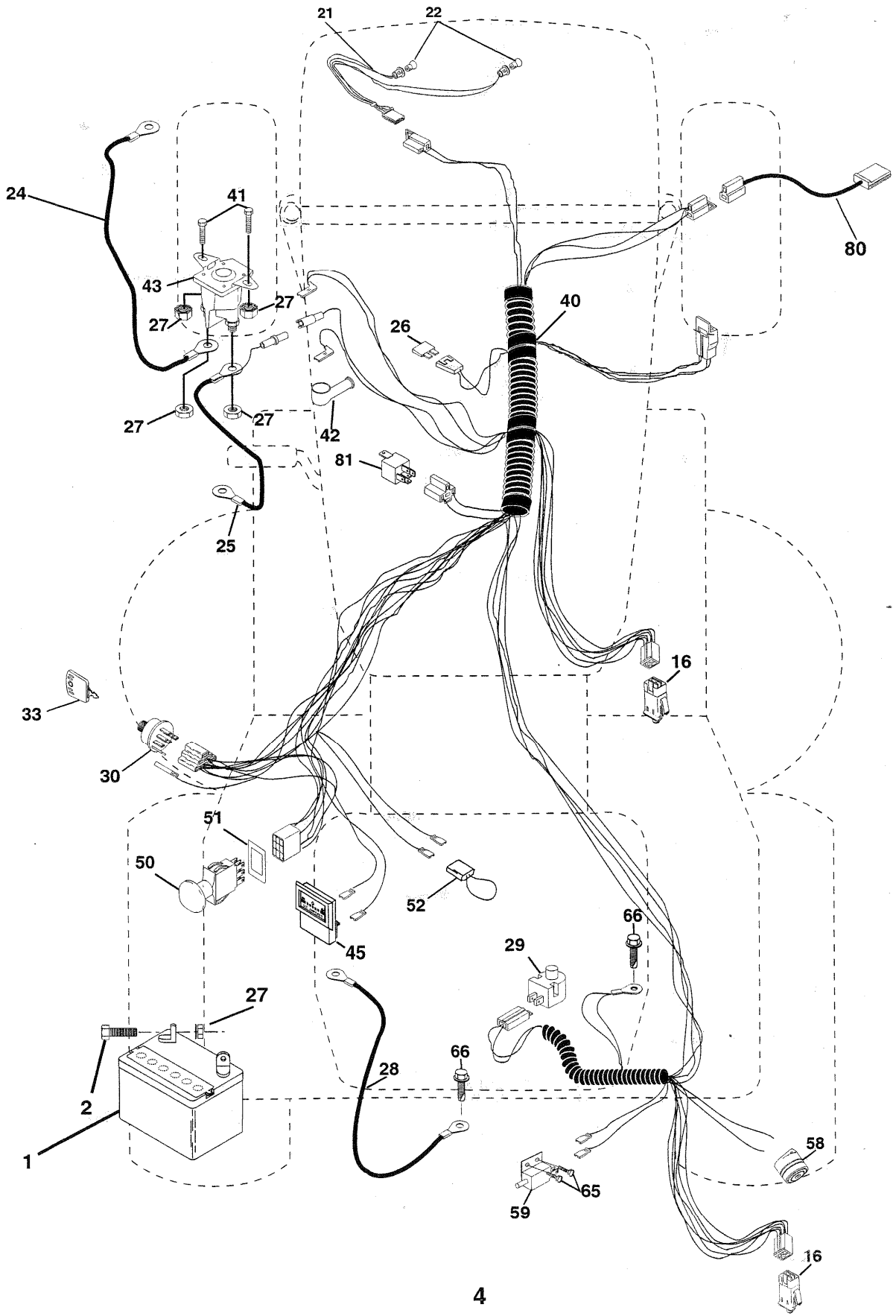
●
 NON-REMOVABLE CONNECTIONS

○
 REMOVABLE CONNECTIONS

REPAIR PARTS

TRACTOR- -MODEL NO. 917. 253930

ELECTRICAL



REPAIR PARTS

TRACTOR- -MODEL NO. 917. 253930

ELECTRICAL

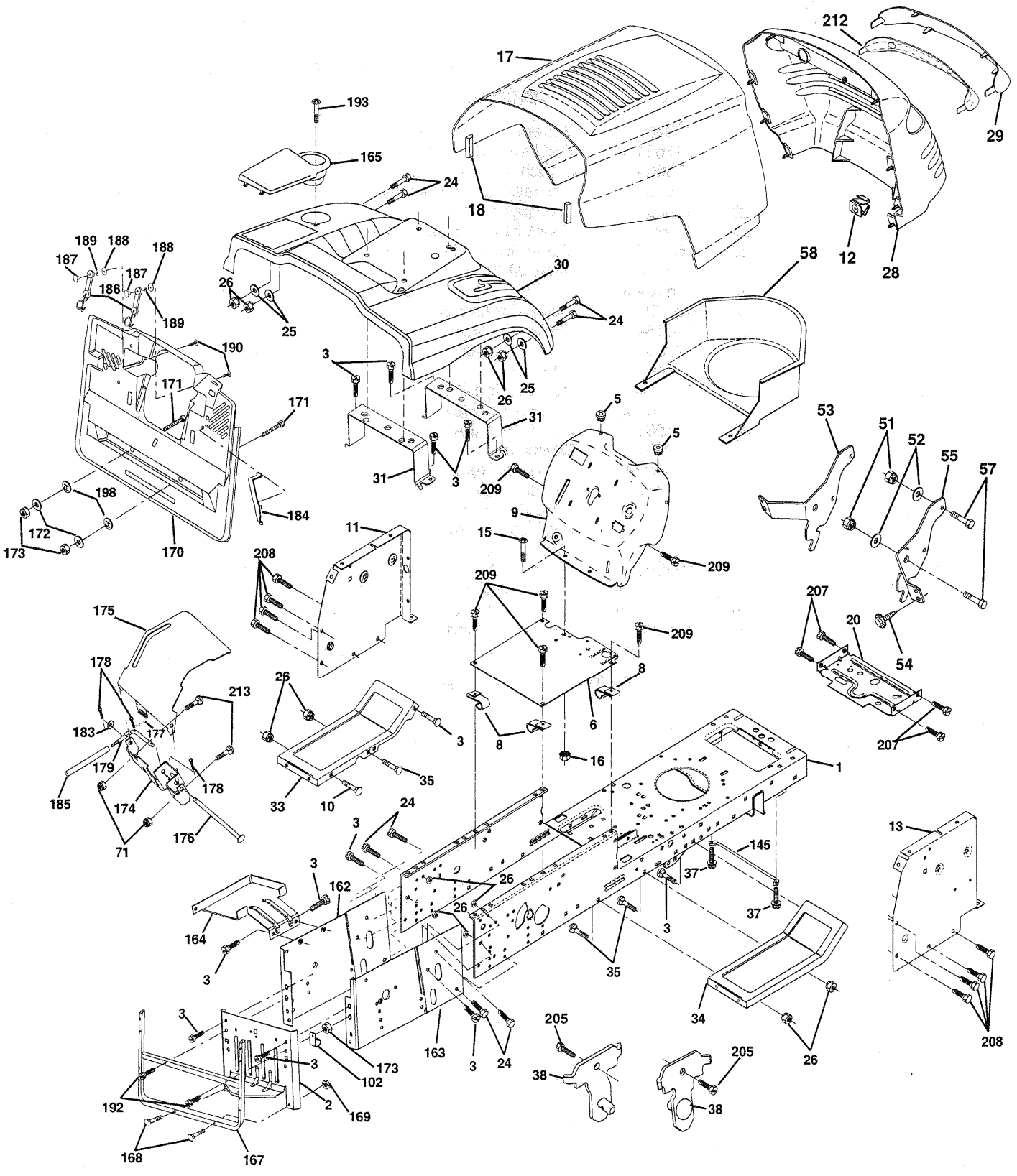
KEY NO.	PART NO.	DESCRIPTION
1	163465	Battery
2	74760412	Bolt Hex Hd 1/4-20 Unc X 3/4
16	153664	Switch Interlock Push-In
21	166181	Harness Asm Light W/4152J
22	4152J	Bulb Light #1156
24	4799J	Cable Starter 6Ga 11" Red
25	165987	Cable Battery Crd 56" Red
26	175158	Fuse 20 Amp
27	73510400	Nut Keps Hex 1/4-20 Unc
28	127725X	Cable Ground 6Ga 18" Black
29	160784	Switch Plunger Normal Op Olive
30	175566	Switch Ignition
33	140401	Key Ign
40	170214	Harness Ign Crd Elect
41	71110408	Bolt Flk Fin Hex 1/4-20 Unc X 1/2
42	131563	Cover Terminal Red
43	178861	Solenoid
45	122822X	Ammeter Rect.
50	174652	Switch PTO
51	140405	Ring Retainer PTO
52	141940	Protection Wire Loop
58	169419	Buzzer Crd
59	166299	Switch FBI CRD
65	17211008	Screw Slftp #10-16 x 1/2 Ty-Ab
66	17490608	Screw Thdrol 3/8-16 x 1/2 Ty-Tt
80	146685	Harness Clutch EVX
81	109748X	Relay Asm

NOTE: All component dimensions given in U.S. inches.
1 inch = 25.4 mm.

REPAIR PARTS

TRACTOR- -MODEL NO. 917. 253930

CHASSIS AND ENCLOSURES



REPAIR PARTS

TRACTOR- -MODEL NO. 917. 253930

CHASSIS AND ENCLOSURES

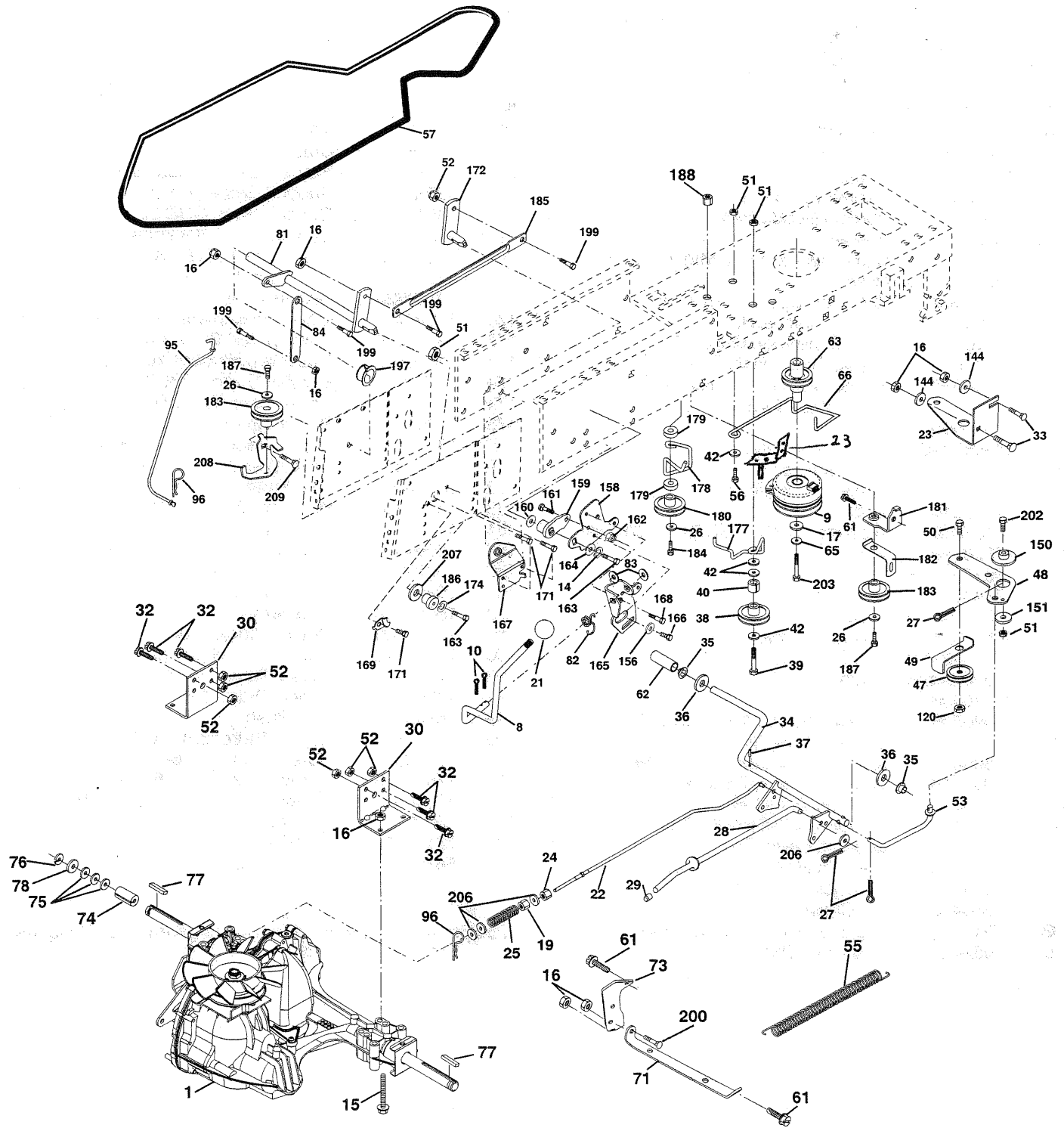
KEY NO.	PART NO.	DESCRIPTION	KEY NO.	PART NO.	DESCRIPTION
1	169831	Chassis	162	170256	Bracket Exten Chassis Lh CRD
2	165606	Drawbar	163	175770	Bracket Exten Chassis Rh CRD
3	17060612	Screw 3/8-16 x 3/4	164	165605	Support Battery CRD
5	155272	Bumper Hood/Dash	165	165742X428	Cover Battery CRD Lt
6	155923	Saddle	167	165779	Support Asm. Backplate WLDMNT
8	126471X	Clip Insulator 13/32 Mtg. Hole	168	72050412	Bolt, RDHD SHT NK 1/4-20 x 1-1/2
9	168352X010	Dash	169	123976X	Nut, Lock 1/4 LGE FLG Gr. 5 Zinc
10	72140608	Bolt, Carriage 3/8-16 x 3/4	171	72140620	Bolt Hex 3/8-16 x 2-1/2 Gr 5
11	155927	Panel, Dash, L.H.	170	175264	Cover, Backplate Plastic Black
12	145660	Clip, Tinnerman Grille P/L	172	19132016	Washer 13/32 x 1-1/4 x 16 Ga.
13	172108	Panel, Asm. Dash R.H.	173	73510600	Nut, Keps Hex 3/8-16 UNC
15	74180512	Screw, Machine, Truss Head 5/16-18 UNC x 3/4	174	165939	Bracket Switch FBI CRD
16	73510500	Nut	175	166212	Guard Door Rear CRD
17	144983X428	Hood Assembly	176	128600	Pin Hinge Pivot
18	126938X	Bumper Hood	177	132796	Spring Bagger Top LH Black
20	156437	Plate Mtg. Battery	178	76020312	Pin Cotter 3/32 x 3/4 Cad Zinc
24	74780616	Bolt	179	165942	Rod Pivot FBI CRD
25	19131312	Washer 13/32 x 13/16 x 12 Gauge	183	19131316	Washer 13/32 x 13/16 x 16 Ga.
26	73800600	Nut	184	174662	Bracket Actuator Bagger CRD
28	170473X428	Grille PL	185	165940	Tube Lever Switch FBI CRD
29	170472	Lens, Grille	186	160793	Latch Asm Mulch/Bagger
30	170139X428	Fender	187	2029J	Nut Weld .327/.304 #10-24
31	165156	Bracket, Fender Support	188	19061216	Washer #10
33	145244X428	Footrest, L.H.	189	10071000	Washer Lock #10
34	145243X428	Footrest, R.H.	190	71081010	Screw Truss Hd Phil 10-24 x 5/8
35	72110606	Bolt	193	17070412	Screw Truss 1/4-20 x 3/4
37	17490508	Screw Thdrol 5/16-18 x 1/2 TYT	192	17060624	Screw Thdrol 3/8-16 x 1-1/2
38	175710	Bracket Asm Pivot Rear	198	168937	Nut, Push
51	73800400	Nut Lock w/Insert 1/4-20 UNC	205	17490608	Screw Thdrol 3/8-16 x 1/2
52	19091416	Washer 9/32 x 7/8 x 16 Ga.	207	17670508	Screw Thdrol 5/16-18 x 1/2
53	144697	Bracket, Grille LH	208	17670608	Screw Thdrol 3/8-16 x 1/2
54	161464	Screw Hex WSHD 8-18 x 7/8	209	17000612	Screw Hex Wsh Thdrol 3/8-16
55	144696	Bracket, Grille RH	212	156229	Insert Lens Reflect
57	74780412	Bolt, Fin Hex 1/4-20 UNC x .75	213	72110406	Bolt Carr
58	140547	Air Duct	--	5479J	Plug, Button
71	73680400	Nut Crownlock 1/4-20			
102	2751R	Clip line Fule 13/32 Mtg Hole			
145	156524	Rod Pivot Chassis/Hood			

NOTE: All component dimensions given in U.S. inches.
1 inch = 25.4 mm.

REPAIR PARTS

TRACTOR- -MODEL NO. 917.253930

DRIVE



REPAIR PARTS

TRACTOR- -MODEL NO. 917.253930

DRIVE

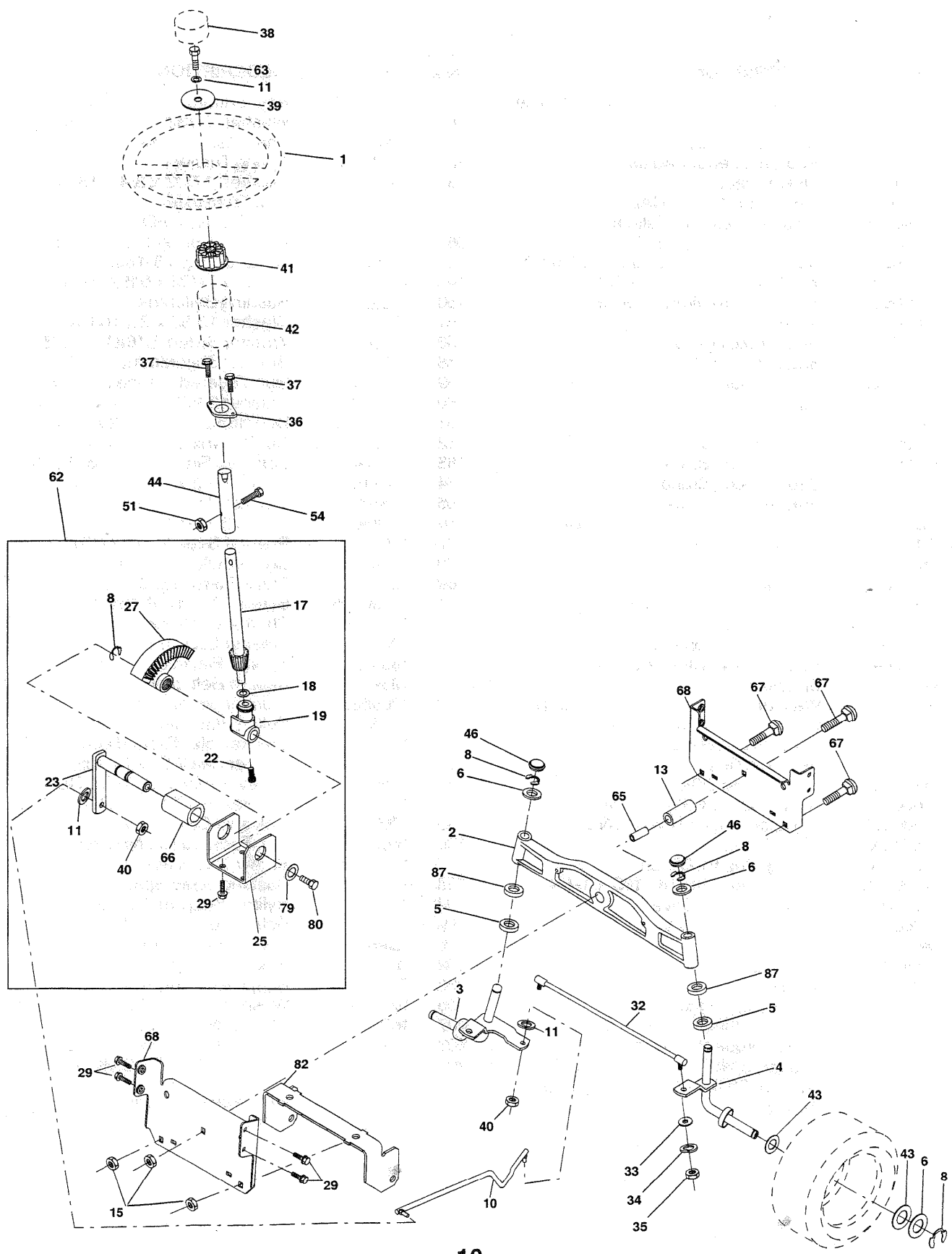
KEY NO.	PART NO.	DESCRIPTION	KEY NO.	PART NO.	DESCRIPTION
1	-----	Transaxle (Order part from transaxle manufacturer)	77	123583X	Key, Square
		Hydro Gear Model 321-0510	78	121748X	Washer 25/32 x 1-5/8 x 16 Gauge
8	165619	Rod Shift Fender Adjust	81	170006	Shaft Asm. Cross
9	175540	Clutch Elect	82	123782X	Spring Torsion
10	76020416	Pin Cotter 1/8 x 1 CAD	83	19171216	Washer 17/32 x 3/4 x 16 Ga.
14	10040400	Washer Lock Hvy Helical	84	170007	Link Transaxle
15	74490544	Bolt Hex 5/16-18 Gr. 5	95	170015	Rod Bypass CRD
16	73800500	Nut Lock Hex W/Ins 5/16-18 Unc P	96	4497H	Retainer Spring 1" Zinc/Cad
17	126197X	Washer 1-1/2 x 15/32 x 1/4	120	73900600	Nut Lock Flg 3/8-16unc
19	73800600	Nut Lock Hex W/Ins 3/8-16	144	19111016	Washer 11/32 x 5/8 x 16 Ga.
21	130564	Knob	150	165850	Bushing Bellcrank
22	170137	Rod, Brake Hydro	151	19133210	Washer 13/32 x 2 x 10 Ga.
23	170171	Bracket Asm	156	166002	Washer Srrted 5/16ID x 1.125
24	73350600	Nut Hex Jam 3/8-16	158	165589	Bracket Shift Mount
25	106888X	Spring, Brake Rod	159	165494	Hub Tapered Flange Shift Lt
26	19131316	Washer 13/32 x 13/16 x 16 Ga.	160	19292016	Washer 29/32 x 1-1/4 x 16 Ga
27	76020412	Pin Cotter 1/8 x 3/4 CAD.	161	72140406	Bolt Rdhd Sqnk 1/4-20 x 3/4 Gr. 5
28	145204	Rod, Parking Brake	162	73680400	Nut Crownlock 1/4-20 Unc
29	71673	Cap, Parking Brake	163	74780416	Bolt Hex Fin 1/4-20 Unc x 1 Gr 5
30	169592	Bracket, Transaxle	164	19091010	Washer 5/8 x .281 x 10 Ga
32	74760512	Bolt Hex Hd 5/16-18 Unc x 3/4	165	165623	Bracket Pivot Lever
33	72140506	Bolt Rdhd Sqnk 5/16-18 unc x 3/4	166	166880	Screw 5/16-18 x 5/8
34	165496	Shaft, Foot Pedal	167	165588	Bracket Support Shift CRD
35	120183X	Bearing, Nylon	168	165492	Bolt Shoulder 5/16-18 x .561
36	19211616	Washer 21/32 x 1 x 16 Ga	169	165580	Plate Fastening Cross Shf. Stit/CRD
37	1572H	Pin, Roll	171	17490608	Screw Thdrol 3/8-16 x 1/2
38	165936	Pulley, Flat, Composite	172	170271	Shaft Asm Shifter Frt CRD
39	74760644	Bolt Fin Hex 3/8-16 x 2 3/4	174	10090400	Washer Lock 1/4
40	4470J	Spacer, Split	177	165932	Keeper Flat Idler
42	19131312	Washer 13/32 x 13/16 x 12 Gauge	178	165933	Keeper Belt Idler
47	127783	Pulley, Idler, V-Groove	179	120958X	Washer Sintered
48	154407	Bellcrank Assembly	180	165630	Pulley Flat Idler
49	123205X	Retainer, Belt	181	165797	Bracket Idler Ground Drive CRD
50	74760624	Bolt Hex Hd 3/8-16 x 1 1/2	182	165634	Keeper Belt 2.5"OD V-Idler CRD
51	73680600	Nut Crownlock 3/8-16 UNC	183	165626	Pulley V-Idler 2.50"OD CRD
52	73680500	Nut Crownlock 5/16-18 UNC	184	17490644	Scr Hexwsh Thdrol 3/8-16 x 2-3/4
53	105710X	Link, Clutch	185	170008	Link shift CRD Hydro
55	105709X	Spring, Return, Clutch	186	165614	Hub Tapered Round CRD
56	74760620	Bolt Fin Hex 3/8-16 UNC x 1-1/4	187	17060620	Screw Thdrol 3/8-16 x 1-1/4
57	170140	V-Belt, Ground Drive	188	110436X	Bushing Snap Split
61	17060612	Screw 3/8-16 x 3/4	197	169613	Nyliner Snap-In 5/8" ID
62	8883R	Cover, Pedal	199	169612	Bolt Shoulder 5/16-18unc
63	145868	Pulley, Engine	200	72140508	Bolt RDHD SQNK 5/16-18unc x 1
65	10040700	Washer	202	72110612	Bolt Carr Sh 3/8-16 x 1-1/2 Gr. 5
66	154778	Keeper Belt Engine	203	71170780	Bolt, Hex 7/16-20 x 5
71	169183	Strap Torque Lh Hydro	206	19131416	Washer 13/32 x 7/8 x 16
73	169182	Strap Torque Rh Hydro	207	169845	Washer Nylon Rear
74	137057	Spacer, Split	208	169844	Bracket Idler Rear LH CRD
75	121749X	Washer 25/32 x 1-1/4 x 16 Gauge	209	72110606	Bolt RDHD SHT SQNK 3/8-16 x 3/4
76	12000001	E-Ring			

NOTE: All component dimensions given in U.S. inches
1 inch = 25.4 mm

REPAIR PARTS

TRACTOR- -MODEL NO. 917.253930

STEERING ASSEMBLY



REPAIR PARTS

TRACTOR- -MODEL NO. 917.253930

STEERING ASSEMBLY

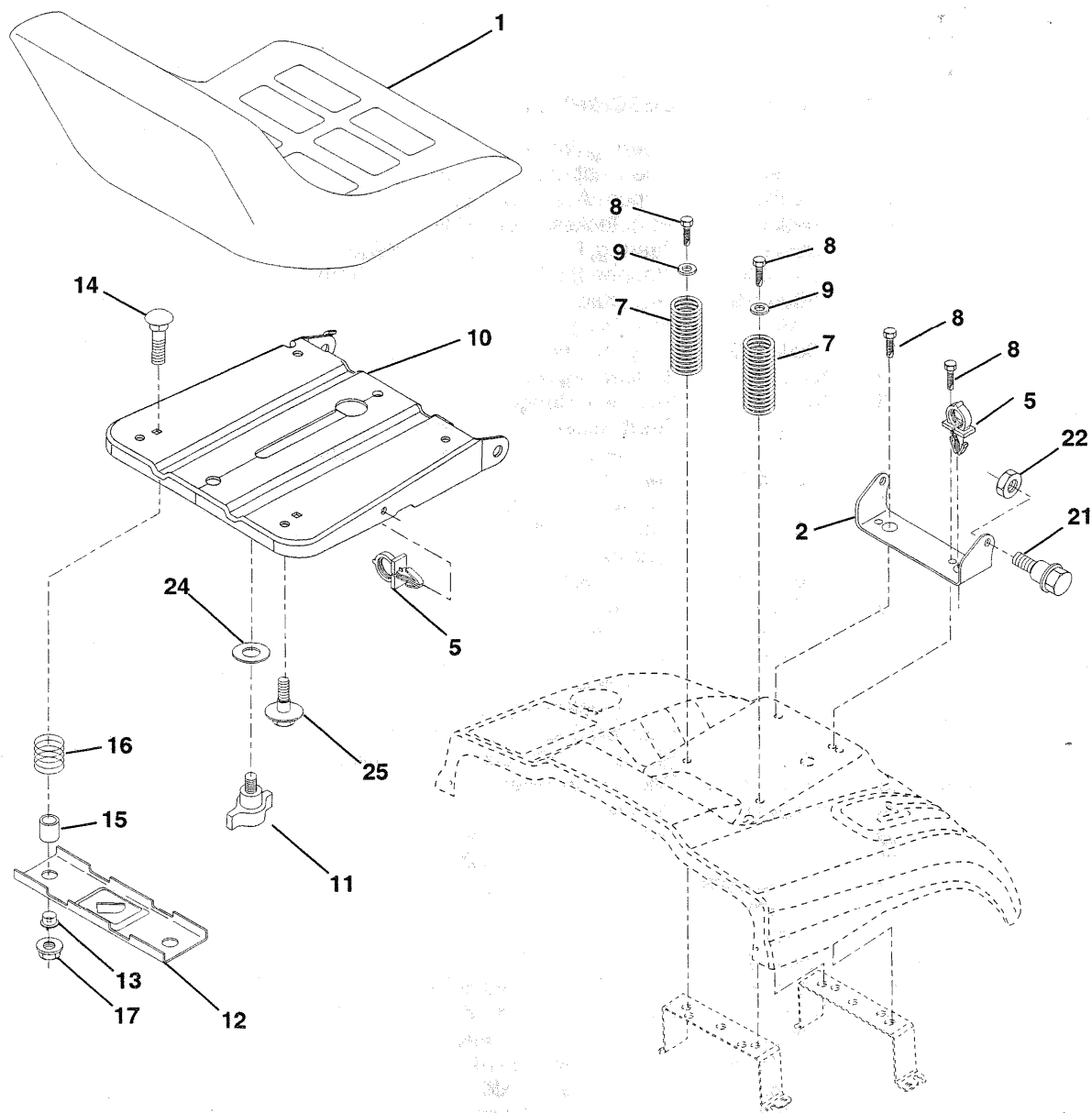
KEY NO.	PART NO.	DESCRIPTION
1	159944X428	Steering Wheel
2	172393	Axle Cast Lt Machined
3	169840	Spindle Assembly, L.H.
4	169839	Spindle Assembly, R.H.
5	6266H	Bearing, Race, Thrust, Hardened
6	121748X	Washer 25/32 x 1-5/8 x 16 Gauge
8	12000029	Ring, Klip
10	169832	Link, Drag
11	10040600	Washer, Lock
13	136518	Spacer Brg Axle Front
15	145212	Nut, Hex Flange Lock
17	156546	Shaft Assembly, Steering
18	57079	Washer, Thrust .515 x .750 x .033
19	160395	Support, Shaft
22	165857	Screw Hex Wshhd Torx
23	165851	Pittman Shaft Assembly
25	154406	Bracket, Steering
27	136874	Gear, Sector
29	17060612	Screw, 3/8-16 x 3/4
32	170162	Rod, Tie
33	19111216	Washer 11/32 x 3/4 x 16
34	10040500	Washer Lock Hvy HLCL SPR 5/16
35	73540500	Crownlock Nut 5/16-24
36	155099	Bushing, Steering
37	152927	Screw TT #10-32 x 5 x 3/8 Flange
38	159946X428	Cap Wheel Steering
39	19132411	Washer 13/32 x 1-1/2 x 11 Gauge
40	7810H	Nut Lock Center 3/8-24 Unf
41	159945	Adaptor, Steering Wheel
42	145054X428	Boot, Steering Dash P/L Mtl
43	121749X	Washer 25/32 x 1-1/4 x 16 Gauge
44	153720	Extension Steering Non-Adjust
46	121232X	Cap, Spindle
51	73800500	Nut Lock Hx W/Ins 5/16-18 UNC
54	74780520	Bolt Fin Hex 5/16-18 UNC x 1-1/4
62	167902	Kit, Steering Assembly, Service
63	74780616	Bolt Fin Hex 3/8-16 unc. x 1 Gr. 5
65	160367	Spacer Brace Axle
66	154404	Bearing Arm Pittman
67	72140618	Bolt Rdhd Sqnk 3/8-16 x 2-1/4
68	169827	Brace Axle
79	19132012	Washer 13/32 x 1-1/4 x 12 Ga
80	74950612	Bolt Hex Nylon 3/8-16 x 3/4
82	169835	Bracket Susp Chassis Front
87	173966	Washer Flat .781 x 1-1/2 x .14

NOTE: All component dimensions given in U.S. inches.
1 inch = 25.4 mm.

REPAIR PARTS

TRACTOR- -MODEL NO. 917.253930

SEAT ASSEMBLY



KEY NO.	PART NO.	DESCRIPTION
1	140120	Seat
2	140551	Bracket Pnt Pivot Seat (blk)
5	145006	Clip Push In Hinged
7	124181X	Spring Seat Cprsn 2 250 Blk Zi
8	17000616	Screw 3/8-16 X 1-1/2
9	19131614	Washer 13/32 X 1 X 14 Ga
10	174894	Pan Pnt Seat (blk)
11	166369	Knob Seat Adj Wingnut
12	121246X	Bracket Pnt Mounting Switch
13	121248X	Bushing Snap Blk Nyl 50 Id

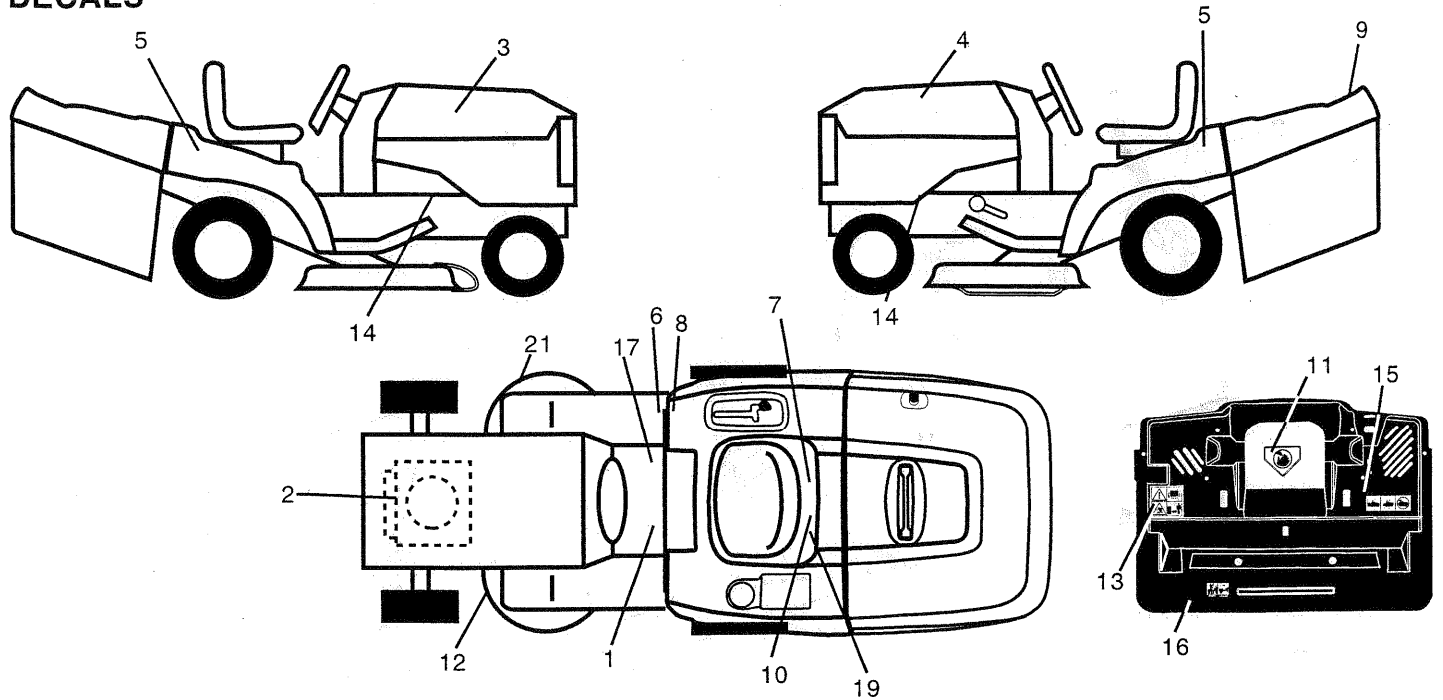
KEY NO.	PART NO.	DESCRIPTION
14	72050412	Bolt Rdhd Sht Nk 1/4-20x1-1/2
15	134300	Spacer Split .28 X .96 Zinc
16	121250X	Spring Cprsn
17	123976X	Nut Lock 1/4 Lge Flg Gr 5 Zinc
21	171852	Bolt Shoulder 5/16-18 Unc-2A
22	73800500	Nut Hex Lock w/Ins 5/16-18
24	19171912	Washer 17/32 X 1-3/16 X 12 Ga.
25	127018X	Bolt Shoulder 5/16-18 X 62

NOTE: All component dimensions given in U.S. inches.
1 inch = 25.4 mm

REPAIR PARTS

TRACTOR- -MODEL NO. 917.253930

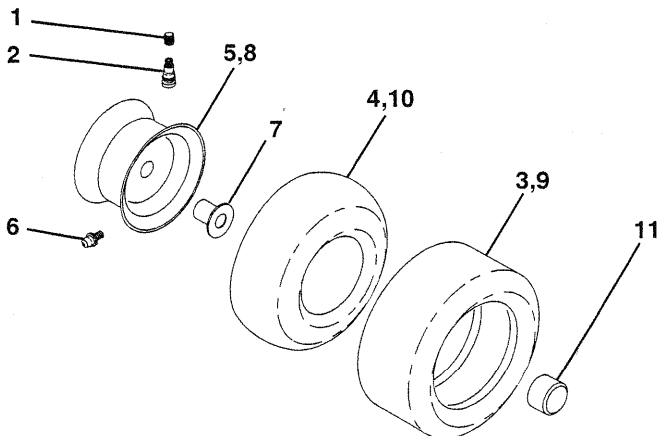
DECALS



KEY NO.	PART NO.	DESCRIPTION
1	145498	Decal Read Owner's Manual Sym
2	178756	Decal Hp Engine
3	178708	Decal Hood Rh
4	178709	Decal Hood Lh
5	178714	Decal Fend Auto
6	126187X	Decal 100 DBA
7	166960	Decal Bypass Fender
8	145437	Decal Europe Stand Ce
9	178710	Decal Fender
10	145005	Decal Bat Dan/Poi P/L Sym Wpn
11	145494	Decal Mower Cut Finger Symbol
12	159737	Decal Brake/Clutch Symbol Lt

KEY NO.	PART NO.	DESCRIPTION
13	166959	Decal Warn Back Plate CRD
14	159736	Decal Chassis Hot Muffler
15	166961	Decal Oper Bag Presence CRD
16	162598	Decal Drawbar Load Limit
17	140837	Decal Saddle Brake Parking
19	138047	Decal Battery Die Hard
21	166286	Decal Deck Sch 92 CRD
--	138311	Decal Lift Handle
--	133671	Pad, Footrest
--	178606	Manual Operator's (Euro)
--	178607	Manual Operator's (Scand)
--	178608	Manual Parts

WHEELS & TIRES



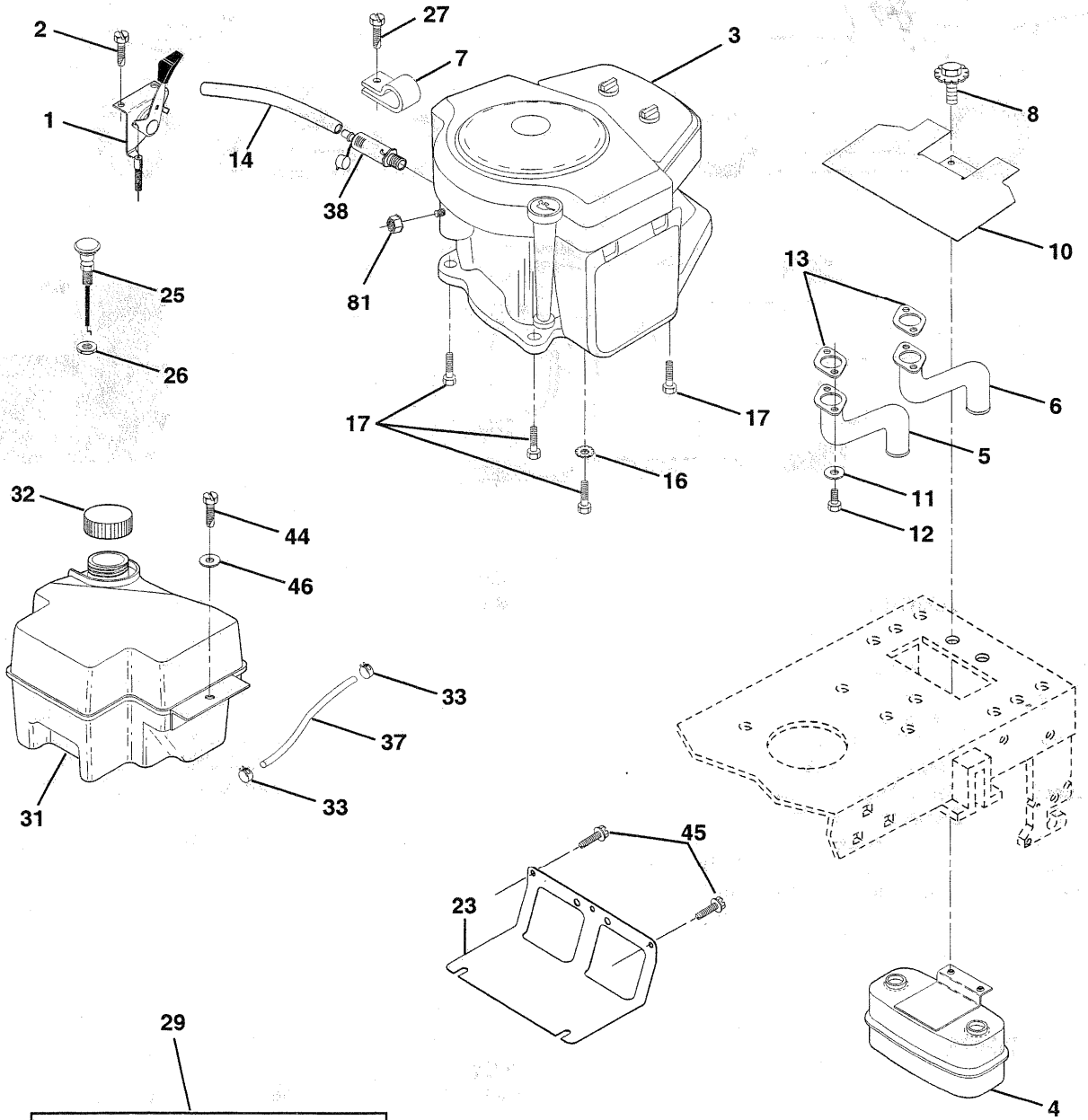
KEY NO.	PART NO.	DESCRIPTION
1	59192	Cap Value Tire
2	65139	Stem Value
3	106222X	Tire F Ts 15 X 6 0 - 6 Service
4	59904	Tube Inner Front #35060
5	106732X417	Rim Asm 6" front White Service
6	278H	Fitting Grease
7	9040H	Bearing Flange
8	106108X417	Rim Asm 8" rear White Service
9	122082X	Tire R Ts 20 x 10-8 Service
10	7152J	Tube Rear 9 5 X 8 Service
11	104757X428	Cap Axle Blk 1 50 X 1 00
--	144334	Sealant, Tire (10 oz. tube)

NOTE: All component dimensions given in U.S. inches
1 inch = 25.4 mm

REPAIR PARTS

TRACTOR- -MODEL NO. 917.253930

ENGINE



OPTIONAL EQUIPMENT
Spark Arrester

REPAIR PARTS

TRACTOR- -MODEL NO. 917.253930

ENGINE

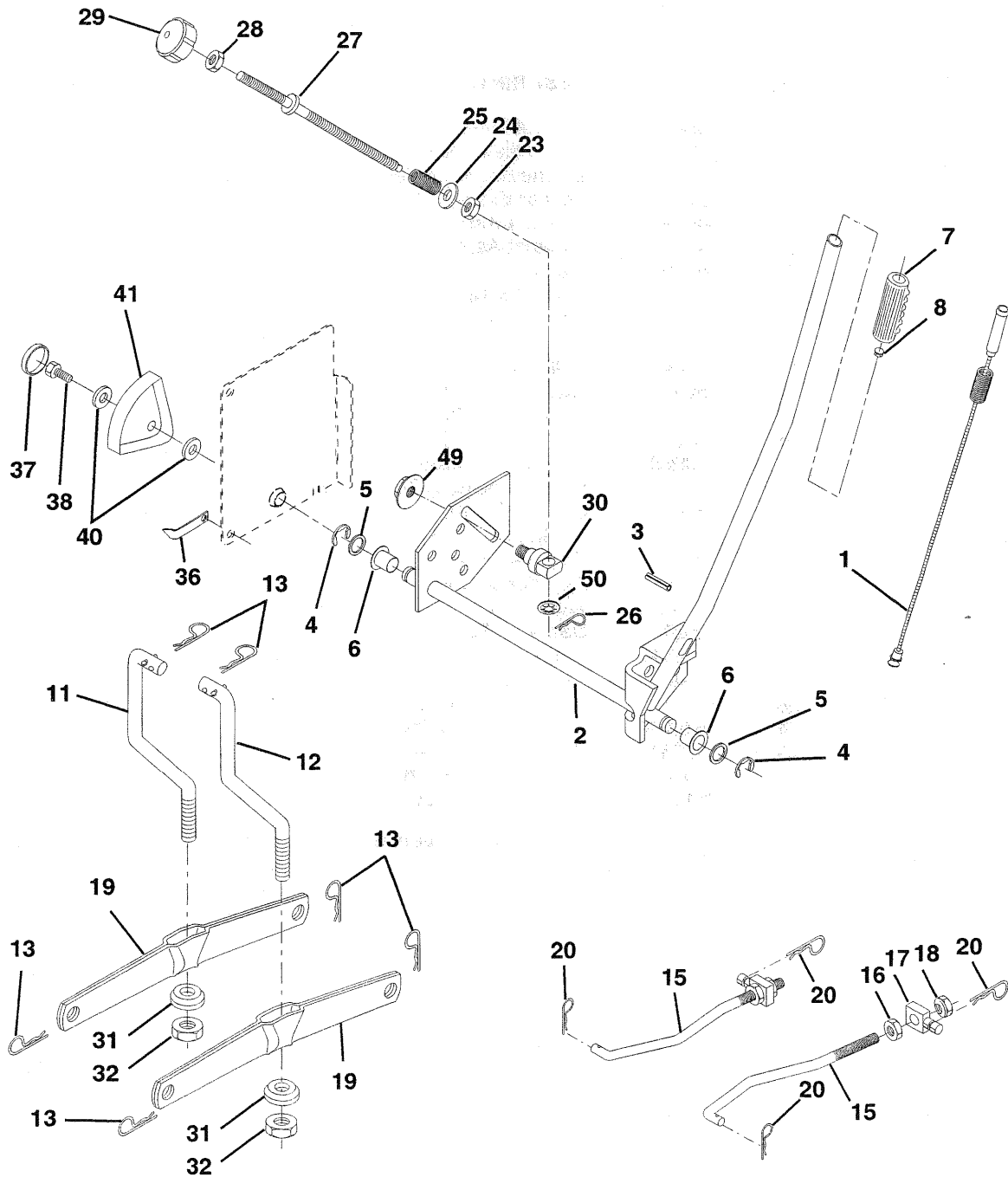
KEY NO.	PART NO.	DESCRIPTION
1	170547	Control Throt /Ch Lh
2	17720410	Screw Hex Thd Cut 1/4-20x5/8 T
3	-----	Engine Briggs Model 460707-2637-E3
4	149723	Muffler Exhaust B&S
5	144069	Exhaust Asm. LH
6	144068	Exhaust Asm. RH
7	138129	Clamp
8	171877	Bolt 5/16-18 x 3/4
10	145552	Shield Heat
11	10040400	Washer Lock 1/4
12	74780412	Bolt Fin Hex 1/4-20 x 3/4
13	165287	Gasket 1 313 Id Tin Plated
14	148456	Tube Drain Oil Easy
16	11050600	Washer Lock Ext Tooth 3/8
17	17490624	Screw Thdrol 3/8-16 x 1 1/2
23	169837	Shield Browning/Debris Guard
25	145996	Control Choke
26	73920600	Nut keps 3/8-24
27	152927	Screw #10-32
29	137180	Arrestor Spark
31	174642	Tank Fuel
32	140527	Cap Asm Fuel
33	123487X	Clamp Hose Blk
37	137040	Line Fuel 20"
38	148315	Plug Drain Oil Easy
44	17670412	Screw Hexwsh Thdrol 1/4-20x3/4
45	17000612	Srew 3/8-16 x 3/4
46	19091416	Washer 9/32 X 7/8 X 16ga
81	73510400	Nut Flange 1/4-20 Starter Nut

NOTE: All component dimensions given in U.S. inches
1 inch = 25.4 mm

REPAIR PARTS

TRACTOR- -MODEL NO. 917.253930

MOWER LIFT



REPAIR PARTS

TRACTOR- -MODEL NO. 917.253930

MOWER LIFT

KEY NO.	PART NO.	DESCRIPTION
1	159460	Washer Asm Inner Spring W/Plunger
2	159471	Shaft Asm. Lift
3	105767X	Pin Groove
4	12000002	E Ring #5133-62
5	19211621	Washer 21/32 x 1 x 21 Ga.
6	120183X	Bearing Nylon
7	125631X	Grip Handle Fluted
8	122365X	Button Plunger Black
11	165829	Link Asm Lift L.H.
12	165831	Link Asm Lift R.H.
13	4939M	Retainer Spring
15	173288	Link Front
16	73350800	Nut Jam Hex 1/2-13 Unc
17	130171	Trunnion Blk Zinc
18	73800800	Nut Lock W/wsh 1/2-13 Unc
19	139868	Arm Suspension Mower
20	163552	Retainer Spring
23	110807X	Nut Special
24	19131016	Washer 13/32 x 5/8 x 16 Ga.
25	2876H	Spring 2-1/8"
26	169484	Retainer Clip
27	126971X	Rod Adj Lift Zinc 7.49 Wrk Lg
28	73350600	Nut Hex Jam 3/8-16 Unc
29	138057	Knob Inf 3/8-16 Unc Blk w/sym
30	150233	Trunnion Infin Height
31	169865	Bearing, Pvt. Lift.
32	73540600	Nut Crownlock 3/8-24
36	155097	Pointer Height Indicator
37	123935X	Plug Hole Blk 1.485/1.515 Dia
38	17060516	Screw 5/16-18 x 1
40	19112410	Washer 11/32 x 1-1/2 x 10 Ga.
41	123934X	Scale Ind Height Blk
49	145212	Nut hex Flange Lock
50	110452X	Nut Push Phos & Oil

NOTE: All component dimensions given in U.S. inches
1 inch = 25.4 mm

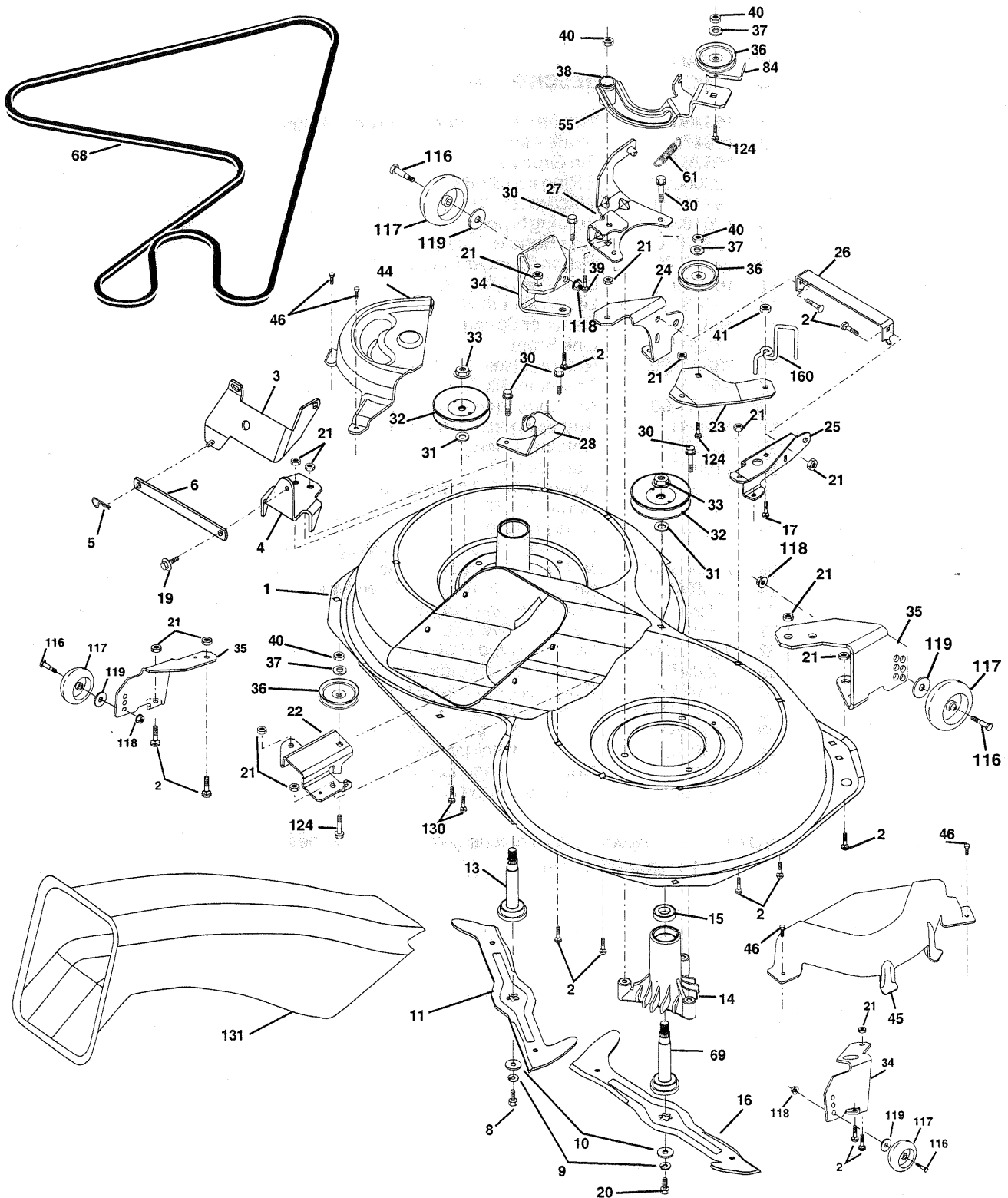
REPAIR PARTS

TRACTOR- -MODEL NO. 917.253930

MOWER

REPAIR PARTS

TRACTOR



REPAIR PARTS

TRACTOR- -MODEL NO. 917.253930

MOWER

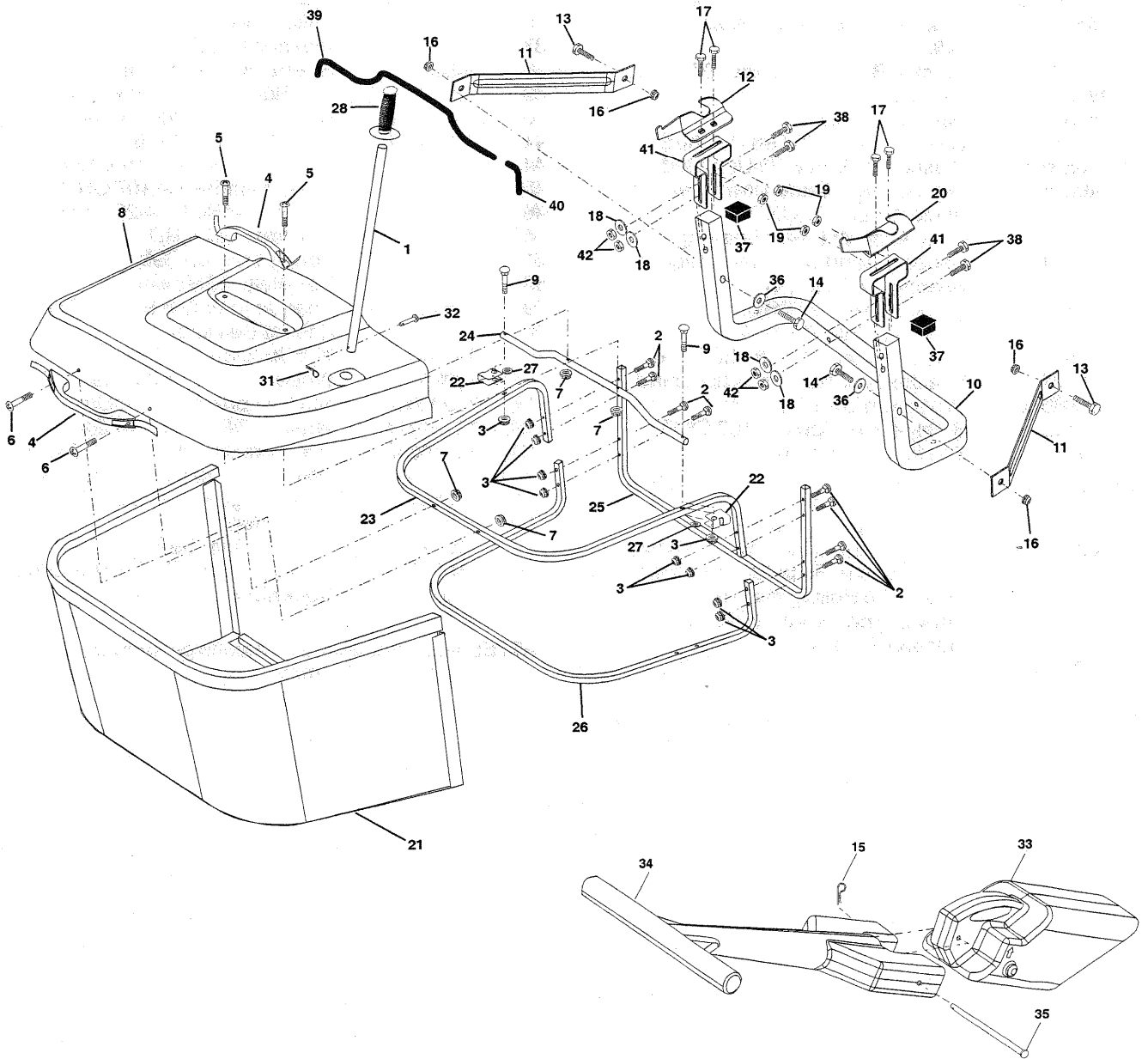
KEY NO.	PART NO.	DESCRIPTION	KEY NO.	PART NO.	DESCRIPTION
1	169160X417	Housing Asm. Mower 107 CRD	34	176291X417	Bracket Gauge Wheel Lf 107 CRD
2	72140506	Bolt Rdhd Sqnk 5/16-18 Unc x 3/4	35	176292X417	Bracket Gauge Wheel Rf 107 CRD
3	165569	Bracket Asm. S-Bar Chass 107 CRD	36	173902	Pulley Idler V-Groove Dim 4.25
4	169167	Bracket Bar Sway Deck 107 CRD	37	19131316	Washer 11/32 x 13/16 x 16 Ga
5	4939M	Retainer Spring	38	169851	Spacer Hub Arm Idler
6	165557	Bar Sway CRD	39	72110622	Bolt Rdhd 3/8-16unc x 2-3/4
8	850857	Bolt 3/8-24 x 1.25 Gr8 Patched	40	73680600	Nut Crownlock 3/8-16 Unc
9	10030600	Washer Lock Hvy 3/8 Unplated	41	73900600	Nut Lock Flg. 3/8-16
10	140296	Washer Hard Blade Mower vented	44	169180	Cover Mandrel Lh 107 CRD
11	175450	Blade 3-1 Lh 107 CRD	45	169179	Cover Mandrel Rh 107 CRD
13	137645	Shaft Asm. W/Lower Bearing	46	137729	Screw Thd Roll 1/4-20 x 5/8
14	128774	Housing Mandrel Vented (Machd)	55	169849	Arm Idler 107 CRD
15	110485X	Bearing Ball Mandrel	61	175159	Spring Tension Belt
16	175451	Blade 3-1 Rh 107 CRD	68	169178	Hex-Belt 107 Mower
17	72140610	Bolt Carr. 3/8-16 x 1-1/4	69	165482	Shaft Asm W/Lwr Brg Rh Thd CRD
19	132827	Bolt Shoulder 5/16-18 Thd Form	84	173968	Keeper Belt Idler
20	165484	Bolt 3/8-24 x 1.25 Gr8 Ptch Lhthd	116	137644	Bolt Shoulder
21	73680500	Nut Crown Lock 5/16-18	117	133957	Wheel Gage Donut Wide
22	169165	Bracket Idler Sprt RR 107 CRD	118	73930600	Nut Centerlock 3/8-16 Unc
23	169166	Bracket Idler Sprt RF 107 CRD	119	19121414	Washer 3/8 x 7/8 x 14 Ga.
24	169170	Bracket Suspension LF 107 CRD	124	72110612	Bolt Carr Sh 3/8-16 x 1-1/2 Gr5
25	169171	Bracket Suspension RF 107 CRD	130	72110506	Bolt Rdhdsqnk 5/16-18 Unc x 3/4
26	165237	Brace Support Susp Frt CRD	131	165661	Chute Bagger CRD 92cm
27	169172	Bracket Asm. Susp RR 107 CRD	160	175160	Guide Belt
28	169168	Bracket Asm. Susp LR 107 CRD	-	130794	Mandrel Asm Service
30	157722	Screw Thd Rolling Washer Head	-	165579	Mandrel Asm CRD Lh Threads SVC
31	129963	Washer Spacer Mower Vented	-	175842	Deck Mower Complete
32	175707	Mandrel Pulleys			
33	137266	Nut Flg Top Lock Cntr B 9/16			

NOTE: All component dimensions given in U.S. inches
1 inch = 25.4 mm

REPAIR PARTS

TRACTOR- -MODEL NO. 917.253930

BAGGER



REPAIR PARTS

TRACTOR- -MODEL NO. 917.253930

BAGGER

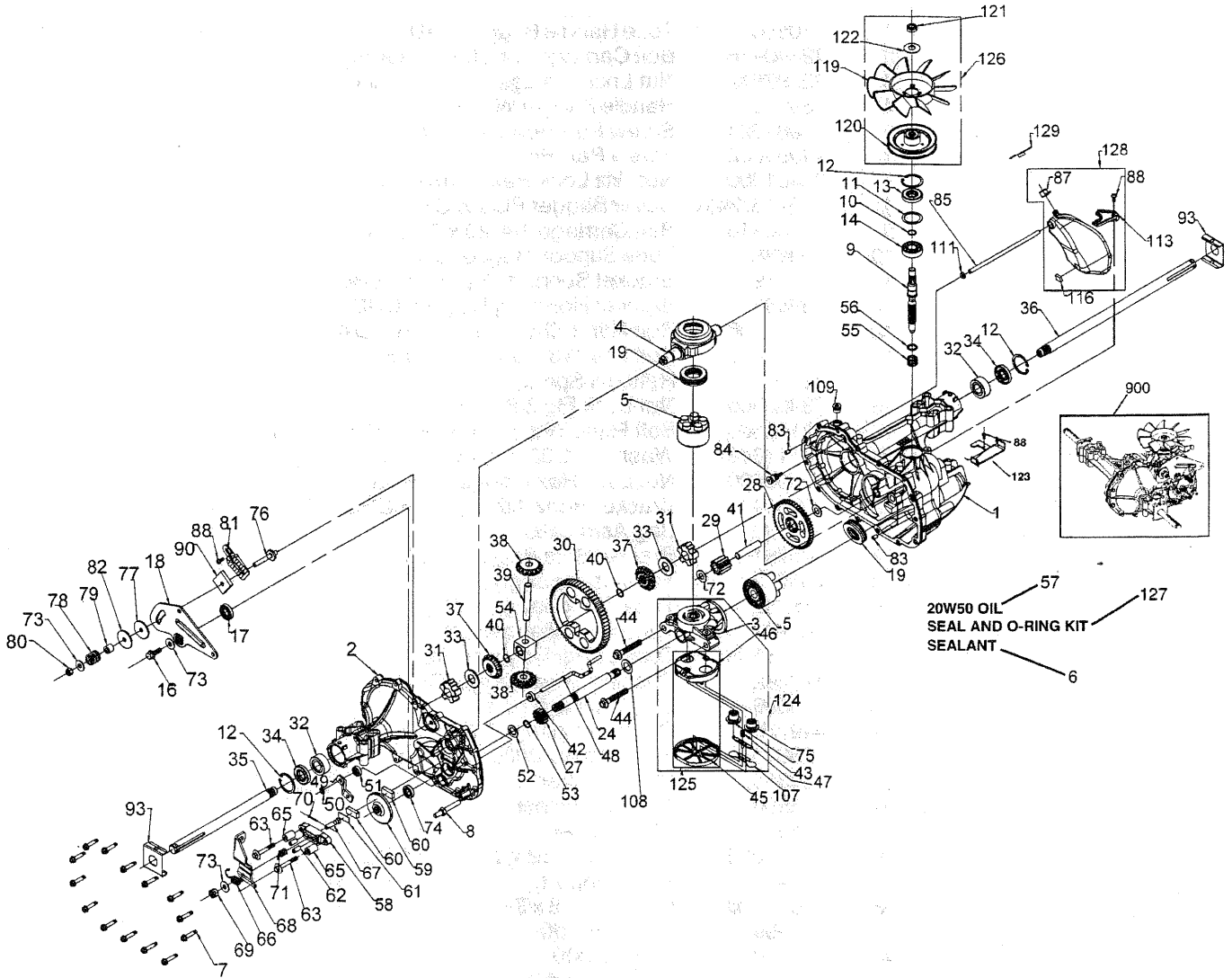
KEY NO.	PART NO.	DESCRIPTION
1	170690	Tube Handle Bagger CRD
2	72140416	Bolt Carriage 1/4-20 x 2.0 Gr.5
3	123976X	Nut Lock 1/4 Lge Flg Gr. 5 Zinc
4	169916	Handle Bagger W/Lvrs
5	74981024	Screw Pan Head #10-24 x 1.50 Blk
6	74981032	Screw Pan Hd
7	73401000	Nut Wiz Lock Hex Serr/Hd 10-24
8	165715X428	Cover Bagger Plastic CRD
9	72140418	Bolt Carriage 1/4-20 x 2.25d x Gr.5
10	169688	Tube Support Bagger CRD
11	165719	Bracket Support Upper Bag CRD
12	169685	Bracket Horiz Adj Bggr Lh CRD
13	72110606	Bolt Rdhd Sht Sqnk 3/8-16 x 3/4
14	74520640	Bolt Hex 3/8-16 x 2-1/2 Gr.5
15	493M	Retainer Spring
16	73900600	Nut Lock Flg 3/8-16 Unc
17	72140506	Bolt Rdhd Sht Sqnk 5/16 -18 Unc x 3/4
18	19111216	Washer 11/32 x 3/4 x 16 Ga.
19	73900500	Nut Lock Hex Flange 5/16-18
20	169684	Bracket Horiz Adj Bggr RH CRD
21	165780	Bag Asm CRD
22	165781	Bracket Side Bagger CRD
23	165782	Tube Upper Bagger CRD
24	165783	Tube Pivot Bagger CRD
25	165784	Tube Front Bagger CRD
26	165785	Tube Lower Bagger CRD
27	169692	Bushing Snap Bagger CRD
28	170696	Grip Handle Black
31	4497H	Retainer Spring 1" Zinc/Cad
32	126875X	Rivet Rd Hd Drilled 3/8 Dia
33	169380	Plug Mulcher
34	165570	Handle Mulcher
35	165572	Pin Mulcher
36	19132016	Washer 13/32 x 1-1/4 x 16 Ga.
37	175401	Plug Support
38	72010520	Bolt 5/16-18 x 2-1/2
39	169999	Seal 2.16600
40	170000	Seal .58300
41	169683	Bracket Vert Adj Bagger CRD
42	73800500	Nut Lock Hex W/Ins 5/16-18 Unc Pl

NOTE: All component dimensions given in U.S. inches
1 inch = 25.4 mm

REPAIR PARTS

TRACTOR - - MODEL NUMBER 917.253930

HYDRO GEAR TRANSAXLE - MODEL NUMBER 321-0510



REPAIR PARTS

TRACTOR - - MODEL NUMBER 917.253930

HYDRO GEAR TRANSAXLE - MODEL NUMBER 321-0510

KEY PART NO.	NO.	DESCRIPTION	KEY NO.	PART NO.	DESCRIPTION
1	170351	Main Housing, Assembly	60	142883	Brake Puck
2	170352	Side Housing, Assembly	61	142882	Puck Plate
3	170353	Center Section, Assembly	62	142887	Brake Actuating Pin
4	170354	Swashplate, Trunion Machined	63	170410	HFHCS 1/4-20X2 W/Patch, Special Flange
5	169898	Block - Assembly	64	142892	Bolt, 1/4-20 X 1 W/Patch
6	170355	Sealant	65	170411	Spacer
7	170356	Hex Flange Screw 1/4-20 X 1.25	66	170412	Spring, Brake Arm Bias
8	170357	Stud, 5/16-24 Hex Double End	67	170413	SQ. HD. BOLT 5/16-24-Ribbed
9	170358	Shaft, Input	68	178157	Arm, Brake
10	170359	Ring - Retaining	69	170415	Slotted Hex Nut 5/16-24
11	170360	Spacer	70	170416	Cotter Pin 3/32 X 3/4
12	169870	Ring - Retaining	71	170417	Compression Spring Brake Anti-Drag
13	170361	Seal, Lip .67 X 1.58 X .276	72	170418	Washer, HT .5 I.D. X 1 O.D. X .032
14	173158	Ball Brg 17MM ID X 40MM OD X 12MM	73	142884	Flat - Washer 11/32 I.D. X 7/8 O.D.
16	170362	Hex Flange Head Screw 5/16-24 X 0.75	74	170419	Oil Seal .625 X 1.0 X .25
17	170363	Lip Seal 18 X 32 X 7	75	170420	Check Plug Assembly, .027, Washer
18	170364	Arm, Control	76	170421	Stud, 5/16-24 Friction Pack
19	173159	Bearing, 30X52X13 Thrust	77	170422	Puck, .330 X 1.50 X .0975
23	170365	Check Plug Assembly, Washer	78	142969	Spring, Helicl Comp
24	170366	Shaft, Motor1	79	142980	Spacer
27	170367	Gear - Pinion, 13T	80	150778	Hex Lock Nut 5/16-24 UNJF(Nylon Insert)
28	170368	10T/48T GEAR	81	170423	Wedge, Friction Pack
29	170369	Gear, 10T Jackshaft	82	170424	Clip, Washer.316X1.50X.1046 (Plated)
30	170370	60T Bull Gear	83	161168	Pin, Standard Headless
31	170371	Sleeve Bearing .75 X 1.575 X .625	84	170425	Fitting, 5/16 Sae 5/32 Tube
32	170389	Sleeve Bearing (Outboard).75X1.750X.625	85	170426	Hose, Expansion Tank
33	142991	Washer, 3/4 ID X 1-1/2 OD X .13 THK	87	173160	Cap, Vent
34	170390	Lip Seal Axle Seal	88	170429	Bolt, Self Tapping 10-32 X 1/2
35	170391	Shaft, Axle .75 X 11.39 (Key, R.H.)	90	170430	Puck, Inner Wedge
36	170392	Shaft, Axle .75 X 16.99 (Key, L.H.)	93	170431	Spring Clip - Housing Thrust
37	150792	Miter Gear (SPLINED)	107	170432	Deflector
38	150793	Miter Gear 15T (0.5 ID)	108	170433	Washer, Motorshaft .71ID X 1.15OD X .030THK
39	150809	Shaft	109	170434	Plug, Sae #6
40	170393	Ring, Spiral Retaining	111	170435	O-ring .07 x .301 I.D.
41	170394	Pin, Jackshaft	113	170437	Bracket, Support Expansion Tank
42	170395	Magnet, Rling	116	170438	Silicon Sponge
43	170396	Spring, Bypass	119	170439	Fan
44	150797	Hydro mtg Screw 3/8-24 X 2.5 Long	120	178159	Pulley
45	170397	Filter	121	170441	Hex Lock Nut 1/2-20
46	170398	Base, Filter	122	170442	Washer Belleville
47	170399	Actuator, Bypass	123	178160	Bracket Belt Keeper
48	170400	Rod, Bypass Actuator	124	170444	Center Section-Filter-Bypass Assembly
49	178156	Arm, Bypass	125	170445	Filter Assembly
50	170402	Retaining Ring .250 External	126	178417	Fan - Pulley Service Aassembly
51	170403	Seal, Lip .741 X .250 X .250 TC	127	170447	Seal - O-ring Kit
52	170404	Flat Washer, 5/8 ID X 1.0 OD X .05 THK	128	173165	Kit, Expansion Tank
53	170405	Retaining Ring	900	171613	Transaxle, complete
54	170406	Bearing, Center Block			
55	142977	Spring - Helical Compression			
56	142978	Washer			
57	150798	20W-50 OIL 72.8 oz			
58	170407	Brake Yoke			
59	170408	Rotor, Brake			

NOTE: All component dimensions given in U.S. inches 1 inch = 25.4 mm