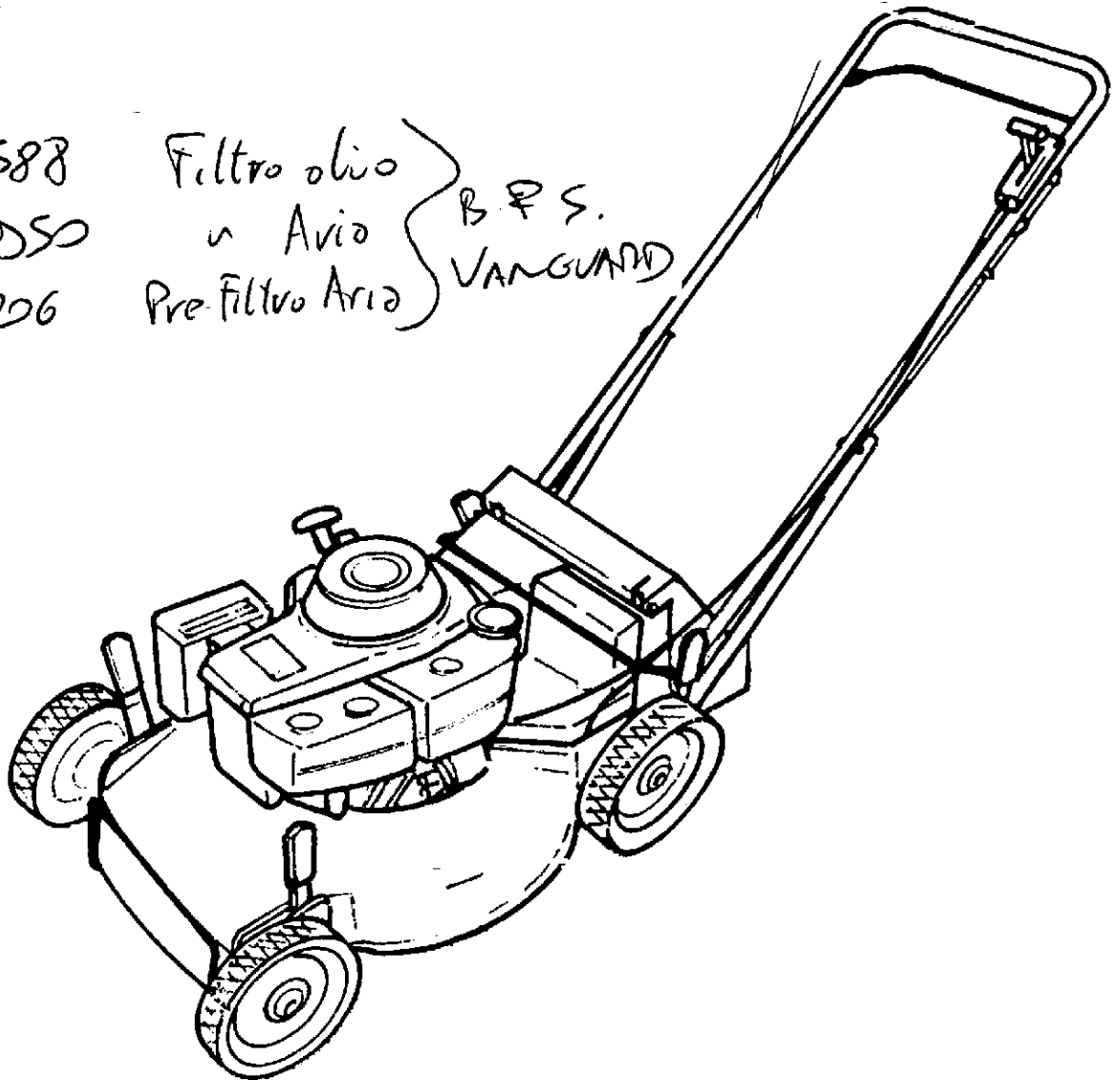


LISTA RICAMBI
SPARE PART LIST
ERSATZTEILLISTE
LISTE DES PIECES DE RECHANGE

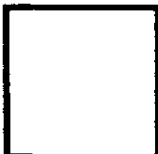
491588 Filtro olio }
491950 " Avio } B.F.S.
493206 Pre-Filtro Aria } VANGUARD




with
P50022
010710

5318

530 GARDEN PRO



| REF. N° | PART. N° | QTY | DESCRIZIONE | DESCRIPTION | DESCRIPTION | BESCHREIBUNG |
|---------|----------|-----|---------------------|--------------------|---------------|---------------------|
| 1 | P5140004 | 1 | DECALCO | LABEL | MARQUAGE | AUFKLEBER |
| 2 | P5140503 | 1 | DECALCO | LABEL | MARQUAGE | AUFKLEBER |
| . | P5110012 | 1 | CHIAVE CANDELA 16 | KEY 16 | CLEF 16 | SCHLUESSEL 16 |
| . | P2020138 | 1 | TARGHETTA IBEA | IBEA PLAQUE | IBEA PLAQUE | IBEA AUFKLEBER |
| . | P5110013 | 1 | CHIAVE x LIMITATORE | KEY | CLEF | SCHLUESSEL |
| . | P5090053 | 1 | MANUALE ISTRUZIONI | INSTRUCTION MANUAL | MODE D'EMPLOI | BEDIENUNGSANLEITUNG |



**WARNING
DANGER!**

Blede rotates when engine is running. Only use the mower with grass catcher in place or with safety chute door closed. Disconnect high tension wire from spark plug before performing any repairs or maintenance to the machine.

**ATTENZIONE
PERICOLO!**

La lama gira quando il motore è in moto. Usate il tosaerba soltanto con il sacco di raccolta montato oppure con il portello di sicurezza chiuso. Prima di ogni riparazione o manutenzione staccate il cavo di accensione dalla candela.

**VORSICHT,
GEFAHR!**

Rotierende Messer bei laufendem Motor! Benutzen Sie den Mäher nur mit montiertem Grassammler oder geschlossener Schutzklappe. Vor Reparatur- oder Servicearbeiten am Mäher unbedingt Zündkabel von Zündkerze entfernen!

**ATTENTION
DANGER!**

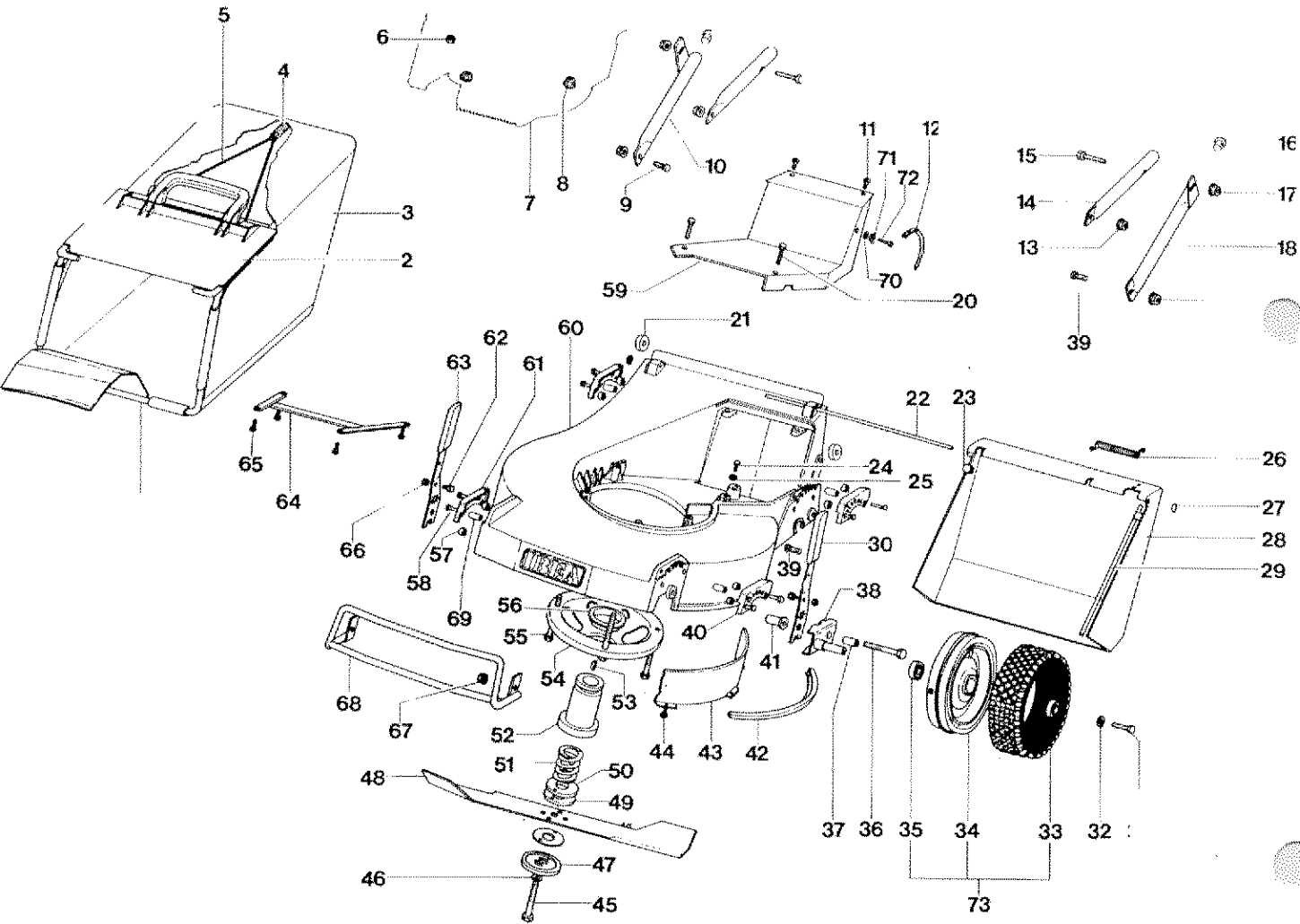
Couteaux en rotation lorsque le moteur marche! N'utilisez le tondeuse qu'avec le collecteur d'herbe monté ou avec le clapet de protection fermé. Avant de faire une réparation ou des travaux de service à la tondeuse il faut absolument enlever le câble d'allumage de la bougie.

8

530

GARDEN-PRO

Vista generale
 Complete machine
 Vue d'ensemble
 Gesamtansicht



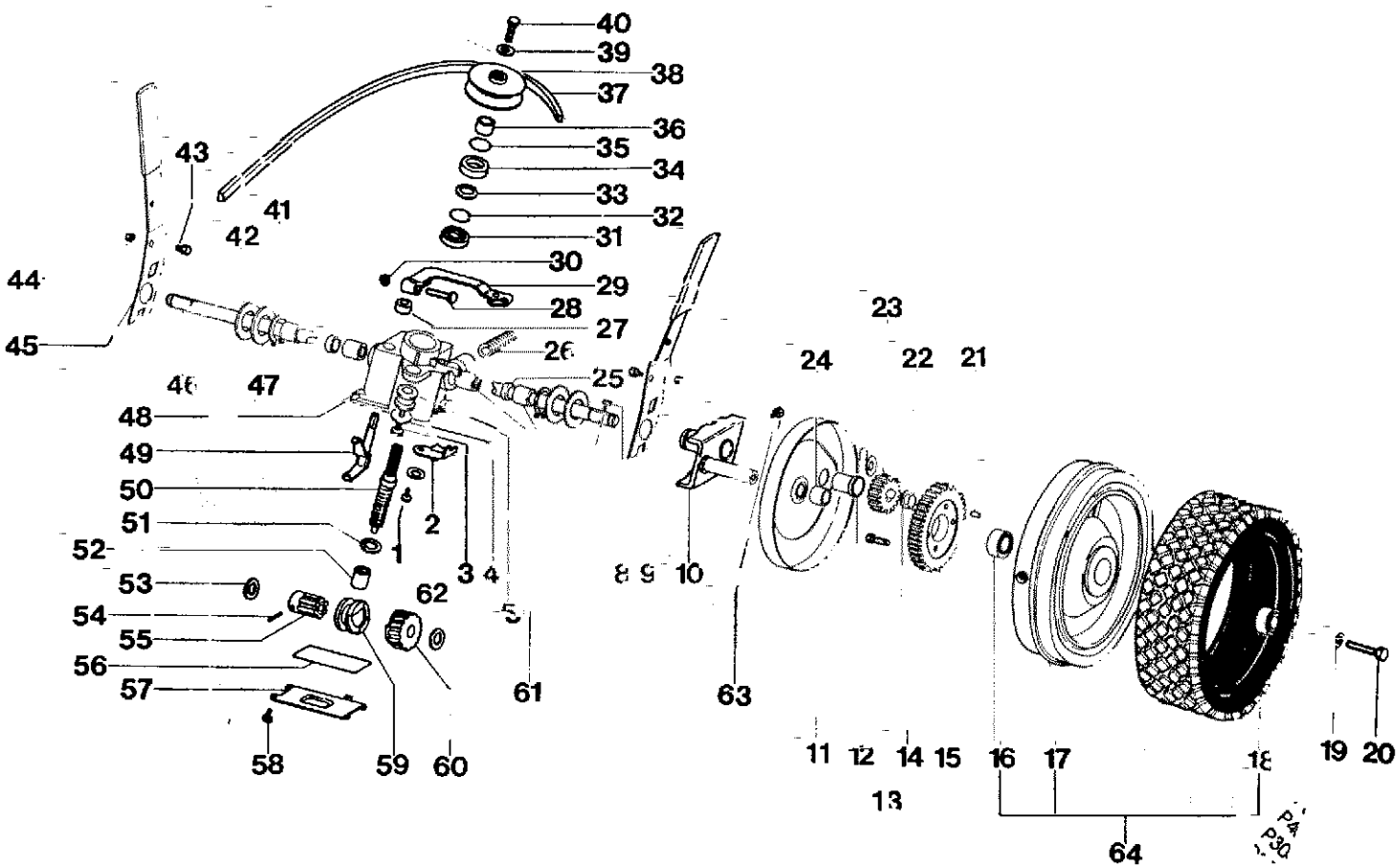
| REF. N° | PART. N° | QTY | DESCRIZIONE | DESCRIPTION | DESCRIPTION | BESCHREIBUNG |
|---------|-----------|-----|-----------------------------|--------------------|------------------------------|-----------------------|
| 1 | P1010076 | | VITE | SCREW | VIS | SCHRAUBE |
| 2 | P4030010 | | COPERCHIO MOLLA | SPRING COVER | COUVERCLE | FEDERHALTER |
| 3 | P1010073 | 1 | VITE | SCREW | VIS | SCHRAUBE |
| 4 | P1020054 | 1 | RONDELLA | WASHER | RONDELLE | SCHEIBE |
| 5 | P2040010 | 1 | GOMMINO | RUBBER TUBE | TUBE DE PROTECTION | SCHUTZHUELLE |
| 6 | 3030003A1 | 2 | CUSCINETTO | BEARING | PALIER | LAGER |
| 7 | P3020019 | 2 | MOLLA | SPRING | RESSORT | FEDER |
| 8 | P1090005 | 2 | LINGUETTA | KEY | CLAVETTE | SCHEIBENFEDER |
| 9 | P00046352 | | LEVA | LEVER | LEVIER | HEBEL |
| 10 | P4020122 | 2 | PORTA RUOTA | WHEEL SUPPORT | SUPPORT POUR ROUE | RADHALTER |
| 11 | P01084952 | 2 | COPRI RUOTA | WHEEL COVER | COUVERCLE | RADABDECKUNG |
| 12 | P2020070 | 2 | BUSSOLA | BUSHING | DOUILLE | BUECHSE |
| 13 | P1010121 | 4 | VITE | SCREW | VIS | SCHRAUBE |
| 14 | 1020020A1 | 2 | RONDELLA | WASHER | RONDELLE | SCHEIBE |
| 15 | P3050033 | 2 | RUOTA DENTATA | GEAR | ROUE DENTÉE | RAD |
| 16 | P3030018 | 4 | CUSCINETTO | BEARING | PALIER | LAGER |
| 17 | P01015252 | 2 | CERCHIONE | WHEEL HUB | JANTE | FELGE |
| 18 | P2020146 | 2 | COPERTONE | TYRE | PNEU | REIFEN |
| 19 | 1020009A1 | 2 | RONDELLA | WASHER | RONDELLE | SCHEIBE |
| 20 | P1010119 | 2 | VITE | SCREW | VIS | SCHRAUBE |
| 21 | P1080010 | 4 | SPINA | PIN | GOUPILLE | STIFT |
| 22 | 1070001A1 | 4 | SEEGER | CIRCLIP | SEEGER | SEEGER |
| 23 | P3050034 | 2 | PIGNONE | PINION | PIGNON | RITZEL |
| 24 | P3040120 | 2 | DISTANZIALE | SPACER | DOUILLE | ABSTANDSSTUECK |
| 25 | P3170011 | 2 | PARAOLIO | OIL SEAL | JOINT D'ARBRE | WELLENDICHRING |
| 26 | P3020010 | 1 | MOLLA | SPRING | RESSORT | FEDER |
| 27 | P3170012 | 1 | PARAOLIO | OIL SEAL | JOINT D'ARBRE | WELLENDICHRING |
| 28 | P1010075 | 1 | VITE | SCREW | VIS | SCHRAUBE |
| 29 | P4070011 | | LEVA | LEVER | LEVIER | HEBEL |
| 30 | 1050003A1 | 1 | DADO | NUT | ECROU | MUTTER |
| 31 | P3030010 | 1 | CUSCINETTO | BEARING | PALIER | LAGER |
| 32 | P1070004 | | SEEGER | CIRCLIP | SEEGER | SEEGER |
| 33 | P1020051 | 1 | SPESSORE | WASHER | RONDELLE | SCHEIBE |
| 34 | P3170010 | 1 | PARAOLIO | OIL SEAL | JOINT D'ARBRE | WELLENDICHRING |
| 35 | P3170013 | 1 | OR | O RING | JOINT TORIQUE | GUMMIRING |
| 36 | P3040049 | 1 | DISTANZIALE | SPACER | DOUILLE | ABSTANDSSTUECK |
| 37 | P3010020 | 1 | CINGHIA | BELT | COURROIE | RIEMEN |
| 38 | P3040122 | 1 | PULEGGIA | PULLEY | POULIE | RIEMENSCHLEIBE |
| 39 | 1020007A1 | 1 | RONDELLA | WASHER | RONDELLE | SCHEIBE |
| 40 | 1010018A1 | 1 | VITE | SCREW | VIS | SCHRAUBE |
| 41 | P1070011 | 2 | SEEGER | CIRCLIP | SEEGER | SEEGER |
| 42 | P3040121 | 2 | DISTANZIALE | SPACER | DOUILLE | ABSTANDSSTUECK |
| 43 | P3040199 | 2 | PERNO | BOLT | BOULON | STIFT |
| 44 | 1050002A1 | 2 | DADO | NUT | ECROU | MUTTER |
| 45 | P00046552 | | LEVA | LEVER | LEVIER | HEBEL |
| 46 | P3040127 | 1 | ALBERO DI TRASMISSIONE | TRANSMISSION SHAFT | ARBRE DE TRANSMISSION | WELLE |
| 47 | P1020057 | 2 | DISTANZIALE | SPACER | DOUILLE | ABSTANDSSTUECK |
| 48 | P00039052 | | SCATOLA RIDUTTORE | GEAR BOX | BOITE DE RÉDUCTEUR | UNTERSETZUNGSGETRIEBE |
| 49 | P3040041 | | FORCELLA | FORK | FOURCHE | GABEL |
| 50 | P3040114 | | VITE SENZA FINE | WORM GEAR | VIS S. FIN | SCHNECKE |
| 51 | P1020053 | | SPESSORE | WASHER | RONDELLE | SCHEIBE |
| 52 | P3030019 | 1 | CUSCINETTO | BEARING | PALIER | LAGER |
| 53 | 1020020A1 | 2 | SPESSORE | WASHER | RONDELLE | SCHEIBE |
| 54 | P1080013 | | SPINA | PIN | GOUPILLE | STIFT |
| 55 | P00065452 | 1 | BUSSOLA SCANALATA | BUSHING | DOUILLE CANNELÉE | KEILHUELSE |
| 56 | P3170014 | 1 | OR | O RING | JOINT TORIQUE | GUMMIRING |
| 57 | P4110001 | 1 | COPERCHIO | COVER | COUVERCLE | DECKEL |
| 58 | P1010076 | 4 | VITE | SCREW | VIS | SCHRAUBE |
| 59 | P00037952 | | INNESTO | SELECTOR COLLAR | MANCHON | SCHALTBUECHSE |
| 60 | P00038252 | 1 | RUOTA ELICOIDALE | HELICOIDAL WHEEL | ROUE HELICOIDALE | SCHNECKENRAD |
| 61 | P3030020 | 2 | CUSCINETTO | BEARING | PALIER | LAGER |
| 62 | P1020076 | | RONDELLA | WASHER | RONDELLE | SCHEIBE |
| 63 | P1010143 | 2 | INGRASSATORE | OILER | GRAISSEUR | FETTBUECHSE |
| 64 | P00015752 | 2 | RUOTA COMPLETA | WHEEL ASSY. | ROUE COMPL. | RAD KOMPL. |
| 65 | P00078252 | 1 | SCATOLA RIDUTTORE COMPL. | GEAR BOX ASSY. | BOITE DE RÉDUCTEUR COMPL. | UNTERSETZUNGSGETRIEBE |

Vista assale posteriore e riduttore

Rear axle and gear box

Essieu arrière et transmission

Hinterachse und Fahrtrieb

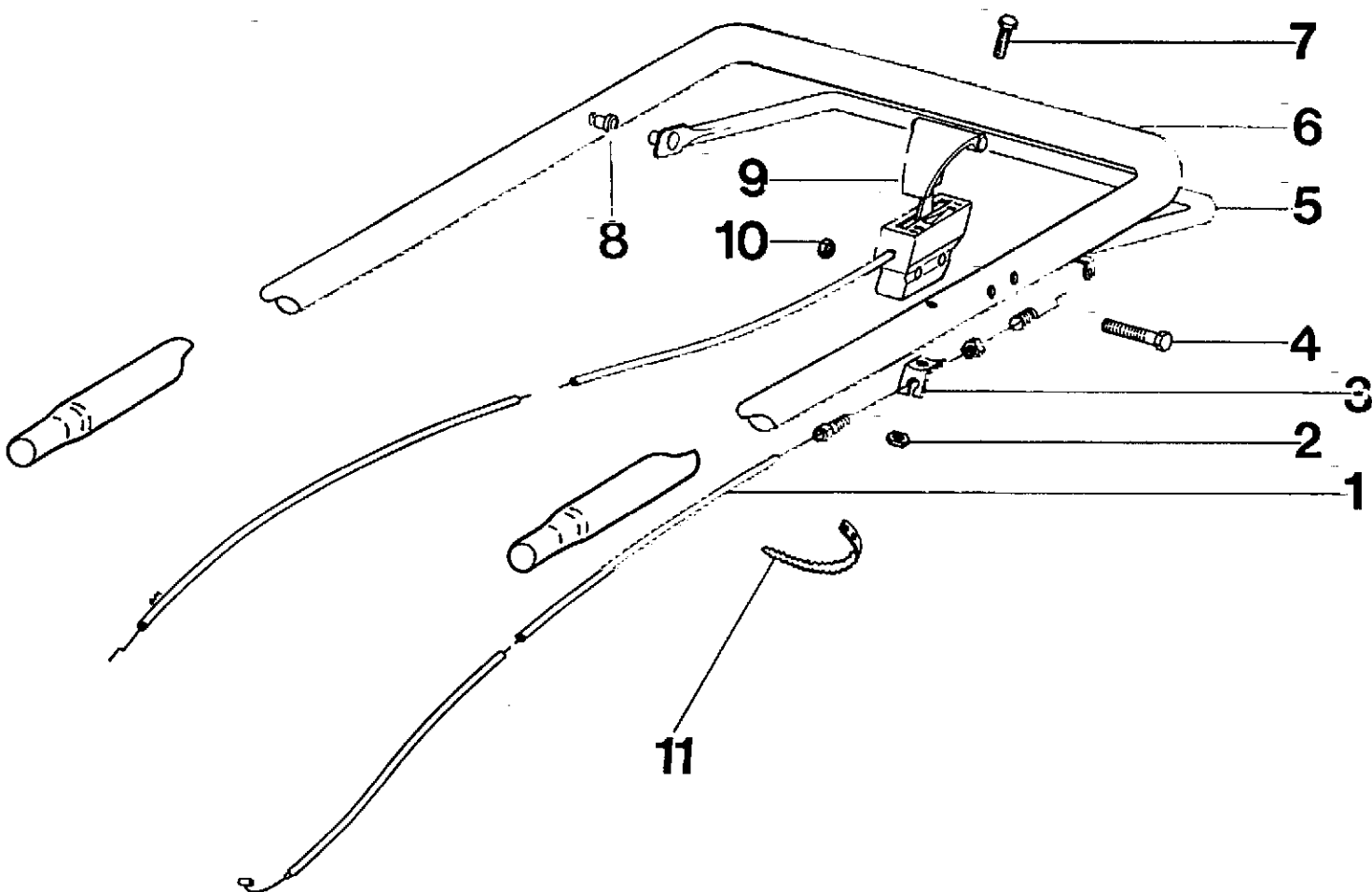


Vista segola superiore e comandi

Upper handle and controls

Mancheron partie supérieure et éléments de commande

Holmoberteil und Bedienungselemente



| REF. N° | PART. N° | QTY | DESCRIZIONE | DESCRIPTION | DESCRIPTION | BESCHREIBUNG |
|---------|-----------|-----|--------------------------------|------------------------------|----------------------|------------------|
| 1 | P5010019 | 1 | CAVO TRAZIONE | TRACTION CABLE | CABLE DE TRACTION | ANTRIEBSKABEL |
| 2 | 1050003A1 | 2 | DADO | NUT | ECROU | MUTTER |
| 3 | P4010060 | 1 | PIASTRINA | PLATE | PLAQUE | PLATTE |
| 4 | P1010126 | 2 | VITE | SCREW | VIS | SCHRAUBE |
| 5 | P02042052 | 1 | MANIGLIA TRAZIONE | TRACTION LEVER | LEVIER DE TRACTION | ANTRIEBSHEBEL |
| 6 | P02070152 | 1 | STEGOLA SUP. | UPPER HANDLEBAR | GUIDON SUP. | OB. FUHRUNGSHOLM |
| 7 | P1010102 | 1 | VITE | SCREW | VIS | SCHRAUBE |
| 8 | P3040123 | 2 | BUSSOLA | BUSHING | DOUILLE | BUECHSE |
| 9 | P5020036 | 1 | SCATOLA + CAVO ACCELERATORE | GEAR BOX + THROTTLE CABLE | BOITE + CABLE DE GAZ | GASHEBEL |
| 10 | 1050003A1 | 2 | DADO | NUT | ECROU | MUTTER |
| 11 | 5040001A1 | 2 | FASCETTA | CLAMP | BRIDE | RAPPBAND |

| REF. N° | PART N° | QTY | DESCRIZIONE | DESCRIPTION | DESCRIPTION | BESCHREIBUNG |
|---------|-----------|----------|------------------------------|-------------------------------|-----------------------------|---------------------|
| 1 | P00011276 | 1 | TELAIO | BAG FRAME | MONTURE | GESTELL |
| 2 | P2020149 | 1 | DEFLETTORE | SHIELD | DÉFLECTEUR | SCHUTZ |
| 3 | P3160034 | 1 | SACCO | BAG | SAC RAMASSE GAZON | GRASFANGSACK |
| 4 | P3020014 | 1 | MOLLA | SPRING | RESSORT | FEDER |
| 5 | P6050003 | 1 | CAVO | CABLE | CABLE | KABEL |
| 6 | P1050013 | 1 | DADO | NUT | ECROU | MUTTER |
| 7 | | 1 | MOTORE | ENGINE | MOTEUR | MOTOR |
| 8 | P1050011 | 2 | DADO | NUT | ECROU | MUTTER |
| 9 | P1010064 | 1 | VITE | SCREW | VIS | SCHRAUBE |
| 10 | P02070652 | | TUBO RINFORZO STEGOLA DX | RIGHT HANDLE REINFORCEMENT | TUBE RENFORCEMENT DROITE | VERSTAERKUNG R. |
| 11 | P1010070 | 2 | VITE | SCREW | VIS | SCHRAUBE |
| 12 | 5040001A1 | 1 | FASCETTA | CLAMP | BRIDE | RAPPBAND |
| 13 | P1050011 | 2 | DADO | NUT | ECROU | MUTTER |
| 14 | P02070252 | 2 | STEGOLA INF. | LOWER HANDLEBAR | GUIDON INF. | HOLMUNTERTEIL |
| 15 | P1010120 | 2 | VITE | SCREW | VIS | SCHRAUBE |
| 16 | P2020142 | 2 | TAPPO | TAP | BOUCHON | STOPFEN |
| 17 | P1050011 | 2 | DADO | NUT | ECROU | MUTTER |
| 18 | P02070752 | 1 | TUBO RINFORZO STEGOLA SX. | LEFT HANDLE REINFORCEMENT | TUBE RENFORCEMENT GAUCHE | VERSTAERKUNG L. |
| 19 | P1050011 | 2 | DADO | NUT | ECROU | MUTTER |
| 20 | P1010082 | 2 | VITE | SCREW | VIS | SCHRAUBE |
| 21 | P3040145 | 2 | DISTANZIALE | SPACER | DOUILLE | ABSTANDSSTUECK |
| 22 | P01027076 | 1 | ASTINA | SHAFT | ARBRE | ACHSE |
| 23 | P3040074 | 2 | DISTANZIALE | SPACER | DOUILLE | ABSTANDSSTUECK |
| 24 | P1010081 | 1 | VITE | SCREW | VIS | SCHRAUBE |
| 25 | 1020007A1 | 1 | RONDELLA | WASHER | RONDELLE | SCHEIBE |
| 26 | P3020011 | 1 | MOLLA | SPRING | RESSORT | FEDER |
| 27 | P1060004 | 2 | STARLOCK | STARLOCK | STARLOCK | STARLOCK |
| 28 | P02020076 | 1 | PORTELLO | SHIELD | PROTECTION | KLAPPE |
| 29 | 2040009A1 | mt. 0.50 | GUARNIZIONE | STRIP | JOINT | DICHTUNG |
| 30 | P00046252 | 1 | LEVA ALZA RUOTA SX. | LEVER | LEVIER | HEBEL |
| 31 | P1010119 | 2 | VITE | SCREW | VIS | SCHRAUBE |
| 32 | 1020009A1 | 2 | RONDELLA | WASHER | RONDELLE | SCHEIBE |
| 33 | P2020146 | 2 | COPERTONE | TYRE | PNEU | REIFEN |
| 34 | P01015152 | 2 | CERCHIONE | WHEEL HUB | JANTE | FELGE |
| 35 | P3030018 | 4 | CUSCINETTO | BEARING | PALIER | LAGER |
| 36 | P1010123 | 2 | VITE | SCREW | VIS | SCHRAUBE |
| 37 | P3040118 | 2 | BUSSOLA | BUSHING | DOUILLE | BUECHSE |
| 38 | P4020030 | 2 | PORTA RUOTA ANT. | FRONT WHEEL SUPPORT | SUPPORT POUR ROUE ANT. | RADHALTER |
| 39 | P1010125 | 3 | VITE | SCREW | VIS | SCHRAUBE |
| 40 | P01032452 | 2 | PIASTRA | PLATE | PLAQUE | PLATTE |
| 41 | P3040119 | 2 | BUSSOLA | BUSHING | DOUILLE | BUECHSE |
| 42 | P01082252 | 2 | RINFORZO | SUPPORT | SUPPORT | HALTER |
| 43 | P01082352 | 2 | RINFORZO | SUPPORT | SUPPORT | HALTER |
| 44 | P1010018 | 6 | VITE | SCREW | VIS | SCHRAUBE |
| 45 | P1010137 | 1 | VITE LAMA | BLADE SCREW | VIS DE COUTEAU | MESSERSCHRAUBE |
| 46 | P1020067 | 1 | RONDELLA SCHNORR | WASHER | RONDELLE | SCHEIBE |
| 47 | P3040200 | 1 | RONDELLA LIMITATORE | WASHER | RONDELLE | SCHEIBE |
| | P500022 | 1 | LAMA | BLADE | COUTEAU | MESSER |
| | P10130 | 2 | ANELLO FRIZIONE | LIMITED SLIP SPRING | BAGUE | RING |
| | P3040129 | 1 | ANELLO APPOGGIO | SUPPORT RING | BAGUE | RING |
| 51 | P3020020 | 1 | MOLLA | SPRING | RESSORT | FEDER |
| 52 | P3040168 | 1 | BUSSOLA LAMA | BLADE BUSHING | DOUILLE DE COUTEAU | MESSERBUECHSE |
| 53 | P1090003 | 1 | CHIAVETTA | KEY | CLAVETTE | SCHLUESSEL |
| 54 | P01082152 | 1 | FLANGIA GUIDA ALBERO | CONICAL SHAFT SUPPORT | FLASQUE | FLANSCH |
| 55 | P1010097 | 3 | VITE | SCREW | VIS | SCHRAUBE |
| 56 | P3040126 | 1 | BRONZINA GUIDA ALBERO | BUSHING | COUSSINET | MUTTER |
| 57 | P3040133 | 8 | DISTANZIALE | SPACER | DOUILLE | ABSTANDSSTUECK |
| 58 | P1020077 | 12 | RIVETTO | RIVET | RIVET | FLACHKNOPFNIET |
| 59 | P2020085 | 1 | COPRICINGHIA | BELT COVER | PROTECTION | KEILRIEMEN |
| 60 | P02006952 | 1 | SCOCCA | DECK | CHASSIS | GEHAEUSE |
| 61 | P01032552 | 2 | PIASTRA | PLATE | PLAQUE | PLATTE |
| 62 | P3040199 | 2 | PERNO | BOLT | BOULON | STIFT |
| 63 | P00046452 | 1 | LEVA ALZA RUOTA DX. | LEVER | LEVIER | HEBEL |
| 64 | P01032276 | 1 | TRAVERSINO | CHASSIS RIB. | REINFORCEMENT | VERSTEIFUNG |
| 65 | 1010024A1 | 4 | VITE | SCREW | VIS | SCHRAUBE |
| 66 | 1050002A1 | 2 | DADO | NUT | ECROU | MUTTER |
| 67 | P1050012 | 2 | DADO | NUT | ECROU | MUTTER |
| 68 | P02070852 | 1 | PARAURTI | BUMPER | HEURTOIR | SCHUTZ |
| 69 | P3040220 | 4 | DISTANZIALE | SPACER | DOUILLE | ABSTANDSSTUECK |
| 70 | P1060005 | 1 | FISSATORE | SUPPORT | SUPPORT | HALTER |
| 71 | P2020087 | 1 | COLLARE | RING | BAGUE | RING |
| 72 | P1010085 | 1 | VITE | SCREW | VIS | SCHRAUBE |
| 73 | P00015652 | 1 | RUOTA COMPL. | WHEEL ASSY. | ROUE COMPL. | RAD KOMPL. |
| * | P00011152 | 1 | CESTELLO COMPL. | GRASS BAG COMPL. | SAC RAMASSE COMPL. | GRASFANGSACK KOMPL. |