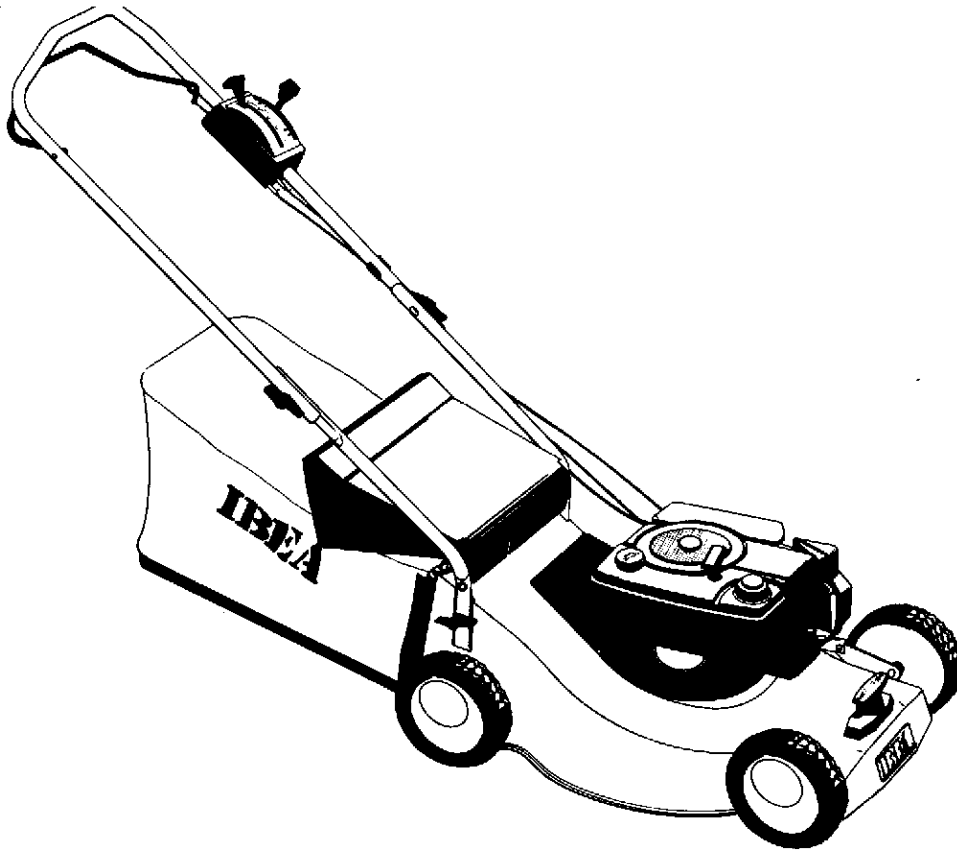


# IBEA

Serie: dal n. 910945  
Stampato n. P5090019

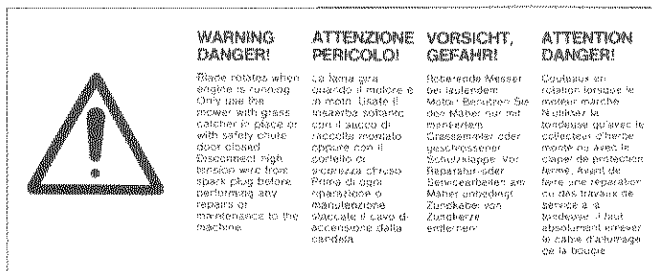
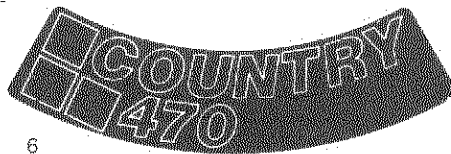
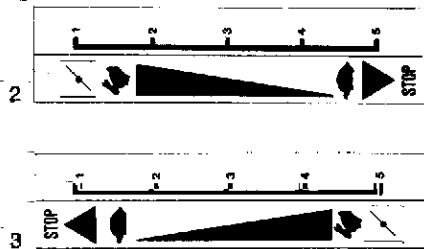
LISTA RICAMBI  
SPARE PART LIST  
ERSATZTEILLISTE  
LISTE DES PIECES DE RECHANGE



**TOSAERBA**  
**SERIE 470**



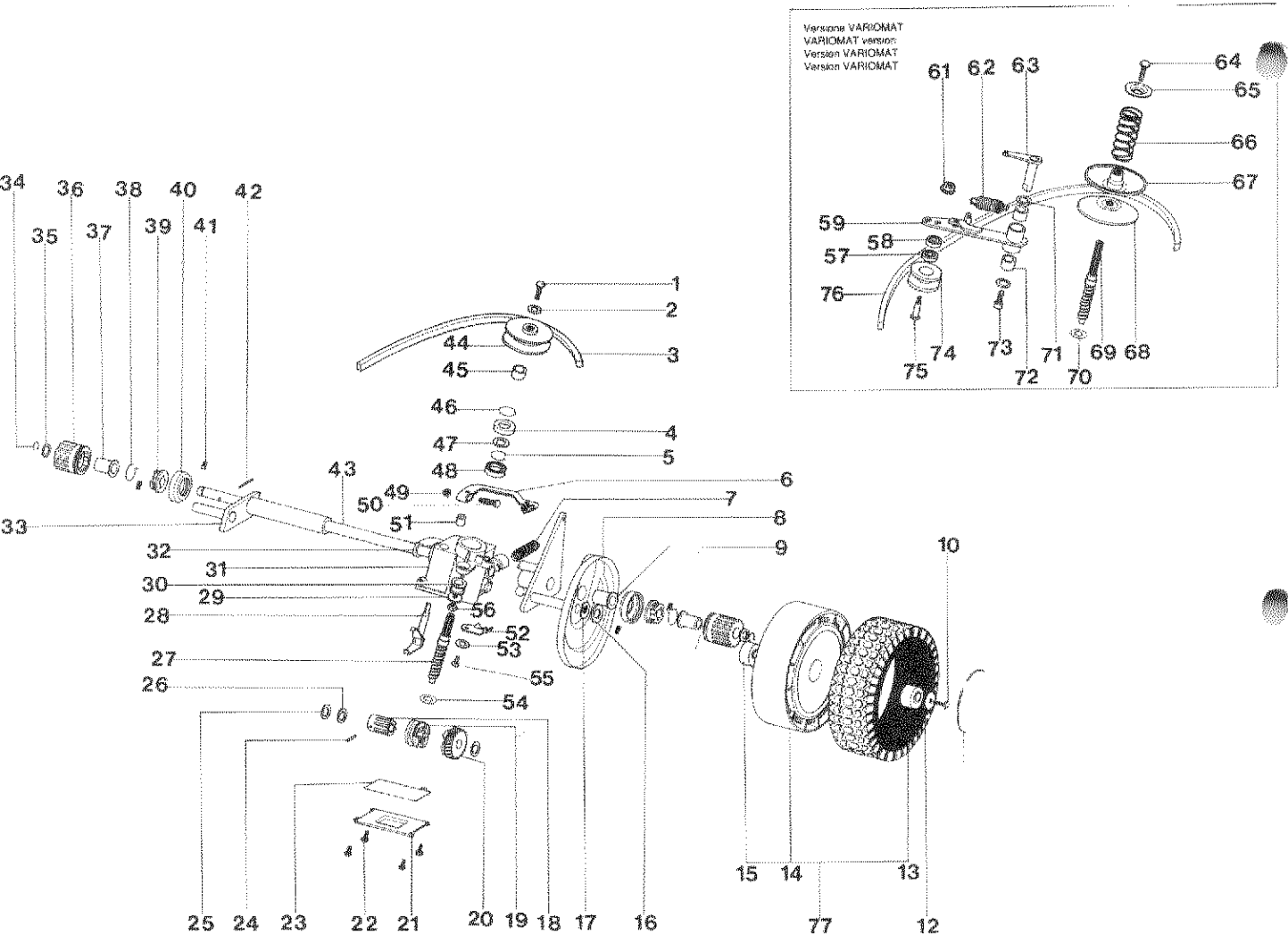
mod. **ENDURO**  
mod. **COUNTRY**  
mod. **VARIOMAT**



REF. N°	PART. N	QTY	DESCRIZIONE	DESCRIPTION	DESCRIPTION	BESCHREIBUNG
1	P5140101	1	DECALCO	LABEL	MARQUAGE	AUFKLEBER
2	P5140105	1	DECALCO	LABEL	MARQUAGE	AUFKLEBER
3	P5140104	1	DECALCO	LABEL	MARQUAGE	AUFKLEBER
4	P5140102	1	DECALCO	LABEL	MARQUAGE	AUFKLEBER
5	P5140440	1	DECALCO	LABEL	MARQUAGE	AUFKLEBER
6	P5140460	1	DECALCO	LABEL	MARQUAGE	AUFKLEBER
7	P5140480	1	DECALCO	LABEL	MARQUAGE	AUFKLEBER
8	P5140516	1	DECALCO	LABEL	MARQUAGE	AUFKLEBER
9	P5140515	1	DECALCO	LABEL	MARQUAGE	AUFKLEBER
10	P5140503	1	DECALCO	LABEL	MARQUAGE	AUFKLEBER
11	P5140109	1	DECALCO	LABEL	MARQUAGE	AUFKLEBER
12	P5140110	1	DECALCO	LABEL	MARQUAGE	AUFKLEBER
.	P5190011	1	MANUALE ISTRUZIONI	INSTRUCTION MANUAL	MODE D'EMPLOI	BEDIENUNGSANLEITUNG
.	P5110008	1	CHIAVE CANDELA 21	KEY 21	CLEF 21	SCHLÜSSEL 21
.	P2020138	1	TARGHETTA IBEA	IBEA PLAQUE	IBEA PLAQUE	IBEA AUFKLEBER

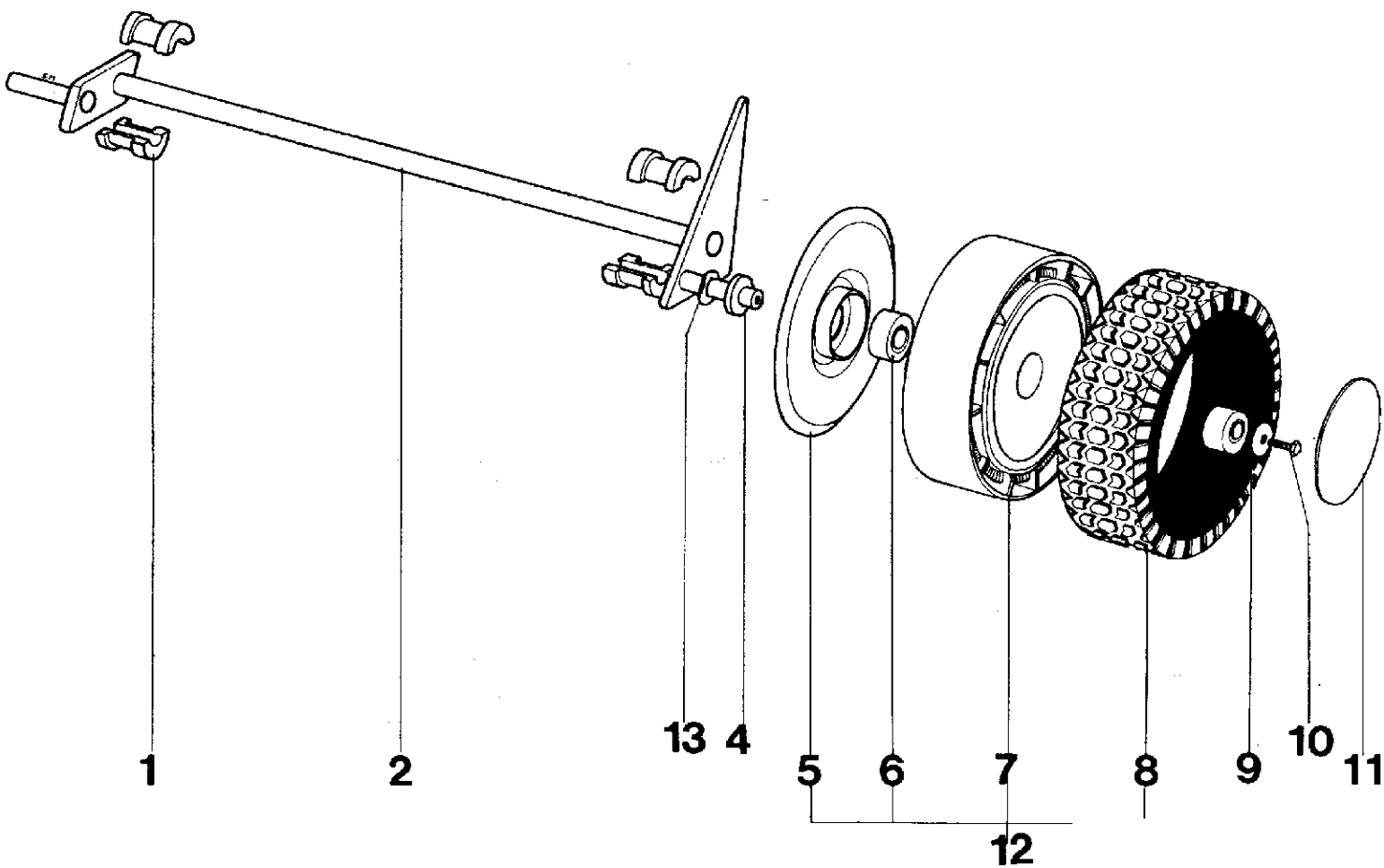
REF. N	PART. N	QTY	DESCRIZIONE	DESCRIPTION	DESCRIPTION	BESCHREIBUNG
	P2020104		SCIVOLO ERBA	DEFLECTOR	DÉFLECTEUR	LEITBLECH
2	P2020148		DEFLETTORE	SHIELD	PLAQUE DE PROTECTION	SCHUTZ
3	P5050002		CAVO	CABLE	CABLE	KABEL
4	P3020014	1	MOLLA	SPRING	RESSORT	FEDER
5	P1050011	3	DADO	NUT	ECROU	MUTTER
6		1	MOTORE	ENGINE	MOTEUR	MOTOR
7	P02068880	1	STEGOLA INF. DX	RIGHT LOWER HANDLEBAR	GUIDON INF. DROITE	HOLMUNTERTEIL R.
8			VEDI TAV. 4/5/6/7	SEE TABLE 4/5/6/7	VOIR TABLE 4/5/6/7	SIEHE TABELLE 4/5/6/7
9	1050002A1	2	DADO	NUT	ECROU	MUTTER
10	P1010070	2	VITE	SCREW	VIS	SCHRAUBE
11	P2020051	1	CARTER	BELT GUARD	PROTECTION	RIEMENABDECKUNG
12	P01027080	1	ASTINA	SHAFT	ARBRE	ACHSE
13	P3020011	1	MOLLA	SPRING	RESSORT	FEDER
14	P1060004	2	STARLOCK	STARLOCK	STARLOCK	STARLOCK
15	P1010064	2	VITE	SCREW	VIS	SCHRAUBE
16	1010026A1	2	VITE	SCREW	VIS	SCHRAUBE
17	P02070455	1	STEGOLA INF. SX	LEFT LOWER HANDLEBAR	GUIDON INF. GAUCHE	HOLMUNTERTEIL L.
18	2020050A1	4	GALLETTO	KNOB	POIGNEE	MUTTER
19	P2020058	1	PORTELLO	SHIELD	PROTECTION	KLAPPE
20	P2020053		COPERCHIO	COVER	COUVERCLE	DECKEL
21	P4080016	2	PIASTRINA	PLATE	PLAQUE	PLATTE
22	1060002A1	2	STARLOCK	STARLOCK	STARLOCK	STARLOCK
23	3040010A1	2	PERNO	BOLT	BOULON	STIFT
24	P1010073	4	VITE	SCREW	VIS	SCHRAUBE
25	P02028155	1	ASTA	SHAFT	ARBRE	ACHSE
26	P2020062	2	COPRIMOZZO	COVER	COUVERCLE	DECKEL
27	1010018A1	2	VITE	SCREW	VIS	SCHRAUBE
28	1020007A1	2	RONDELLA	WASHER	RONDELLE	SCHIBE
29	P2020078	2	COPERTONE	TYRE	PNEU	REIFEN
30	P2020079	2	CERCHIO	WHEEL HUB	JANTE	FELGE
31	P3030013	4	CUSCINETTO	BEARING	PALIER	LAGER
32	P2020071	2	COPRIRUOTA	WHEEL COVER	PROTECTION	ABDECKUNG
33	P1010050	1	VITE LAMA	BLADE SCREW	VIS DE COUTEAU	MESSERSCHRAUBE
34	P1020067		RONDELLA SCHNORR	WASHER	RONDELLE	SCHIBE
35	1110002A1		RONDELLA	WASHER	RONDELLE	SCHIBE
36	P3040101		BUSSOLA LAMA	BLADE BUSHING	DOUILLE DE COUTEAU	MESSERBUCHSE
37	P2020088	2	DISTANZIALE	SPACER	DOUILLE	ABSTANDSSTUECK
38	P1020050	2	RONDELLA ELASTICA	SPRING WASHER	RONDELLE ÉLAST.	FEDERSCHIBE
39	P00030380		ASSALE ANT.	FRONT AXLE	ESSIEU ANT.	ACHSE
40	P1090003		CHIAVETTA	KEY	CLAVETTE	SCHLUESSEL
41	P4080015		PIASTRINA	PLATE	PLAQUE	PLATTE
42	P1010018		VITE	SCREW	VIS	SCHRAUBE
43	1020007A1		RONDELLA	WASHER	RONDELLE	SCHIBE
44	P2020055		CHIOCCIOLA	NUT	ECROU	MUTTER
45	P1010073	4	VITE	SCREW	VIS	SCHRAUBE
46	1020010A1		SPESSORE	WASHER	RONDELLE	SCHIBE
47	P1070007		SEEGER	CIRCLIP	SEEGER	SEEGER
48	P3030011		CUSCINETTO	BEARING	PALIER	LAGER
48	P1010097	2	VITE 8x75 (QUANTUM)	SCREW 8x75 (QUANTUM)	VIS 8x75 (QUANTUM)	SCHRAUBE 8x75 (QUANTUM)
48	P1010098		VITE 8x100 (QUANTUM)	SCREW 8x100 (QUANTUM)	VIS 8x100 (QUANTUM)	SCHRAUBE 8x100 (QUANTUM)
49	P1010097	3	VITE 8x75 (TECNA)	SCREW 8x75 (TECNA)	VIS 8x75 (TECNA)	SCHRAUBE 8x75 (TECNA)
50	P4060010		MOLLA	SPRING	RESSORT	FEDER
51	P02005180		SCOCCA	DECK	CHASSIS	GEHAUSE
52	P00040080		MANIGLIA	LEVER	LEVIER	HEBEL
53	P1010071		VITE	SCREW	VIS	SCHRAUBE
54	P3160032		SACCO	BAG	SAC RAMASSE GAZON	GRASFANGSACK
55	P01070943		RICCIOLO	ROPE GUIDE	GUIDE-FIL	SEILFUHRUNG
56	P00011280		TELAIO	FRAME	MONTURE	GESTELL
57	P1010081		VITE	SCREW	VIS	SCHRAUBE
58	1020007A1	1	RONDELLA	WASHER	RONDELLE	SCHIBE
59	1020014A1	3	RONDELLA	WASHER	RONDELLE	SCHIBE
60	P4050018	1	LAMA	BLADE	COUTEAU	MESSER
61	P00015581	1	RUOTA COMPLETA	WHEEL ASSY.	ROUE COMPL.	RAD KOMPL.
*	P00011180		CESTELLO COMPLETO	GRASS BAG COMPL.	SAC RAMASSE GAZON COMPL.	GRASFANGSACK KOMPL.

Vista assale posteriore e riduttore COUNTRY-VARIOMAT  
 Rear axle and gear box COUNTRY-VARIOMAT  
 Essieu arrière et transmission COUNTRY-VARIOMAT  
 Hinterachse und Fahrgetriebe COUNTRY-VARIOMAT



REF. N°	PART. N°	QTY	DESCRIZIONE	DESCRIPTION	DESCRIPTION	BESCHREIBUNG
1	1010018A1	1	VITE	SCREW	VIS	SCHRAUBE
2	1020007A1	1	RONDELLA	WASHER	RONDELLE	SCHEIBE
3	P3010022	1	CINGHIA	BELT	COURROIE	RIEMEN
4	P3170010	1	PARAOLIO	OIL SEAL	JOINT D'ARBRE	WELLENDICHTRING
5	P1070004	1	SEEGER	CIRCLIP	SEEGER	WELLENDICHTRING
6	P4070011	1	LEVA	LEVER	LEVIER	HEBEL
7	P3020010	1	MOLLA	SPRING	RESSORT	FEDER
8	P4030011	2	COPRIRUOTA	WHEEL COVER	PROTECTION	ABDECKUNG
9	P2020070	2	BUSSOLA	BUSHING	DOUILLE	BUECHSE
10	1010018A1	2	VITE	SCREW	VIS	SCHRAUBE
11	P2020062	2	COPRIMOZZO	COVER	COUVERCLE	DECKEL
12	1020007A1	2	RONDELLA	WASHER	RONDELLE	SCHEIBE
13	P2020078	2	COPERTONE	TYRE	PNEU	REIFEN
14	P2020081	2	CERCHIO	WHEEL HUB	JANTE	FELGE
15	P3030013	4	CUSCINETTO	BEARING	PALIER	LAGER
16	P2020088	2	DISTANZIALE	SPACER	DOUILLE	ABSTANDSSTUECK
17	P1020050	2	RONDELLA ELASTICA	SPRING WASHER	RONDELLE ELAST.	FEDERSCHIBE
18	P3050030	1	BUSSOLA SCANALATA	BUSHING	DOUILLE CANNILLÉE	KEILHUELSE
19	P00038099	1	INNESTO	SFLECTOR COLLAR	MANCHON	SCHALTBUECHSE
20	P00038199	1	CORONA	WORM WHEEL	ROUE POUR VIS S. FIN	SCHNECKENRAD
21	P4110001	1	COPERCHIO	COVER	COUVERCLE	DECKEL
22	P1010076	4	VITE	SCREW	VIS	SCHRAUBE
23	P3170014	1	OR	O RING	JOINT TORIQUE	GUMMIRING
24	P1080007	1	SPINA ELASTICA	PIN	GOUILLE ELAST	STIFT
25	1020020A1	2	SPESSORE	WASHER	RONDELLE	SCHEIBE
26	P1020051	1	SPESSORE	WASHER	RONDELLE	SCHEIBE
27	P3040042	1	VITE SENZA FINE	WORM GEAR	VIS S. FIN	SCHNECKE
28	P3040041	1	FORCELLA INNESTO	FORK	FOURCHE	GABEL
29	P1020054	1	RONDELLA	WASHER	RONDELLE	SCHEIBE
30	P2040010	1	GOMMINO	RUBBER TUBE	TUBE DE PROTECTION	SCHUTZHUELLE
31	P00039199	1	SCATOLA	HOUSING	BOITE	SCHALE
32	P3170011	2	PARAOLIO	OIL SEAL	JOINT D'ARBRE	WELLENDICHTRING
33	P00030081	1	ASSALE POST.	REAR AXLE	ESSIEU POST.	ACHSE
34	1070001A1	2	SEEGER	CIRCLIP	SEEGER	SEEGER
35	1020020A1	2	SPESSORE	WASHER	RONDELLE	SCHEIBE
36	P3050031	2	PIGNONE	PINION	PIGNON	RITZEL
37	P2020059	2	BUSSOLA	BUSHING	DOUILLE	BUECHSE
38	P3020012	2	MOLLA	SPRING	RESSORT	FEDER
39	P2100001	2	CRICCHETTO	DRIVER	CLIQUET	MITNEHMER
40	P2020060	2	COPRIPIGNONE	CAGE	CAGE	KAFIG
41	P2110001	4	SALTERELLO	CAM	CLIQUET	NOCKEN
42	P1080004	2	SPINA	PIN	GOUILLE	STIFT
43	P3040047	1	ALBERO	SHAFT	ARBRE	WELLE
44	P3040048	1	PULEGGIA	PULLEY	POULIE	RIEMENSCHIBE
45	P3040049	1	DISTANZIALE	SPACER	DOUILLE	ABSTANDSSTUECK
46	P3170013	1	OR	O RING	JOINT TORIQUE	GUMMIRING
47	P1020051	2	RONDELLA	WASHER	RONDELLE	SCHEIBE
48	P3030010	1	CUSCINETTO	BEARING	PALIER	LAGER
49	1050003A1	1	DADO	NUT	ECROU	MUTTER
50	P1010075	1	VITE	SCREW	VIS	SCHRAUBE
51	P3170012	1	PARAOLIO	OIL SEAL	JOINT D'ARBRE	WELLENDICHTRING
52	P4030010	1	COPERCHIETTO MOLLA	COVER	COUVERCLE	DECKEL
53	P1020076	1	RONDELLA	WASHER	RONDELLE	SCHEIBE
54	P1020053	1	SPESSORE	WASHER	RONDELLE	SCHEIBE
55	P1010076	1	VITE	SCREW	VIS	SCHRAUBE
56	P1010073	1	VITE	SCREW	VIS	SCHRAUBE
57	P3030014	1	CUSCINETTO	BEARING	PALIER	LAGER
58	P3040064	1	DISTANZIALF	SPACER	DOUILLE	ABSTANDSSTUECK
59	P4010040	1	TENDICINGHIA	BELT TENSIONER	TENDEUR POUR COURROIE	RIEMENSANNER
60	P1050011	1	DADO	NUT	ECROU	MUTTER
61	P3020014	1	MOLLA	SPRING	RESSORT	FEDER
62	P4010041	1	PERNO	BOLT	BOULON	STIFT
63	P1010066	1	VITE	SCREW	VIS	SCHRAUBE
64	P4010044	1	RONDELLA PER MOLLA	WASHER	RONDELLE	SCHEIBE
65	P3020015	1	MOLLA	SPRING	RESSORT	FEDER
66	P3040050	1	SEMI PULEGGIA SUP.	UPPER HALF PULLEY	SEMI POULIE SUP.	GETEILTE RIEMENSCHIBE
67	P3040051	1	SEMI PULEGGIA INF.	LOWER HALF PULLEY	SEMI POULIE INF.	GETEILTE RIEMENSCHIBE
68	P3040043	1	VITE SENZA FINE	WORM GEAR	VIS S. FIN	SCHNECKE
69	P1020053	1	RONDELLA	WASHER	RONDELLE	SCHEIBE
70	1020020A1	2	RONDELLA	WASHER	RONDELLE	SCHEIBE
71	1030002A1	2	BUSSOLA	BUSHING	DOUILLE	BUECHSE
72	P1010074	1	VITE	SCREW	VIS	SCHRAUBE
73	P3040063	1	PULEGGIA	PULLEY	POULIE	RIEMENSCHIBE
74	P3040068	1	PERNO	BOLT	BOULON	STIFT
75	P3010011	1	CINGHIA	BELT	COURROIE	RIEMEN
76	P00015281	1	RUOTA COMPLETA	WHEEL ASSY.	ROUE COMPL.	RAD KOMPL.
77	P00078684	1	RIDUTTORE x MONOMARCIA COMPL.	GEAR BOX ASSY. 1 SPEED	RÉDUCTEUR COMPL. 1 VITESSE	UNTERSETZUNGSGETRIEBE 1 GANG
*	P00078682	1	RIDUTTORE x VARIOMAT COMPL.	GEAR BOX ASSY. x VARIOMAT	RÉDUCTEUR COMPL. x VARIOMAT	UNTERSETZUNGSGETRIEBE x VARIOMAT

Vista assale posteriore ENDURO  
 Rear axle ENDURO  
 Essieu arrière ENDURO  
 Hinterachse ENDURO



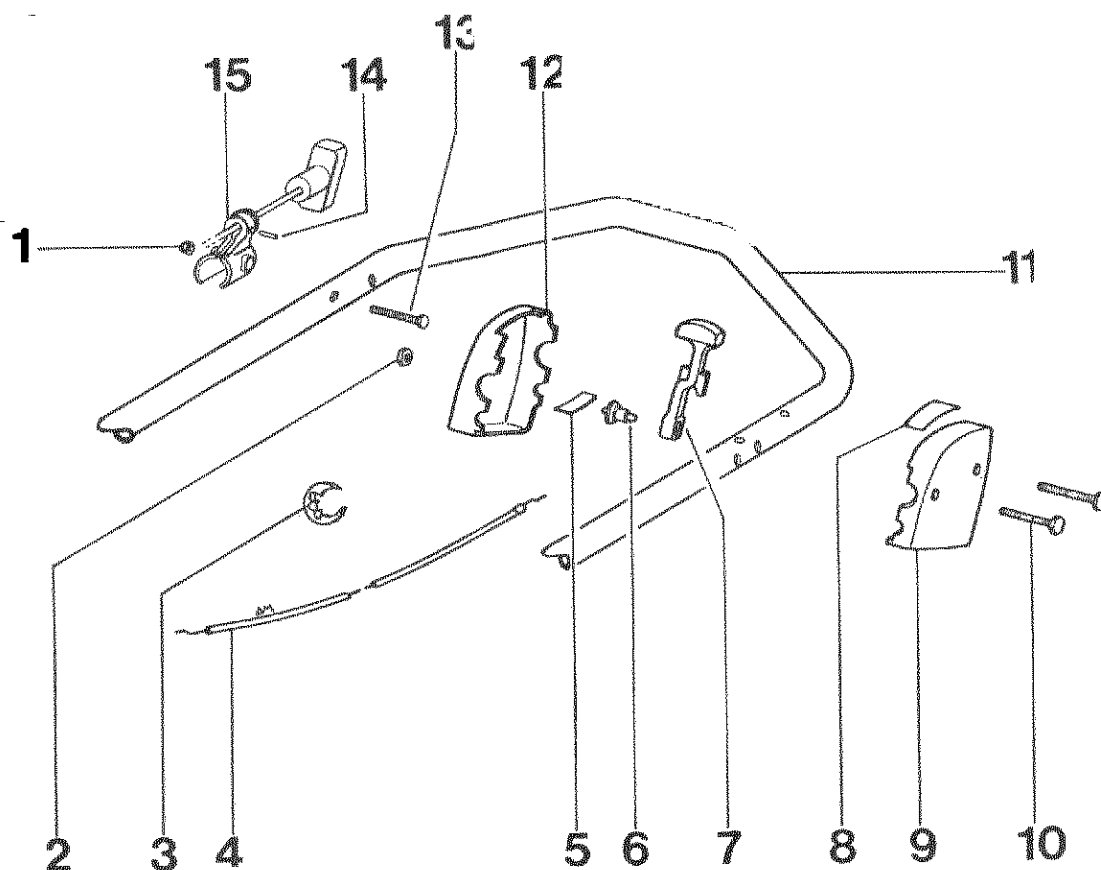
REF. N°	PART. N°	QTY	DESCRIZIONE	DESCRIPTION	DESCRIPTION	BESCHREIBUNG
1	P2020056	4	SEMIBUSSOLA	HALF BUSHING	SEMI DOUILLE	GETEILTE BUECHSE
2	P00030083	1	ASSALE POST.	REAR AXLE	ESSIEU POST.	ACHSE
4	P2020088	2	DISTANZIALE	SPACER	DOUILLE	ABSTANDSSTUECK
5	P2020071	2	COPRIRUOTA	WHEEL COVER	PROTECTION	ABDECKUNG
6	P3030013	4	CUSCINETTO	BEARING	PALIER	LAGER
7	P2020079	2	CERCCHIO	WHEEL HUB	JANTE	FELGE
8	P2020078	2	COPERTONE	TYRE	PNEU	REIFEN
9	1020007A1	2	RONDELLA	WASHER	RONDELLE	SCHEIBE
10	1010018A1	2	VITE	SCREW	VIS	SCHRAUBE
11	P2020062	2	COPRIMOZZO	COVER	COUVERCLE	DECKEL
12	P00015181	1	RUOTA POST. COMPL.	REAR WHEEL ASSY.	ROUE POST. COMPL.	RAD KOMPL.
13	P1020050	2	RONDELLA ELAST.	SPRING WASHER	RONDELLE ELAST.	FEDERSCHEIBE

## Vista stegola superiore e comandi ENDURO

## Upper handle and controls ENDURO

## Mancheron partie supérieure et éléments de commande ENDURO

## Lenkeroberteil und Bedienungselemente ENDURO



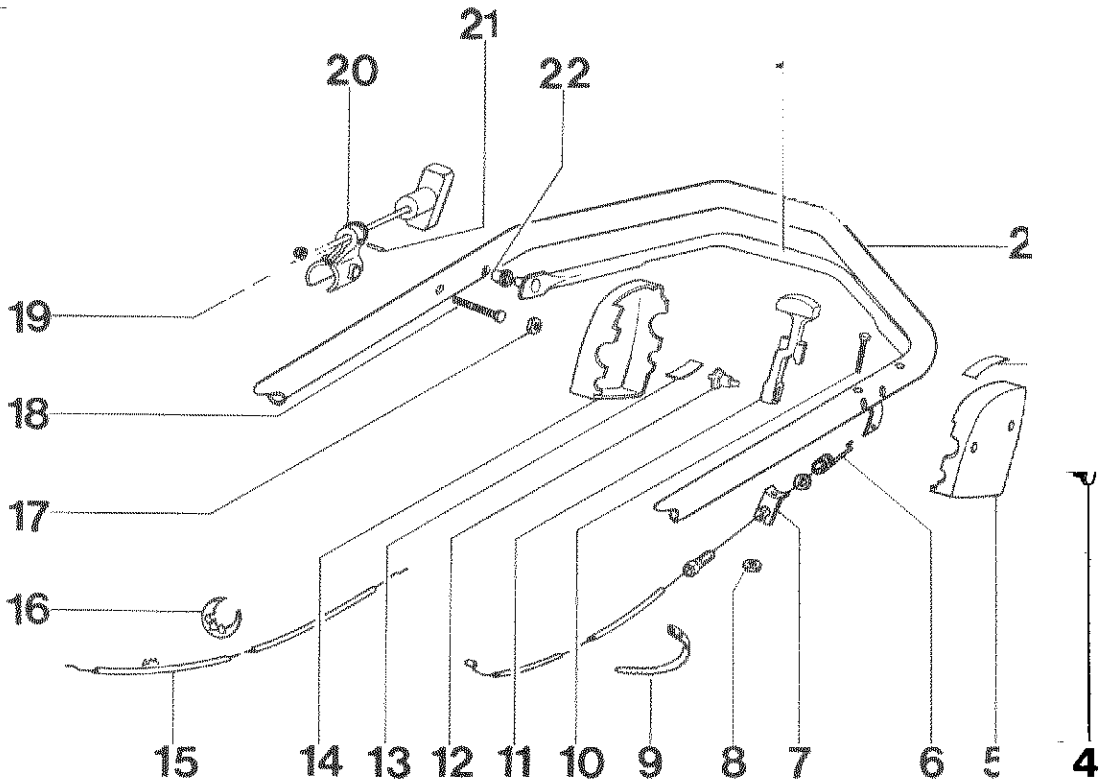
REF. N°	PART. N°	QTY	DESCRIZIONE	DESCRIPTION	DESCRIPTION	BESCHREIBUNG
1	1050002A1	1	DADO	NUT	ECROU	MUTTER
2	1050003A1	2	DADO	NUT	ECROU	MUTTER
3	P2020080	1	FERMA CAVO	CLIP	CLIP	HALTER
4	P5020032	1	CAVO ACCELERATORE x B&S QUANTUM 4721	THROTTLE CABLE x B&S QUANTUM 4721	CABLE DE GAZ x B&S QUANTUM 4721	GASHEBEL x B&S QUANTUM 4721
4	P5020024	1	CAVO ACCELERATORE x B&S 2 TEMPI 4702	THROTTLE CABLE x B&S 2 STROKE 4702	CABLE DE GAZ x B&S 2 TEMPS 4702	GASHEBEL x B&S 2 TAKT 4702
5	P4010059	1	MOLLA	SPRING	RESSORT	FEDER
6	P2020108	1	PERNO	BOLT	BOULON	STIFT
7	P00065099	1	LEVA	LEVER	LEVIER	HEBEL
8	P5140515	1	DECALCO x B&S QUANTUM	DECAL x B&S QUANTUM	MARQUAGE x B&S QUANTUM	AUFKLEBER x B&S QUANTUM
8	P5140516	1	DECALCO x B&S 2 TEMPI	DECAL x B&S 2 TEMPI	MARQUAGE x B&S 2 TEMPI	AUFKLEBER x B&S 2 TEMPI
9	P2020107	1	SEMI SCATOLA SX	HOUSING LEFT	BOITE GAUCHE	SCHALE L
10	P1010102	2	VITE	SCREW	VIS	SCHRAUBE
11	P02070143	1	STEGOLA SUP.	UPPER HANDLEBAR	GUIDON SUP.	OB. FUEHRUNGSHOLM
12	P2020106	1	SEMI SCATOLA DX	HOUSING RIGHT	BOITE DROITE	SCHALE R
13	101002A1	1	VITE	SCREW	VIS	SCHRAUBE
14	P1080008	1	SPINA	PIN	GOUPILLE	STIFT
15	P00064599	1	SUPPORTO	SUPPORT	SUPPORT	HALTER
*	P00036099	1	SCATOLA ACC. COMPL.	THROTTLE ASSY.	BOITE DE GAZ COMPL.	GASHEBEL KOMPL.

Vista stegola superiore e comandi COUNTRY

Upper handle and controls COUNTRY

Mancheron partie supérieur et éléments de commande COUNTRY

Lenkeroberteil und Bedienungselemente COUNTRY



REF N°	PART. N°	QTY	DESCRIZIONE	DESCRIPTION	DESCRIPTION	BESCHREIBUNG
1	P02042181		MANIGLIA TRAZIONE	TRACTION LEVER	LEVIER DE TRACTION	ANTRIEBSHEBEL
2	P02070143	1	STEGOLA SUPERIORE	UPPER HANDLEBAR	GUIDON SUP.	OB. FUHRUNGSHOLM
3	P5140515	1	DECALCO	DECAL	MARQUAGE	AUFKLEBER
4	P5140516	1	DECALCO	DECAL	MARQUAGE	AUFKLEBER
5	P1010102	2	VITE	SCREW	VIS	SCHRAUBE
6	P2020107	1	SEMI SCATOLA SX	HOUSING LEFT	BOITE GAUCHE	SCHALE L.
7	P5010029		CAVO TRAZIONE	TRACTION CABLE	CABLE DE TRACTION	ANTRIEBSKABEL
8	P4010060		PIASTRINA	PLATE	PLAQUE	PLATTE
9	1050003A1		DADO	NUT	ECROU	MUTTER
10	5040001A1		FASCETTA	CLAMP	BRIDE	RAPPBAND
11	P1010078		VITE	SCREW	VIS	SCHRAUBE
12	P00065099		LEVA	LEVER	LEVIER	HEBEL
13	P2020108	1	PERNO	BOLT	BOULON	STIFT
14	P4010059	1	MOLLA	SPRING	RESSORT	FEDER
15	P2020106	1	SEMI SCATOLA DX	HOUSING RIGHT	BOITE DROITE	SCHALE R.
16	P5020032	1	CAVO ACC. x 4727	THROTTLE CABLE x 4727	CABLE DE GAZ x 4727	GASHEBEL x 4727
17	P2020080	1	FERMA CAVO	CLIP	CLIP	HALTER
18	1050003A1	2	DADO	NUT	ECROU	MUTTER
19	1010002A1	2	VITE	SCREW	VIS	SCHRAUBE
20	1050002A1	1	DADO	NUT	ECROU	MUTTER
21	P00064599	1	SUPPORTO	SUPPORT	SUPPORT	HALTER
22	P1080008		SPINA	PIN	GOUILLE	STIFT
	P2020153		BUSSOLA	BUSHING	DOUILLE	BUECHSE
	P00035099		SCATOLA ACC. COMPL.	THROTTLE ASSY.	BOITE DE GAZ COMPI.	GASHEBEL KOMPL.

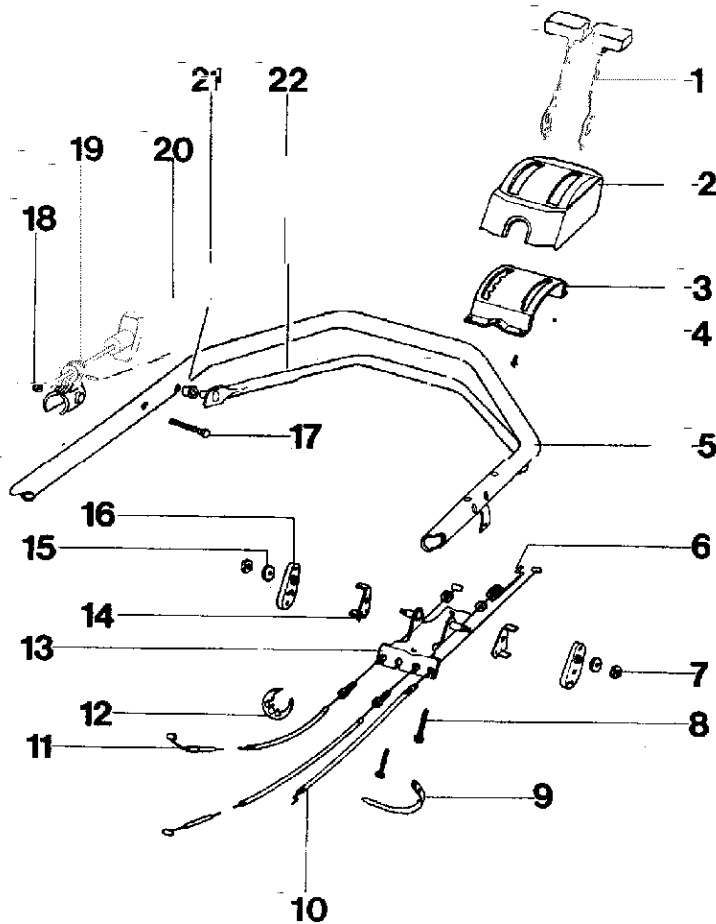


Vista stegola superiore e comandi VARIOMAT

Upper handle and controls VARIOMAT

Mancheron partie supérieur et éléments de commande VARIOMAT

Lenkeroberteil und Bedienungselemente VARIOMAT



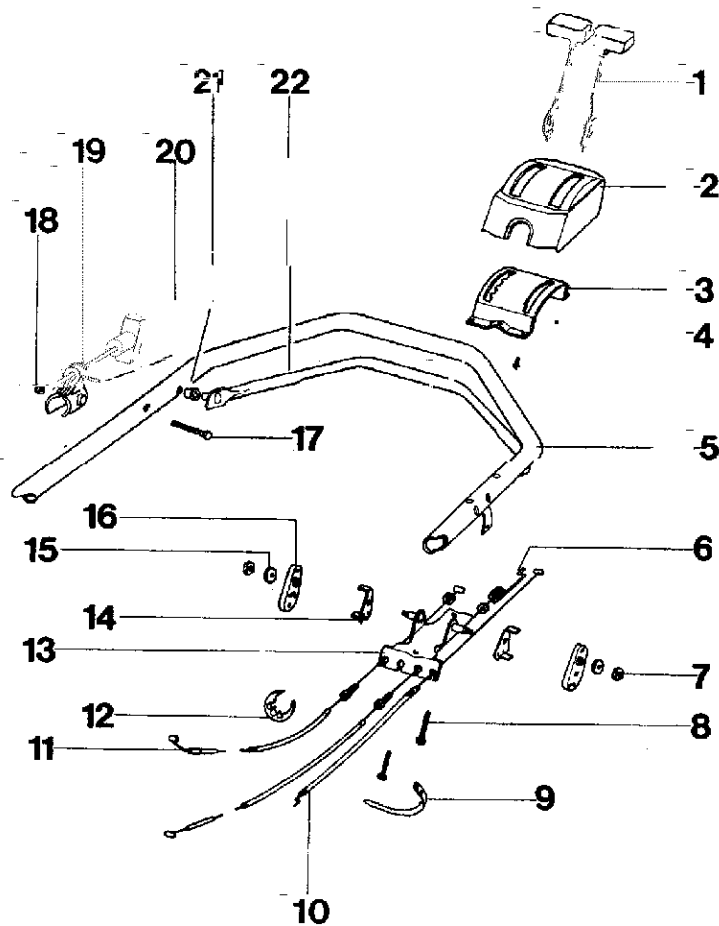
REF. N°	PART N°	QTY	DESCRIZIONE	DESCRIPTION	DESCRIPTION	BESCHREIBUNG
	P00044982	2	LEVA COMANDI	CONTROL LEVER	LEVIER DE COMMANDE	STEUERHEBEL
2	P2020065	1	SCATOLA COMANDI	CONTROL HOUSING	BOITE DE COMMANDE	STEUERGEHAEUSE
3	P4020011	1	PIASTRA	PLATE	PLAQUE	PLATTE
4	P1010061	4	VITE	SCREW	VIS	SCHRAUBE
5	P02070143	1	STEGOLA SUPERIORE	UPPER HANDLEBAR	GUIDON SUP.	OB. FUEHRUNGSHOLM
6	P5010032	1	CAVO TRAZIONE	TRACTION CABLE	CABLE DE TRACTION	ANTRIEBSKABEL
7	P1050007	2	DADO	NUT	ECROU	MUTTER
8	P1010068	2	VITE	SCREW	VIS	SCHRAUBE
9	5040001A1	1	FASCETTA	CLAMP	BRIDE	RAPPBAND
10	P5020035	1	CAVO ACC. x 4717	THROTTLE CABLE x 4717	CABLE DE GAZ x 4717	GASHEBEL x 4717
10	P5020030	1	CAVO ACC. x 4712	THROTTLE CABLE x 4712	CABLE DE GAZ x 4712	GASHEBEL x 4712
11	P5010011	1	CAVO VARIATORE	SPEED VARIATOR CABLE	CABLE DE VITESSE	KABEL-GESCHWINDIGKEIT
12	P2020080	1	FERMA CAVO	CLIP	CLIP	HALTER
13	P4020010	1	PORTA SCATOLA	SUPPORT	SUPPORT	HALTER
14	P4020012	2	PIASTRINA	PLATE	PLAQUE	PLATTE
15	1020007A1	2	RONDELLA	WASHER	RONDELLE	SCHIEBE
16	P2020067	2	GUIDA CAVO	CABLE GUIDE	GUIDE CABLE	KABELFUEHRUNG
17	1010002A1	1	VITE	SCREW	VIS	SCHRAUBE
18	1050002A1	1	DADO	NUT	ECROU	MUTTER
19	P00064599	1	SUPPORTO	SUPPORT	SUPPORT	HALTER
20	P1080008	1	SPINA	PIN	GOUPILLE	STIFT
21	P2020153	2	BUSSOLA	BUSHING	DOUILLE	BUECHSE
22	P02042181	1	MANIGLIA TRAZIONE	TRACTION LEVER	LEVIER DE TRACTION	ANTRIEBSHEBEL

## Vista stegola superiore e comandi VARIOMAT

## Upper handle and controls VARIOMAT

## Mancheron partie supérieur et éléments de commande VARIOMAT

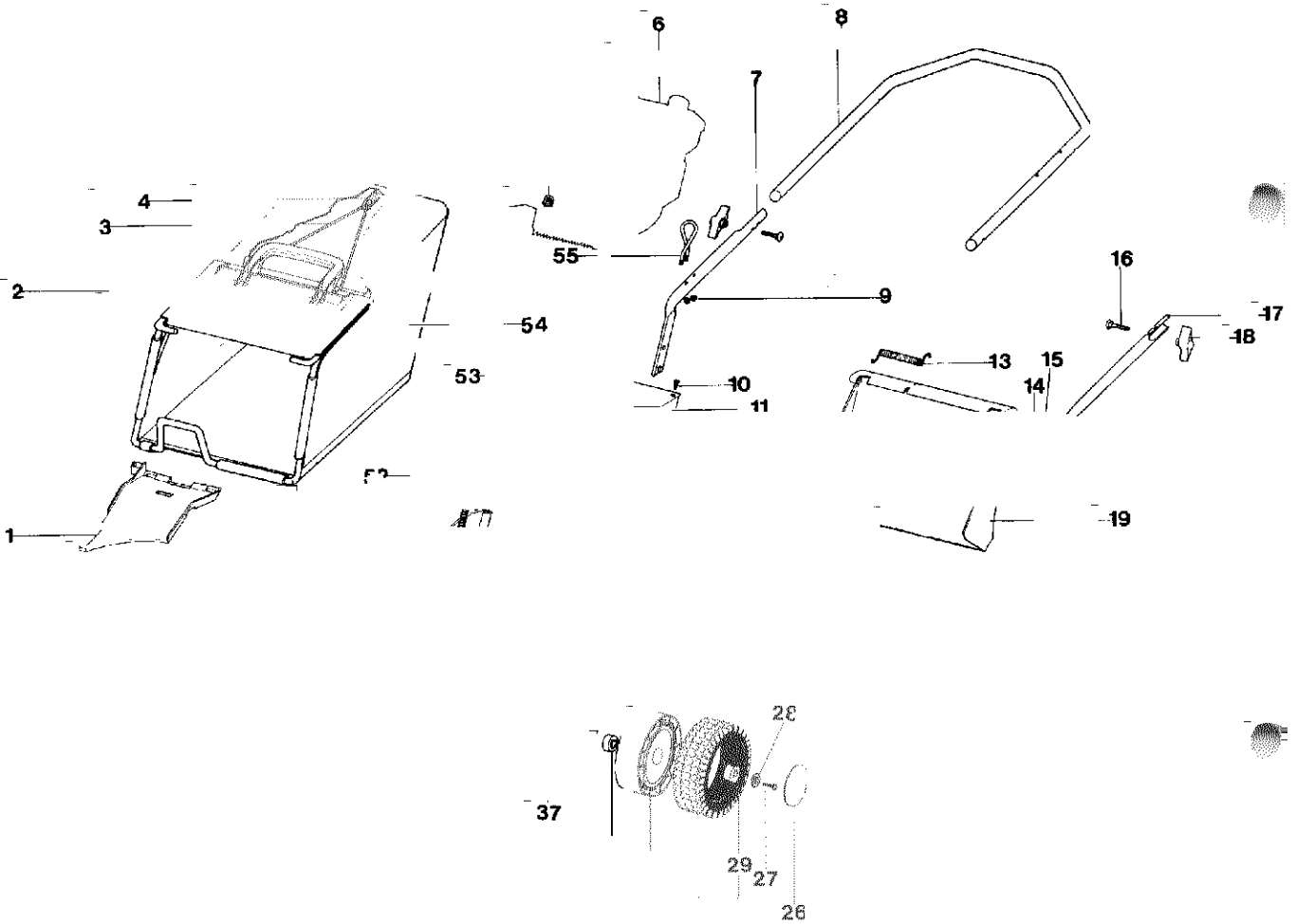
## Lenkeroberteil und Bedienungselemente VARIOMAT



REF. N°	PART N°	QTY	DESCRIZIONE	DESCRIPTION	DESCRIPTION	BESCHREIBUNG
	P00044982	2	LEVA COMANDI	CONTROL LEVER	LEVIER DE COMMANDE	STEUERHEBEL
2	P2020065	1	SCATOLA COMANDI	CONTROL HOUSING	BOITE DE COMMANDE	STEUERGEHAEUSE
3	P4020011	1	PIASTRA	PLATE	PLAQUE	PLATTE
4	P1010061	4	VITE	SCREW	VIS	SCHRAUBE
5	P02070143	1	STEGOLA SUPERIORE	UPPER HANDLEBAR	GUIDON SUP.	OB. FUEHRUNGSHOLM
6	P5010032	1	CAVO TRAZIONE	TRACTION CABLE	CABLE DE TRACTION	ANTRIEBSKABEL
7	P1050007	2	DADO	NUT	ECROU	MUTTER
8	P1010068	2	VITE	SCREW	VIS	SCHRAUBE
9	5040001A1	1	FASCETTA	CLAMP	BRIDE	RAPPBAND
10	P5020035	1	CAVO ACC. x 4717	THROTTLE CABLE x 4717	CABLE DE GAZ x 4717	GASHEBEL x 4717
10	P5020030	1	CAVO ACC. x 4712	THROTTLE CABLE x 4712	CABLE DE GAZ x 4712	GASHEBEL x 4712
11	P5010011	1	CAVO VARIATORE	SPEED VARIATOR CABLE	CABLE DE VITESSE	KABEL-GESCHWINDIGKEIT
12	P2020080	1	FERMA CAVO	CLIP	CLIP	HALTER
13	P4020010	1	PORTA SCATOLA	SUPPORT	SUPPORT	HALTER
14	P4020012	2	PIASTRINA	PLATE	PLAQUE	PLATTE
15	1020007A1	2	RONDELLA	WASHER	RONDELLE	SCHIEBE
16	P2020067	2	GUIDA CAVO	CABLE GUIDE	GUIDE CABLE	KABELFUEHRUNG
17	1010002A1	1	VITE	SCREW	VIS	SCHRAUBE
18	1050002A1	1	DADO	NUT	ECROU	MUTTER
19	P00064599	1	SUPPORTO	SUPPORT	SUPPORT	HALTER
20	P1080008	1	SPINA	PIN	GOUPILLE	STIFT
21	P2020153	2	BUSSOLA	BUSHING	DOUILLE	BUECHSE
22	P02042181	1	MANIGLIA TRAZIONE	TRACTION LEVER	LEVIER DE TRACTION	ANTRIEBSHEBEL

Tav. 1

Vista generale ENDURO-COUNTRY-VARIOMAT  
Complete machine ENDURO-COUNTRY-VARIOMAT  
Vus d'ensemble ENDURO-COUNTRY-VARIOMAT  
Gesamtansicht ENDURO-COUNTRY-VARIOMAT



60